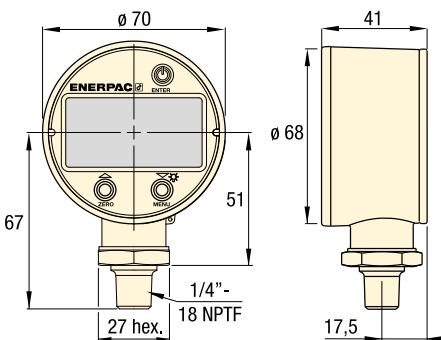


Digital Hydraulic Pressure Gauge

▼ Gauge shown: DGR2



- Rated for system pressure up to 1380 bar
- Displays in bar, psi, MPa and kg/cm²
- Zero reset - ensures that gauge reads actual pressure
- IP65 protection, UL listed, CE and RoHS compliant
- Batteries included, condition indicator on read-out
- Shut-off selectable – menu driven
- Back-lit readout allows easy reading in less than ideal lighting
- Protective cover included.



| High Pressure Rating (bar) | | High Pressure Rating (MPa) | | Model Number | High Pressure Rating (psi) | | High Pressure Rating (kg/cm ²) | |
|-------------------------------|------------|-------------------------------|------------|--------------|-------------------------------|------------|---|------------|
| Range | Resolution | Range | Resolution | | Range | Resolution | Range | Resolution |
| 0-1380 | 0,1 | 0-140 | 0,01 | DGR2 | 0-20.000 | 1 | 0-1400 | 0,1 |

Weight: 0,23 kg.

DGR Series

Pressure Range:

0 - 1380 bar

Voltage:

3 Volt (battery)

Accuracy, % of full scale:

± 0,25%



Gauge Adaptor

For easy gauge installation into almost any system, Enerpac offers a complete line of gauge adaptors. Maximum operating pressure 700 bar.

Page: 143

▼ Greater accuracy and easier to read: enhance your ability to monitor and control hydraulic system pressure up to 1380 bar.

