

HCG-Series, Single-Acting, Gravity Return Cylinders

- Hardened surface resists side-loading and cyclic wear
- Designed to withstand 10% side-load of maximum capacity ¹⁾
- Stop ring to prevent plunger blow-out
- Weather protected, inside and out
- Upper and lower replaceable bearings enclose the cylinder plunger for support throughout the stroke
- Certified lifting eyes, base mounting holes and collar threads.
- Standard collar thread up to 250 ton models. Collar thread is optional on 300 ton models and higher.

SELECTION CHART 50 - 300 TON HCG-MODELS

For 400 - 1000 ton models, see pages 50-51.

For full product features see pages 44-45.

Cylinder Capacity	Stroke	Model Number	Maximum Cylinder Capacity at 700 bar ton (kN)	Cylinder Effective Area	Oil Capacity	Collapsed Height
ton	(mm)			(cm ²)	(cm ³)	A (mm)
50	50	HCG502	56 (550)	78,5	393	183
	100	HCG504			785	233
	150	HCG506 ¹⁾			1178	283
	200	HCG508			1571	346
	250	HCG5010			1963	396
	300	HCG5012 ¹⁾			2356	446
100	50	HCG1002	102 (1002)	143,1	716	202
	100	HCG1004			1431	252
	150	HCG1006			2147	302
	200	HCG1008			2863	379
	250	HCG10010			3578	429
	300	HCG10012			4294	479
150	50	HCG1502	153 (1497)	213,8	1069	220
	100	HCG1504			2138	270
	150	HCG1506			3207	320
	200	HCG1508			4276	397
	250	HCG15010			5346	447
	300	HCG15012			6415	497
200	50	HCG2002	202 (1985)	283,5	1418	231
	100	HCG2004			2835	281
	150	HCG2006			4253	331
	200	HCG2008			5671	408
	250	HCG20010			7088	458
	300	HCG20012			8506	508
250	50	HCG2502	259 (2541)	363,1	1815	241
	100	HCG2504			3631	291
	150	HCG2506			5446	341
	200	HCG2508			7261	431
	250	HCG25010			9076	481
	300	HCG25012			10.892	531
300	50	HCG3002	310 (3036)	433,7	2169	296
	100	HCG3004			4337	346
	150	HCG3006			6506	396
	200	HCG3008			8675	446
	250	HCG30010			10.843	496
	300	HCG30012			13.012	546

Collar Thread * (mm)		
Model / Capacity ton	Thread Size	Thread Length
	W	X
HCG50	M130 x 2	30
HCG100	M175 x 3	46
HCG150	M215 x 3	55
HCG200	M250 x 3	63
HCG250	M280 x 3	64
HCG300*	M305 x 3	73

* Standard collar thread up to 250 ton models. Collar thread is optional on 300 ton models and higher. For collar thread on cylinder add suffix "E002" to model number. **Example: HCG3006E002**
The collar thread length is designed for the full rated cylinder capacity.

Base Mounting Holes (mm)					
Model / Capacity ton	Bolt Circle	Thread Size	Minimum Thread Depth	Number of Holes	Angle from Coupler
	U	V	Z		
HCG50	105	M12 x 1,75	22	2	90°
HCG100	150	M12 x 1,75	22	2	90°
HCG150	185	M12 x 1,75	22	2	90°
HCG200	215	M12 x 1,75	22	3	60°
HCG250	245	M12 x 1,75	22	3	60°
HCG300	260	M16 x 2	25	3	60°

¹⁾ HCG506 and HCG5012: 7% side-load of maximum capacity.

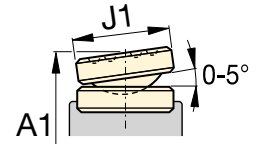
Single-Acting, High Tonnage Cylinders

Capacity:
50 - 300 ton


Stroke:
50 - 300 mm

Maximum Operating Pressure:
700 bar

HCG Series



CATS-Series Tilt Saddle

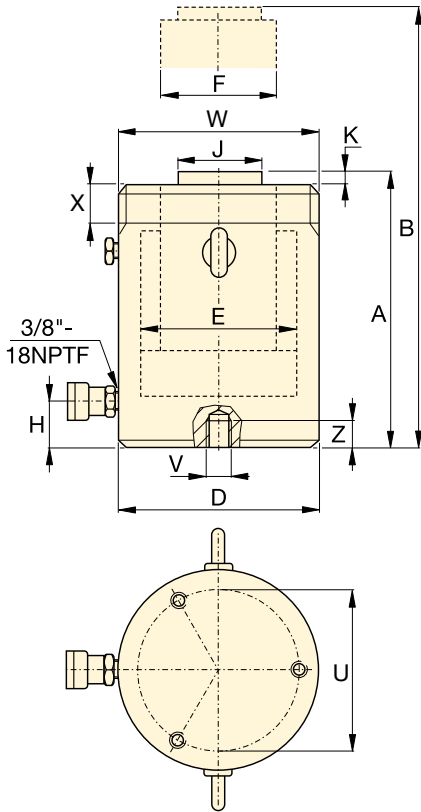
	Extended Height B (mm)	Outside Diameter D (mm)	Cylinder Bore Diameter E (mm)	Plunger Diameter F (mm)	Base to Advance Port H (mm)	Standard Saddle Diameter J (mm)	Saddle Protrusion from Plunger K (mm)	 (kg)	Model Number
	233	130	100	70	38	50	3	17	HCG502
	333							20	HCG504
	433							24	HCG506 ¹⁾
	546							29	HCG508
	646							32	HCG5010
	746							36	HCG5012 ¹⁾
	252	175	135	95	38	75	3	33	HCG1002
	352							40	HCG1004
	452							46	HCG1006
	579							58	HCG1008
	679							65	HCG10010
	779							71	HCG10012
	270	215	165	120	41	94	3	56	HCG1502
	370							66	HCG1504
	470							76	HCG1506
	597							94	HCG1508
	697							104	HCG15010
	797							115	HCG15012
	281	250	190	140	47	113	3	81	HCG2002
	381							95	HCG2004
	481							109	HCG2006
	608							136	HCG2008
	708							150	HCG20010
	808							164	HCG20012
	291	280	215	170	53	140	4	107	HCG2502
	391							125	HCG2504
	491							144	HCG2506
	631							182	HCG2508
	731							201	HCG25010
	831							219	HCG25012
	346	305	235	200	58	140	4	158	HCG3002
	446							182	HCG3004
	546							206	HCG3006
	646							230	HCG3008
	746							254	HCG30010
	846							278	HCG30012

Optional Tilt Saddle		
Saddle Diameter J1 (mm)	Collapsed Height ²⁾ A1 (mm)	Saddle Model Number
71	197	CATS50
	247	
	297	
	360	
	410	
	460	
71	212	CATS101
	262	
	312	
	389	
	439	
	489	
97	239	CATS150
	289	
	339	
	416	
	466	
	516	
126	249	CATS200
	299	
	349	
	426	
	476	
	526	
175	280	CATS300
	330	
	380	
	470	
	520	
	570	
175	335	CATS300
	385	
	435	
	485	
	535	
	585	

²⁾ A1 = Collapsed height including CATS-Series tilt saddle.

HCG-Series, Single-Acting, Gravity Return Cylinders

- Hardened surface resists side-loading and cyclic wear
- Designed to withstand 10% side-load of maximum capacity
- Stop ring to prevent plunger blow-out
- Weather protected, inside and out
- Upper and lower replaceable bearings enclose the cylinder plunger for support throughout the stroke
- Certified lifting eyes, base mounting holes
- Optional collar threads on 300 ton models and higher capacities.



SELECTION CHART 400 - 1000 TON HCG-MODELS

For 50 - 300 ton models, see pages 48-49.
For full product features see pages 44-45.

Cylinder Capacity	Stroke	Model Number	Maximum Cylinder Capacity at 700 bar	Cylinder Effective Area	Oil Capacity	Collapsed Height
ton	(mm)		ton (kN)	(cm ²)	(cm ³)	A (mm)
400	50	HCG4002	409 (4008)	572,6	2863	321
	100	HCG4004			5726	371
	150	HCG4006			8588	421
	200	HCG4008			11.451	471
	250	HCG40010			14.314	521
	300	HCG40012			17.177	571
500	50	HCG5002	522 (5114)	730,6	3653	344
	100	HCG5004			7306	394
	150	HCG5006			10.959	444
	200	HCG5008			14.612	494
	250	HCG50010			18.265	544
	300	HCG50012			21.918	594
600	50	HCG6002	611 (5987)	855,3	4276	352
	100	HCG6004			8553	402
	150	HCG6006			12.829	452
	200	HCG6008			17.106	502
	250	HCG60010			21.382	552
	300	HCG60012			25.659	602
800	50	HCG8002	831 (8149)	1164,2	5821	404
	100	HCG8004			11.642	454
	150	HCG8006			17.462	504
	200	HCG8008			23.283	554
	250	HCG80010			29.104	604
	300	HCG80012			34.925	654
1000	50	HCG10002	1085 (10.644)	1520,5	7603	442
	100	HCG10004			15.205	492
	150	HCG10006			22.808	542
	200	HCG10008			30.411	592
	250	HCG100010			38.013	642
	300	HCG100012			45.616	692

Optional Collar Thread (mm)

Model / Capacity ton	Thread Size	Thread Length
	W	X
HCG400	M350 x 3	83
HCG500	M400 x 4	90
HCG600	M430 x 4	100
HCG800	M505 x 5	122
HCG1000	M570 x 5	137

Collar thread is optional on 300 ton models and higher. For collar thread on cylinder add suffix "E002" to model number. Example: **HCG4006E002**

The collar thread length is designed for the full rated cylinder capacity.

Base Mounting Holes (mm)

Model / Capacity ton	Bolt Circle	Thread Size	Minimum Thread Depth	Number of Holes	Angle from Coupler
	U	V	Z		
HCG400	300	M16 x 2	25	3	60°
HCG500	340	M24 x 3	36	3	60°
HCG600	370	M24 x 3	36	3	60°
HCG800	440	M24 x 3	36	3	60°
HCG1000	500	M24 x 3	36	3	60°

Single-Acting, High Tonnage Cylinders



▲ Offshore wind turbines levelling: Enerpac's synchronous lifting system was the solution for levelling support cross pieces on 80 wind turbines.

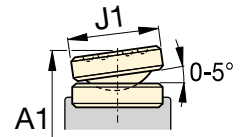
HCG Series



Capacity:
400 - 1000 ton

Stroke:
50 - 300 mm

Maximum Operating Pressure:
700 bar



CATS-Series Tilt Saddle

Extended Height B (mm)	Outside Diameter D (mm)	Cylinder Bore Diameter E (mm)	Plunger Diameter F (mm)	Base to Advance Port H (mm)	Standard Saddle Diameter J (mm)	Saddle Protrusion from Plunger K (mm)	Model Number	Optional Tilt Saddle		
								Saddle Diameter J1 (mm)	Collapsed Height * A1 (mm)	Saddle Model Number
371	350	270	220	74	159	4	HCG4002	210	CATS400	369
471							419			
571							469			
671							519			
771							569			
871							619			
394	400	305	250	79	179	4	HCG5002	230	CATS500	392
494							442			
594							492			
694							542			
794							592			
894							642			
402	430	330	270	85	194	4	HCG6002	250	CATS600	405
502							455			
602							505			
702							555			
802							605			
902							655			
454	505	385	320	100	224	4	HCG8002	275	CATS800	461
554							511			
654							561			
754							611			
854							661			
954							711			
492	570	440	340	114	249	4	HCG10002	300	CATS1000	519
592							569			
692							619			
792							669			
892							719			
992							769			

* A1 = Collapsed height including CATS-Series tilt saddle.