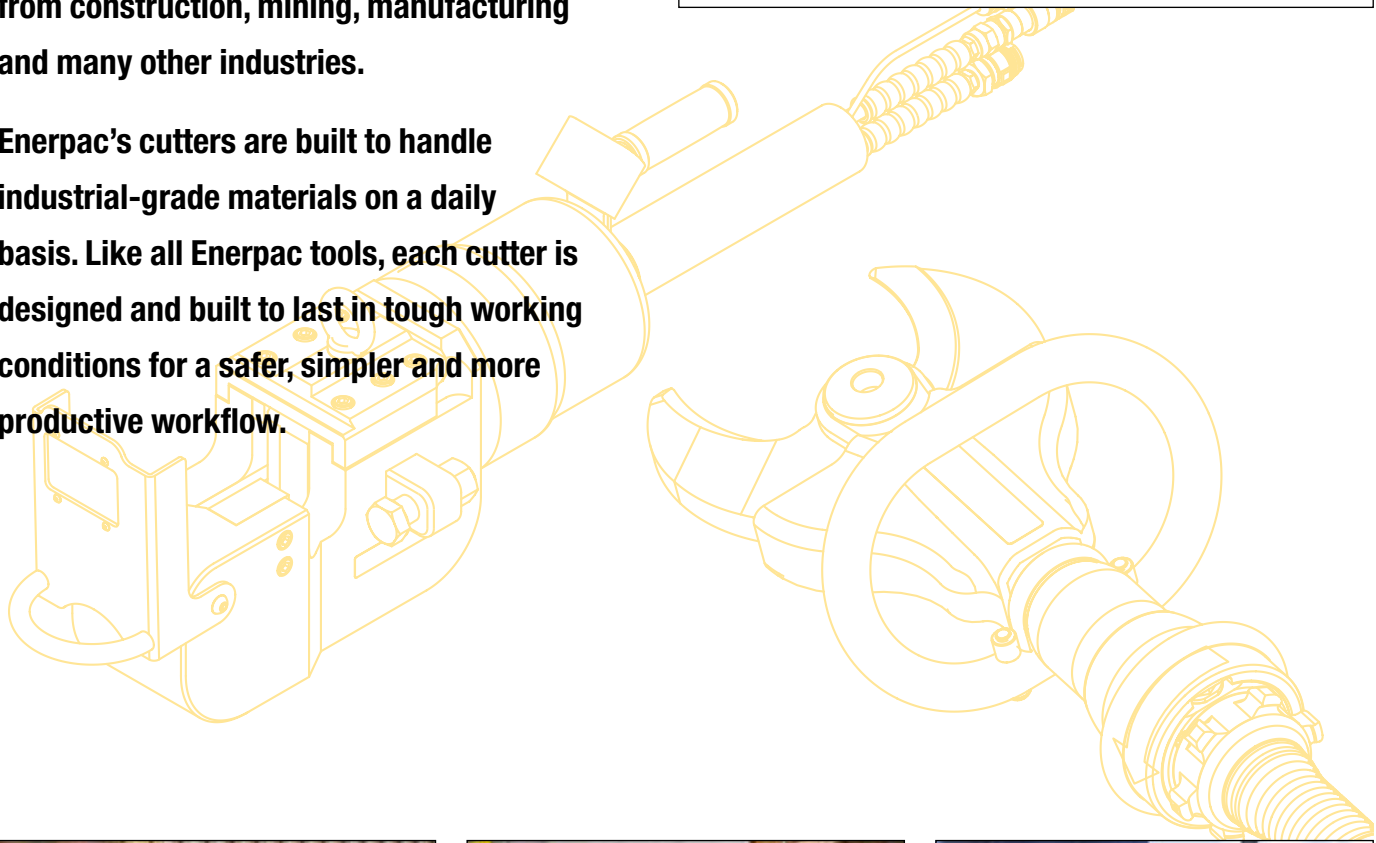














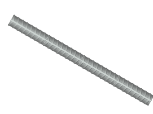







World-Class Cutters

When you need to make cuts through heavy-duty bar, chain, cable and similar materials, look no further than Enerpac's broad range of cutters.

An extensive line-up of hydraulic, electric and manual cutters provides a quick, safe and cost-effective solution for technicians from construction, mining, manufacturing and many other industries.

Enerpac's cutters are built to handle industrial-grade materials on a daily basis. Like all Enerpac tools, each cutter is designed and built to last in tough working conditions for a safer, simpler and more productive workflow.



Cutter Type		Maximum Tool Capacity *	Series		Power Source	Page
Bar Cutters		52 mm (max. material cutting diameter)	EBH EBE EBC		Hydraulic, Electric & Cordless	194 ►
Decommissioning Cutters		170 mm (max. blade aperture)	EDCH		Hydraulic	198 ►
Flat Bar Cutters		70 x 15 mm (max. material cutting Height x Width)	EFBE		Electric	199 ►
Chain Cutters		32 mm (max. link cutting diameter)	ECCE		Electric	200 ►
Wire Rope and Cable Cutters		180 mm (max. material cutting diameter)	EWCH EWCE		Hydraulic & Electric	202 ►
Cutter / Spreader Combination Tools		300 mm (max. blade aperture)	ECSE		Electric	205 ►
Hydraulic Cutterheads		101 mm (max. material cutting diameter)	WHC WHR STC		Hydraulic	206 ►
Self-Contained Hydraulic Cutters		85 mm (max. material cutting diameter)	WMC		Manual	207 ►
ZE-Series Pumps and Accessories		1,1 - 5,6 kW	EBH EWCH		Electric	208 ►
ZC, ZE-Series Pumps and Accessories		1,0 - 1,1 - 5,6 kW	EDCH		Cordless & Electric	209 ►

* Actual cutting capacities may vary depending on material being cut.

▼ Shown from left to right: EBC20E, EBH30 and EBE22E



Your Fast, Safe and Simple Solution for Cutting Metal Bar



Internal Mechanics

EBH-Series: Cylinder is driven by an external Enerpac pump.

EBC and EBE-Series: Cylinder are driven by a radial pump powered by an electric motor.



Typical Bar Cutting Applications

- Commercial and residential construction
- Concrete and masonry
- Metal fabrication
- Industrial manufacturing

Productivity

- A broad range of hydraulic and electric tools quickly and easily cut through heavy-duty bar
- Highly durable, long-lasting blades outlast angle grinder or saw blades.

Safety

- Controlled cutting process enhances user safety compared with use of cut-off blades
- Minimal spark risk compared to torching, grinding and sawing methods
- Cutters produce minimal vibration, helping prevent HAVS (Hand Arm Vibration Syndrome).

▼ Enerpac's bar cutters are built to handle tough cutting applications.



EBH-Series, Hydraulic Bar Cutters



EBH-Series Hydraulic Bar Cutters

EBH-Series Hydraulic Bar Cutters are driven by a specialized external hydraulic pump for optimal power and a higher duty cycle compared with other cutter types.

These cutters are ideal for use in production or manufacturing facilities with demanding, high-volume cutting applications.

- ① Highly durable blades maintain effectiveness throughout rigorous use.
- ② Safety guard helps protect hands from injury.
- ③ Heavy-duty cutting head provides a longer operational life.
- ④ Lifting handle enables easier positioning and transport.
- ⑤ Double-acting cylinder with advance and retract buttons improves control and reduces jamming
- ⑥ External hydraulic pump helps keep the tool cool, improving operational time (pump and hose sold separately).



EBH Series



Maximum Material Hardness:

HRC 43

Maximum Material Diameter:

30 - 35 - 52 mm

Maximum Operating Pressure:

700 bar



Electric Pumps and Accessories

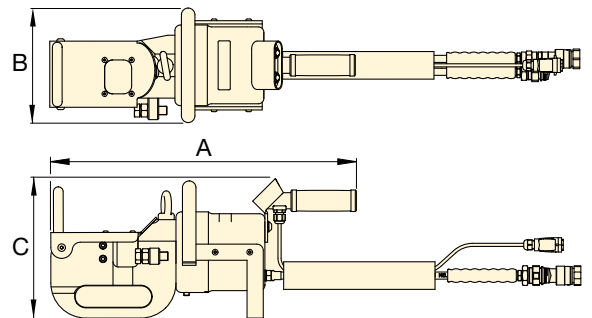
The EBH-Series Hydraulic Cutters are designed to work with specialized ZE4 and ZE6-Series pumps. Pump models vary by voltage type. Pump and hoses are sold separately. Both are required for the system to function. See page 208 for complete details on required pump and accessories

Page: **208**



Optional Gauge Kit GKHC

Optional gauge and accessories can be used to monitor pressure in the hydraulic system. Enerpac recommends **GKHC Gauge Kit** for use with Enerpac hydraulic cutters.



Maximum Material Diameter * (mm)	Model Number	Maximum Material Tensile Strength (daN/mm ²)	Maximum Material Hardness * (HRC)	Maximum Cutting Force (kN)	Maximum Hydraulic Operating Pressure (bar)	Dimensions (mm)			Replacement Blade Kit Model Number	
						A	B	C		
30	EBH30	60	43	445	700	480	183	221	21	EBH3001K
35	EBH35	62	43	606	700	566	213	259	48	EBH3501K
52	EBH52	50	43	1078	700	765	264	311	136	EBH5201K

* Maximum material properties indicated refer to the material to be cut.

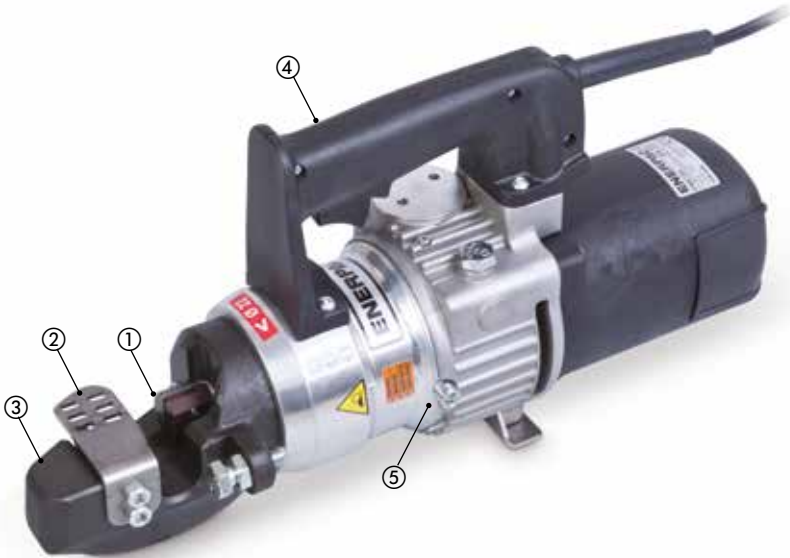


EBE-Series, Electric Bar Cutters

The versatile EBE-Series Electric Bar Cutters quickly cut through heavy duty bar up to 26 mm in diameter without the need for an external hydraulic pump.

Their compact size and low weight enable them to be easily transported and used wherever an external power source is available.

- ① Highly durable blades maintain effectiveness throughout rigorous use.
- ② Safety guard helps protect hands from injury.
- ③ Heavy-duty cutting head provides a longer operational life.
- ④ Lifting handle enables easy positioning and transport.
- ⑤ Piston-release mechanism allows blade to be reset, reducing jamming and providing a controlled cutting process.



EBE Series



Maximum Material Hardness:

HRc 43

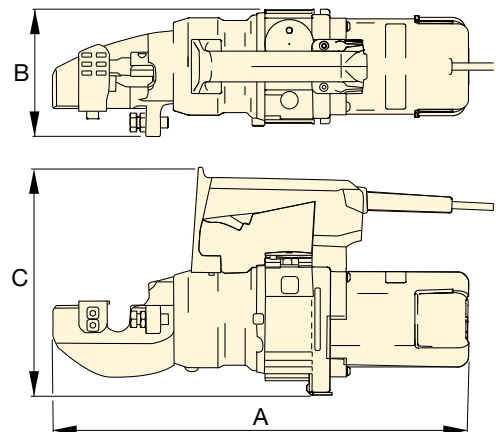
Maximum Material Diameter:

22 - 26 mm

Voltage*:

120 and 230 Volt

* ETL certification applies to 120 Volt tools only.



Voltage: (Model Number ending with suffix)

B = 120V, 60 Hz (with American-style NEMA 1-15 plug)

E = 230V, 50 Hz (with European-style SCHUKO plug)

Maximum Material Diameter ¹⁾ (mm)	Power Specifications				Model Number	Maximum Material Tensile Strength (daN/mm ²)	Maximum Material Hardness ¹⁾ (HRc)	Maximum Cutting Force (kN)	Dimensions (mm)			Cord Length (m)	Replacement Blade Kit Model Number	
	Volt	Hz	Amps	kW					A	B	C			
22	120	60	11	1,3	EBE22B	65	43	223	460	140	249	1,8	13,2	EBE2201K
22	230	50	6,8	1,4	EBE22E	65	43	223	460	140	249	3,0	13,2	EBE2201K
26	120	60	11	1,3	EBE26B	65	43	329	468	140	259	1,8	15,9	EBE2601K
26	230	50	6,8	1,4	EBE26E	65	43	329	468	140	259	3,0	15,9	EBE2601K

¹⁾ Maximum material properties indicated refer to the material to be cut.

EBC-Series, Cordless Bar Cutters

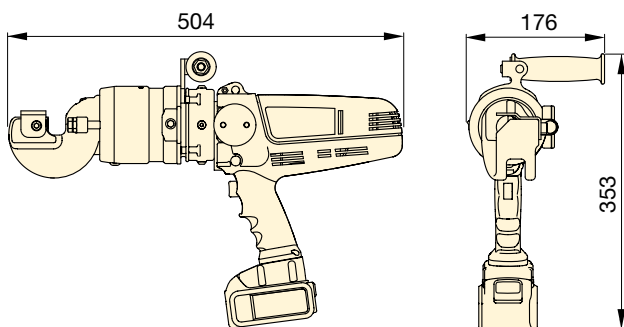


Cordless Bar Cutters

The highly portable EBC-Series Cordless Bar Cutters quickly and easily slice through up to number 6 rebar, or similar metal bar up to 20 mm in diameter.

A powerful 18V Lithium-ion battery provides mobility and long lasting performance, making these tools the perfect go-to solution for the jobsite, including remote locations, or anywhere an external power source is not available.

- ① Highly durable blades maintain effectiveness throughout rigorous use.
- ② Safety guard helps protect hands from injury.
- ③ Highly durable cutting head can be rotated 360 degrees to aid in the positioning of the blades on the application.
- ④ Lifting handle enables easy positioning and transport.
- ⑤ Piston-release mechanism allows blade to be reset, providing a controlled cutting process and reducing jamming.
- ⑥ Powerful 18V battery provides high performance and complete mobility.



Maximum Material Diameter ¹⁾ (mm)	Power Specifications			Model Number ²⁾	Maximum Material Tensile Strength ¹⁾ (daN/mm ²)	Maximum Material Hardness ¹⁾ (HRc)	Maximum Cutting Force (kN)	Weight (without battery) (kg)	Replacement Blade Kit Model Number
	Battery Input Voltage (V)	Amps	kW						
20	18 - 20	46	0,83	EBC20B	65	43	190	8,7	EBC2001K
20	18 - 20	46	0,83	EBC20E	65	43	190	8,7	EBC2001K

¹⁾ Maximum material properties indicated refer to the material to be cut.

²⁾ To order an EBC-Series Cutter without batteries or a charger, remove the "B" or "E" from the Model Number, e.g. "EBC20".

EBC Series



Maximum Material Hardness:

HRc 43

Maximum Material Diameter:

20 mm

Battery:

12 and 18 Volt

* ETL certification applies to 120 Volt tools only.



Batteries and Chargers

EBC-Series Cutters come standard with two DeWALT® 18V-5Ah lithium-ion batteries and one DeWALT® 12V or 18V charger. Additional batteries and chargers are sold separately.

EBC-Series Cutters work with DeWALT® 18V XR batteries. DeWALT® is a registered trademark of DeWALT Industrial Tool Co., which has not manufactured, licensed, approved, or endorsed this cutter product.

For Cutter Model Nr.	DeWALT® Lithium-ion Battery	Li-ion Battery Charger 12V and 18V
EBC20B	B205	BC1220B
EBC20E	B185	BC1220E

Voltage: (Model Number ending with suffix)

B = 120V, 60 Hz (with American-style NEMA 1-15 plug)

E = 230V, 50 Hz (with European-style SCHUKO plug)

▼ EDCH130, Decommissioning Cutter



Productivity

- Powerful jaws and an exceptionally large blade aperture enable use on a large variety of applications including metal tubes, communication cables, profiles and similar materials *
- Multiple pump options provide power, speed and mobility for all your applications.

Safety

- Minimal spark risk compared with torching, grinding and sawing methods
- Cutters produce minimal vibration, helping prevent HAVS (Hand Arm Vibration Syndrome).



- ① Durable blades maintain efficiency throughout rigorous use
- ② Double-acting cylinder improves control and reduces jamming
- ③ Control knob immediately stops the tool when released, improving operator safety
- ④ External hydraulic pump helps keep tool cooler and working longer (pump and hose sold separately).

EDCH Series



Maximum Material Hardness:

HRc 41

Maximum Blade Aperture:

130 - 145 - 170 mm

Maximum Operating Pressure:

700 bar



Electric Pumps and Accessories

The EDCH-Series Hydraulic Cutters are designed to work with specialized ZC3, ZE4 and ZE6-Series electric pumps. Pump models vary by voltage type. Pump and hose are all sold separately, and all are required for the system to function. See page 209 for complete details on required pumps and accessories.

Page: 209



* IMPORTANT

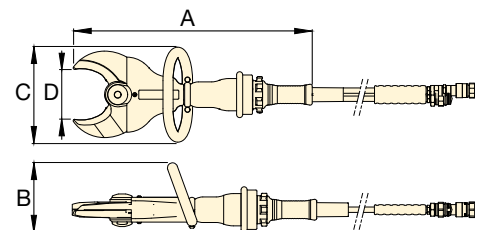
Do not use to cut wire rope. Use instead the EWCH-Series wire and rope cutter.

Page: 203



Optional Gauge Kit GKHC

Optional gauge and accessories can be used to monitor pressure in the hydraulic system. Enerpac recommends GKHC Gauge Kit for use with Enerpac hydraulic cutters.



Maximum Blade Aperture * (mm)	Model Number	Maximum Material Tensile Strength (daN/mm ²)	Maximum Material Hardness * (HRc)	Maximum Operating Pressure (bar)	Dimensions (mm)				Replacement Blade Kit Model Number	
					A	B	C	D		
130	EDCH130	65	41	700	589	170	234	130	11,5	EDCH13001K
145	EDCH145	65	41	700	687	206	246	145	16,9	EDCH14501K
170	EDCH170	65	41	700	733	172	249	170	24,2	EDCH17001K

* Maximum material properties indicated refer to the material to be cut.
Do not use to cut wire rope. Use instead the EWCH-Series wire and rope cutter.

Electric Flat Bar Cutters



EFBE-Series Electric Flat Bar Cutters

EFBE-Series Electric Flat Bar Cutters enhance workplace safety by replacing unsafe cutting methods with a precise, controlled cutting solution. Unlike standard bar cutters, the deep cutting head design accommodates metal bar up to 70 mm (2¾ inch) high and over 15 mm (0.59 inch) thick.

A piston release mechanism allows the blade to be stopped and reset at any time, providing the operator with a high degree of cutting precision and control. EFBE-Series Cutters are perfect for use in industrial manufacturing facilities as well as steel and metal fabrication shops.

- ① Highly durable blades cut through flat bar, maintaining effectiveness throughout rigorous use
- ② Heavy-duty cutting head provides a longer operational life
- ③ Robust handle enables easy positioning and transport
- ④ Piston-release mechanism allows blade to be retracted, providing a controlled cutting process and reducing jamming



Voltage: (Model Number ending with suffix)

B = 120V, 60 Hz (with American-style NEMA 1-15 plug)

E = 230V, 50 Hz (with European-style SCHUKO plug)

EFBE Series



Maximum Material Hardness:

HRc 33

Maximum Material Height x Width:

50 x 17 mm / 70 x 15 mm

Voltage*:

120 and 230 Volt

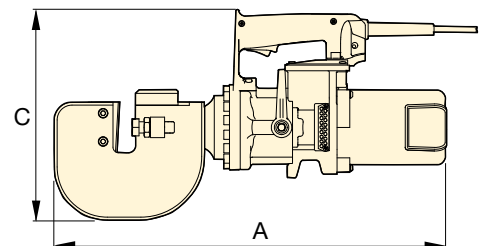
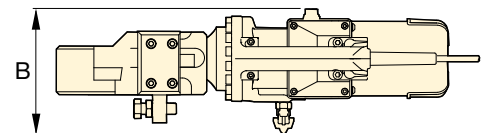
* ETL certification applies to 120 Volt tools only.



Replacement Blade Kits

To order replacement parts use one of the model numbers shown below.

For Cutter Model Number	Blade Kit Model Number
EFBE5017B	EFBE501701K
EFBE5017E	
EFBE7015B	EFBE701501K
EFBE7015E	



Maximum Material Dimensions ¹⁾ (mm)		Power Specifications				Model Number	Maximum Material Tensile Strength ¹⁾ (daN/mm ²)	Maximum Material Hardness ¹⁾ (HRc)	Maximum Cutting Force (kN)	Dimensions (mm)			Cord Length (m)	Weight (kg)
Height	Width	Volt	Hz	Amps	kW					A	B	C		
50	17	120	60	11	1,3	EFBE5017B	45	33	265	483	175	272	1,8	21
50	17	230	50	6,8	1,4	EFBE5017E	45	33	265	483	175	272	3,0	21
70	15	120	60	11	1,3	EFBE7015B	45	33	265	555	175	298	1,8	30
70	15	230	50	6,8	1,4	EFBE7015E	45	33	265	555	175	298	3,0	30

¹⁾ Maximum material properties indicated refer to the material to be cut.

▼ ECCE32E Electric Chain Cutter



Your Simple Solution for Cutting High-Strength Industrial Chain



Internal Mechanics

ECCE-Series: Cylinder is driven by a radial pump powered by an electric motor.



Typical Chain Cutting Applications

- Chain manufacturing
- Mining
- Rigging / material handling for transport
- Oil and gas
- Marine

Productivity

- Quickly cut through heavy-duty chain links with minimal effort
- Highly durable blades outlast angle grinder or saw blades.

Safety

- Controlled cutting process behind a protective shield enhances safety
- Precisely cut only selected link, helping prevent damage to adjacent links and weakening of chain
- Minimal spark risk compared to torching, grinding and sawing methods
- Cutters produce minimal vibration, helping prevent HAVS (Hand Arm Vibration Syndrome).



◀ Cut through chain links with ease using Enerpac's chain cutters.

ECCE-Series, Electric Chain Cutters

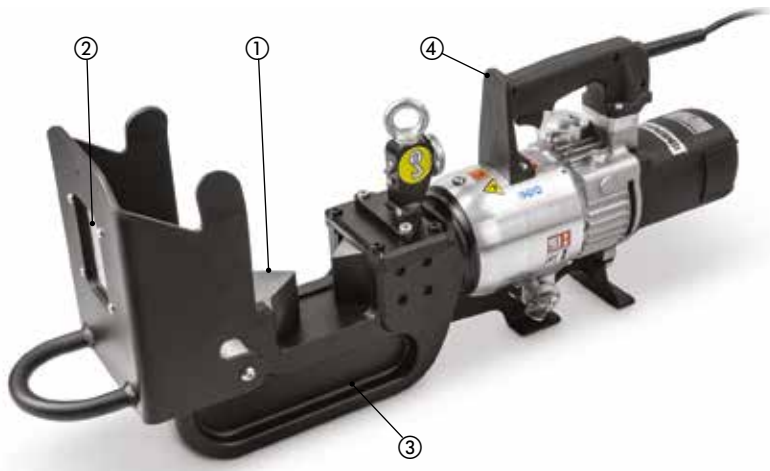


ECCE-Series Electric Chain Cutters

ECCE-Series Electric Chain Cutters are ideal for applications where safety is paramount. Unlike other cutting methods, Enerpac's chain cutters precisely cut selected chain links behind an enclosed, transparent safety guard.

This not only protects the operator's hands, it also helps prevent damage to adjacent links, which often results from using alternative cutting methods like torches or cut-off tools.

- ① Highly durable blades maintain effectiveness throughout rigorous use.
- ② Transparent safety guard protects hands and allows continuous monitoring for better management of cutting process.
- ③ Heavy-duty cutting head provides a longer operational life.
- ④ Lifting handle and eyebolt enable easy positioning and transport.



ECCE Series



Maximum Material Hardness:

HRc 46

Maximum Material Diameter:

25 - 32 mm

Maximum Grade of Chain:

100

Voltage *:

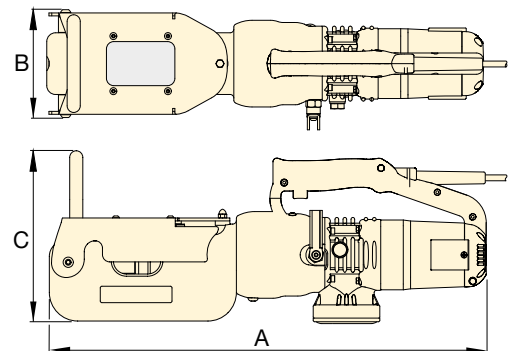
120 and 230 V

* ETL certification applies to 120 Volt tools only.

Voltage: (Model Number ending with suffix)

B = 120V, 60 Hz (with American-style NEMA 1-15 plug)

E = 230V, 50 Hz (with European-style SCHUKO plug)



Grade ¹⁾ and Maximum Material Diameter ²⁾ (mm)			Power Specifications				Model Number	Maximum Material Hardness ¹⁾ (HRc)	Maximum Cutting Force (kN)	Dimensions (mm)			Cord Length (m)	Weight (kg)	Replacement Blade Kit Model Number
Grade 70	Grade 80	Grade 100	Volt	Hz	Amps	kW				A	B	C			
25	25	13	120	60	10	1,2	ECCE26B	46	312	600	154	235	1,8	25	ECCE2601K
25	25	13	230	50	5,3	1,1	ECCE26E	46	312	600	154	235	3,0	25	ECCE2601K
32	25	19	120	60	11	1,3	ECCE32B	46	471	700	192	321	1,8	48	ECCE3201K
32	25	19	230	50	6,8	1,4	ECCE32E	46	471	700	192	321	3,0	48	ECCE3201K

¹⁾ Cutting larger chains or those of a grade higher than those recommended will result in increased wear, and may damage the tool.

²⁾ All links over 1/2" (12,7 mm) must be cut in two passes, with each pass cutting one side of the link.

▼ Shown from left to right: EWCH90 and EWCE55E



The Quick and Clean Way to Cut Cable and Wire Rope



Internal Mechanics

EWCH-Series: Cylinder is driven by an external Enerpac hydraulic pump.

EWCE-Series: Cylinder is driven by a radial pump powered by an electric motor.

Productivity

- A broad range of hydraulic and electric tools quickly and easily cut through cable and wire rope.

Safety

- Controlled cutting process enhances operator safety
- Minimal spark risk compared with torching, grinding and sawing methods
- Cutters produce minimal vibration, helping prevent HAVS (Hand Arm Vibration Syndrome).



Typical Wire and Cable Cutting Applications

- Telecommunications
- Electrical installation and maintenance
- Power generation and transmission
- Shipbuilding

▼ Guillotine-style blades make quick work of electrical cables and rope.



EWCH-Series, Hydraulic Wire and Cable Cutters



EWCH-Series Hydraulic Wire and Cable Cutters

EWCH-Series Hydraulic Wire and Cable Cutters are ideal for use in production facilities where demanding, high volume cutting applications are often encountered.

Each tool is driven by a specialized external hydraulic pump, which provides greater cutting force and allows for higher duty cycles compared with other cutter types.

- ① Guillotine-style blades maintain effectiveness throughout rigorous use.
- ② Cutting head can be opened and closed to help position material to be cut.
- ③ Eyebolt facilitates easy lifting.
- ④ Double-acting cylinder with advance and retract buttons improves control and reduces jamming.
- ⑤ External hydraulic pump helps keep tool cooler and working longer (pump and hose are sold separately).



EWCH Series



Maximum Material Hardness:

HRc 43

Maximum Material Diameter:

90 - 140 - 180 mm

Maximum Operating Pressure:

700 bar



Electric Pumps and Accessories

The EWCH-Series Hydraulic Cutters are designed to work with specialized ZE6-Series electric pumps. Pump models

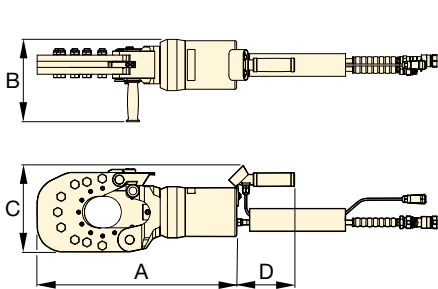
vary by voltage type. Pump and hoses are sold separately. Both are required for the system to function. See page 208 for complete details on required pump and accessories

Page: **208**

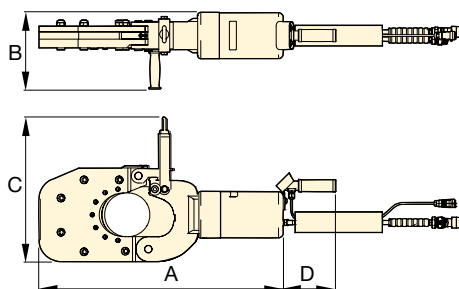


Optional Gauge Kit GKHC

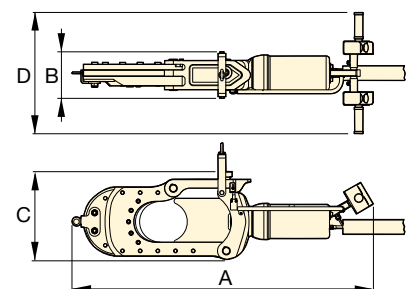
Optional gauge and accessories can be used to monitor pressure in the hydraulic system. Enerpac recommends **GKHC Gauge Kit** for use with Enerpac hydraulic cutters.



EWCH90



EWCH140



EWCH180

Maximum Material Diameter * (mm)	Model Number	Maximum Material Tensile Strength (daN/mm ²)	Maximum Material Hardness * (HRc)	Maximum Cutting Force (kN)	Maximum Hydraulic Operating Pressure (bar)	Dimensions (mm)				Replacement Blade Kit Model Number	
						A	B	C	D		
90	EWCH90	65	43	550	700	582	282	251	169	54	EWCH9001K
140	EWCH140	65	43	550	700	782	246	309	169	90	EWCH14001K
180	EWCH180	65	43	774	700	1364	211	401	551	150	EWCH18001K

* Maximum material properties indicated refer to the material to be cut.

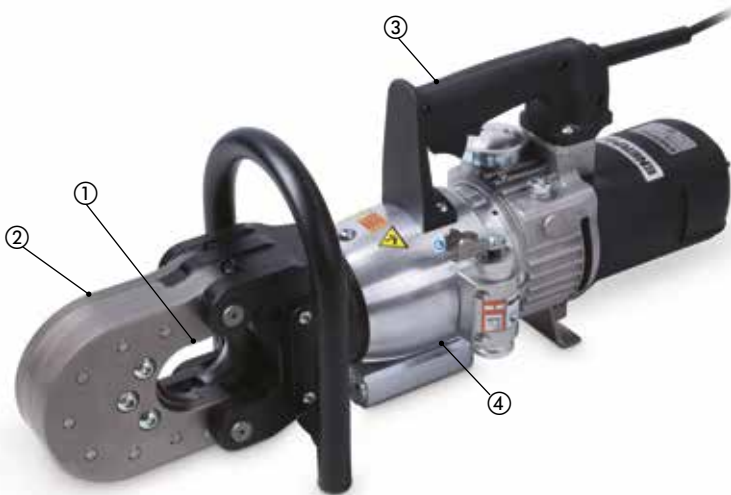


EWCE-Series Electric Wire and Cable Cutters

EWCE-Series Electric Wire and Cable Cutters combine the efficiency and safety of their hydraulic counterparts with the greater portability of electric tools.

Their lighter weight allows for easier carrying and positioning. Available in 120V and 230V versions.

- ① Durable, guillotine-style blades maintain effectiveness throughout rigorous use.
- ② Cutting head opens wide for easy positioning of wire or cable.
- ③ Robust handles enable easy positioning and transport.
- ④ Double-acting cylinder with directional control improves handling and reduces jamming.



◀ Cut through wire rope and cables with ease.

EWCE Series



Maximum Material Hardness:

HRc 48

Maximum Material Diameter:

42 - 55 mm

Voltage*:

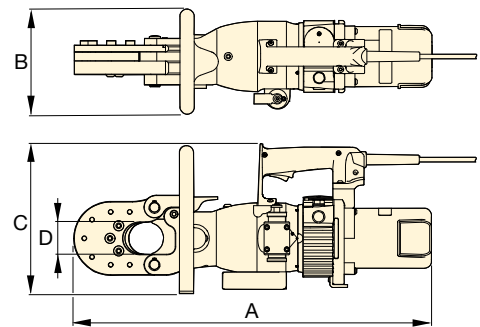
120 and 230 V

* ETL certification applies to 120 Volt tools only.

Voltage: (Model Number ending with suffix)

B = 120V, 60 Hz (with American-style NEMA 1-15 plug)

E = 230V, 50 Hz (with European-style SCHUKO plug)



Maximum Material Diameter* (mm)		Power Specifications				Model Number	Maximum Material Hardness* (HRc)	Maximum Cutting Force (kN)	Dimensions (mm)				Cord Length (m)	Replacement Blade Kit Model Number	
Electric Cable	Wire Rope	Volt	Hz	Amps	kW				A	B	C	D			
55	42	120	60	11	1,3	EWCE55B	48	380	627	183	264	56	1,8	25	EWCE5501K
55	42	230	50	6,8	1,4	EWCE55E	48	380	627	183	264	56	3,0	25	EWCE5501K

* Maximum material properties indicated refer to the material to be cut.

ECS-Series, Cutter / Spreader Combination Tools

▼ ECSE300E



ECSE Series



Maximum Material Hardness:

HRc 41

Maximum Blade Aperture:

300 mm

Voltage*:

120 and 230 V

* ETL certification applies to 120 Volt tools only.



Internal Mechanics

ECSE-Series: Cylinder is driven by a radial pump powered by an electric motor.



Typical Chain Cutting Applications

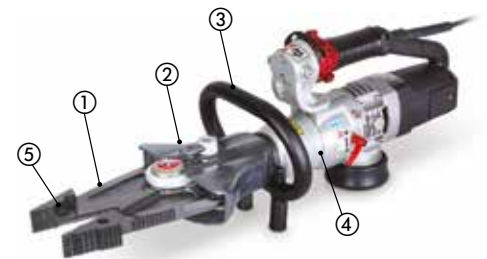
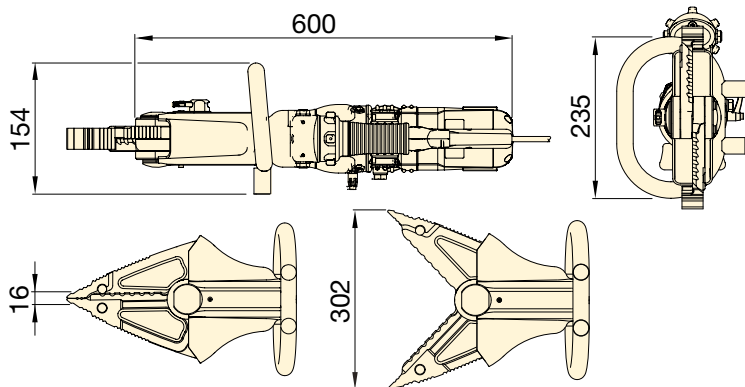
- Industrial manufacturing
- Recycling
- Demolition

Productivity

- Blades easily cut through metal profiles, pipes, rods and other obstructions
- Wedges on tips of blades provide powerful spreading force

Safety

- Controlled cutting process creates minimal spark risk compared with torching, grinding and sawing methods



- ① Highly durable blades grip and cut through metal obstructions with ease
- ② Cutting head can be rotated 180 degrees in each direction for easier access to the application
- ③ Robust handle enables easy positioning and transport
- ④ Double-acting cylinder improves control and reduces jamming
- ⑤ Wedges provide powerful spreading force

Voltage: (Model Number ending with suffix)

B = 120V, 60 Hz (with American-style NEMA 1-15 plug)

E = 230V, 50 Hz (with European-style SCHUKO plug)

Maximum Blade Aperture (mm)	Power Specifications				Model Number	Maximum Material Tensile Strength ¹⁾ (daN/mm ²)	Maximum Material Hardness ¹⁾ (HRc)	Maximum Spreading Force ²⁾ (kN)	Cord Length (m)	Replacement Jaws Kit Model Number	
	Volt	Hz	Amps	kW							
300	120	60	10,0	1,2	ECSE300B	65	41	46	1,8	15	ECSE30001K
300	230	50	5,3	1,1	ECSE300E	65	41	46	3,0	15	ECSE30001K

¹⁾ Maximum material properties indicated refer to the material to be cut.

²⁾ 25 mm from jaw tips with jaws closed.

▼ Shown from left to right: WHC4000, WHC750

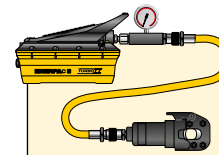


WHC, WHR, STC Series

Capacity:
3 - 20 ton

Cutting Capacity:
Ø 13 - 101 mm

Maximum Operating Pressure:
700 bar



Tool-Pump Sets

Cutterheads marked with an * are available as sets (pump, tool, gauge, couplers and hose) for your ordering convenience.

Cutterhead Model Nr.	Pump Model Nr.	Set Model Number *
WHC750	P392	STC750H
WHC750	P392FP	STC750FP
WHC750	PATG1102N	STC750A
WHC1250	P392	STC1250H
WHC1250	P392FP	STC1250FP
WHC1250	PATG1102N	STC1250A

* H = Hand Pump, FP = Foot Pump, A = Air Pump

- Single-acting, spring return on all models, except WHR1250
- Guillotine action for smooth cutting operation
- Lifting handles on larger models for easy transport
- Carrying bag included for easy carrying and tool protection
- Ideal for use with most Enerpac pumps featuring 3-way valve or dump valve and 700 bar pressure rating (except WHR1250, which requires 4-way valve)
- CR400 coupler and dust cap included on all models.

Steel rope is easily cut with the smooth guillotine action of an Enerpac cutterhead. ▶



▼ Selection Chart Maximum Cutting Capacities (Ø in mm)

Cutter Head Operation	Capacity ton	Model Number	Oil Capacity (cm³)	Length (mm)	Steel Wire Rope, Hemp-core or IWRC 6x7 6x12 6x19	Round Bar				Wire Strand				Cable		Replacement Blades (kg)	
						Copper Wire or Bar	Aluminum Wire or Bar	Soft Steel Bolts	Reinforcing Bar	Bare Copper Wire Strands	Bare Aluminum Wire Strands	ACSR	Guy Steel Wire Strands	Telephone Cable CPP	Underground Cable (Power)		
Single-Acting	4	WHC750*	19,7	127	16	19	19	19	13 **	19	19	19	16	☆	☆	3,2	WCB750
	20	WHC1250*	134,4	279	31	31	31	31	25	31	31	31	22	☆	☆	11,3	WCB1250
	13	WHC2000	119,6	381	25	31	31	22	☆	51	51	51	19	☆	☆	10,4	WCB2000
	3	WHC3380	65,5	482	☆	☆	☆	☆	☆	76	76	☆	☆	85	85	9,1	WCB3380
	8	WHC4000	137,7	609	☆	☆	☆	☆	☆	89	89	☆	☆	101	101	14,5	WCB4000
Dbl.-Act.	20	WHR1250	122,9	419	31	31	31	31	25	31	31	31	22	☆	☆	11,8	WCB1250

* Available in sets with P392 Hand Pump, P392FP Foot Pump or PATG1102N Turbo Air Pump.

* Low Alloy

☆ Will not cut designated material.

WMC-Series, Self-Contained Hydraulic Cutters

▼ Shown from left to right: WMC2200, WMC750



WMC Series

Capacity:

3 - 20 ton

Cutting Capacity:

∅ 14 - 85 mm



Replacement Blades

60-62 HRC hardened replacement blades.

For Cutter Model Number	Order Blades Model Number
WMC580	WCB750
WMC750	WCB750
WMC1000	WCB1000
WMC1250	WCB1250
WMC2200	WCB2000
WMC 3380	WCB3380

- Rotating heads for operator convenience
- Guillotine action for smooth cutting operation
- Carrying bag included for easy carrying and tool protection
- Velcro straps to secure handles on larger models for easy carry
- Spring return for easy operation
- Lightweight self-contained tool, can be used anywhere.



CAUTION !:

A "☆" in the charts on these pages means that this hydraulic cutter is not designed to cut this size or type of material. Any attempt to do so may result in personal injury and damage to the unit and will void the warranty.

▼ Selection Chart Maximum Cutting Capacities (∅ in mm)

Capacity ton	Model Number	Length (mm)	Steel Wire Rope, Hempcore or IWRC 6x7 6x12 6x19	Round Bar				Wire Strand					Cable		⚖️ (kg)
				Copper Wire or Bar	Aluminum Wire or Bar	Soft Steel Bolts	Reinforcing Bar	Bare Copper Wire Strands	Bare Aluminum Wire Strands	ACSR Wire Strands	Guy Steel Wire Strands	Guy Steel Wire Strands	Telephone Cable CPP	Underground Cable (Power)	
4	WMC580	381	16	16	16	16	10	16	16	16	14	14	☆	☆	3,6
4	WMC750	381	19	19	19	17	13 **	19	19	19	14	14	☆	☆	3,6
20	WMC1000 *	679	☆	19	19	19	19	☆	☆	☆	☆	☆	☆	☆	11,3
20	WMC1250	679	31	31	31	31	22	31	31	31	22	22	☆	☆	10,4
13	WMC2200	628	25	31	31	22	☆	51	51	51	19	19	☆	☆	10,9
3	WMC3380	660	☆	☆	☆	☆	☆	76	76	☆	☆	☆	85	85	10,0

* Cuts 12 mm alloy chain grade 70 (type G7 transport or tie-down) or grade 80 (for overhead lifting applications).

** Low Alloy.

☆ Will not cut designated material.



Pumps & Accessories for EBH & EWCH-Cutters

EBH-Series Bar Cutters and EWCH-Series Wire and Cable Cutters are powered by an external pump with an electric valve.

A twin hydraulic hose and electric cable connect the tools to the pump, allowing the user to operate them directly from a control panel located on the cutters.



ZE4-Series Pumps

Specialized **ZE4-Series** pumps provide a balance of speed and versatility, and are available in 115 and 230 volts. Recommended for use with **EBH30** and **EBH35** cutters when portability, or the convenience of using standard voltage is required.



ZE6-Series Pumps

Specialized **ZE6-Series** 3-phase pumps offer a high-flow rate that provides fast performance for demanding applications. Recommended for **EBH52** and all **EWCH** cutting applications where speed is critical, or where higher flow rates are required by the application.

ZE Series



Reservoir Capacity:

4,6 - 9,8 litres

Motor Size:

1,1 - 5,6 kW

Maximum Operating Pressure:

700 bar



Optional Gauge Kit GKHC

Optional gauge and accessories can be used to monitor pressure in the hydraulic system. Enerpac recommends **GKHC Gauge Kit** for use with Enerpac hydraulic cutters.



Hoses

EBH- and EWCH-Series Cutters require a twin hose with an electric cable. The hose comes equipped with the appropriate couplers.

Required hoses sold separately.

Description	Model Number
6,1 m long, twin hose with couplers, sheath & electric cable	CH720EC

Pump Voltage 1-phase: (Model Number ending with suffix)

B = 120V, 60 Hz (with American-style NEMA 5-15 plug)

E = 230V, 50 Hz (with European-style SCHUKO plug)

I = 230V, 50 Hz (with NEMA 6-15 plug)

Pump Series	Pump Model Number *	Motor Electrical Specifications (Volt - Phase, 50-60 Hz)	Motor Size (kW)	Reservoir Capacity (litres)	Dimensions (mm)			Weight (kg)	Required Twin Hose Model Number (Sold separately)	Compatible Cutter Model Number (Sold Separately)
					Height	Length	Width			
ZE4	ZE4404XB	115 V - 1 ph	1,1	4,6	513	521	279	45	CH720EC	EBH30 EBH35
	ZE4404XE	208-240 V - 1 ph								
	ZE4404XI	208-240 V - 1 ph								
ZE6 ¹⁾	ZE6410XG-S	208-240 V - 3 ph	5,6	9,8	384	559	384	77	CH720EC	All EBH and EWCH-Series Cutters
	ZE6410XJ-S	460-480 V - 3 ph								
	ZE6410XK-S	440 V - 3 ph								
	ZE6410XW-S	380-415V - 3 ph								

* Indicated pumps come equipped with appropriate configurations to work with indicated cutters.

¹⁾ ZE6 pumps are available with roll cages. To add a roll cage, add an "R" prior to the "S" in the model number: example **ZE6410XG-RS**.

Pumps & Accessories for EDCH-Cutters



Pumps & Accessories for EDCH-Cutters

The EDCH-Decommissioning Cutters are designed to work in a wide variety of environments, from factories to demolition projects.

Enerpac offers multiple pump options to provide power, speed and mobility for all your applications.

ZC ZE Series



Reservoir Capacity:

4,6 - 9,8 litres

Motor Size:

1,0 - 1,1 - 5,6 kW

Maximum Operating Pressure:

700 bar



ZC3-Series Cordless Pumps

Specialized **ZC3-Series** Cordless Pumps offer the portability of a cordless tool without the added weight of an integrated motor, combining freedom of movement with ease of use. Recommended for use with the **EDCH130** cutter.



ZE4-Series Pumps

Specialized **ZE4-Series** Pumps provide a balance of speed and versatility. Recommended for use with all **EDCH** cutters when the convenience of using standard voltage is required.



ZE6-Series Pumps

Specialized **ZE6-Series** pumps offer a high-flow rate that provides fast performance. Recommended for use with all **EDCH** cutters when 3-phase power is available, and speed is critical.



Optional Gauge Kit GKHC

Optional gauge and accessories can be used to monitor pressure in the hydraulic system. Enerpac recommends **GKHC Gauge Kit** for use with Enerpac hydraulic cutters.



Twin Hose

EDCH-Series Cutters require a twin hose for operation. The hose comes equipped with the appropriate couplers.

Description	Model Number
6,1 m long, twin hose with couplers	CH720MC

Pump Voltage 1-phase: (Model Number ending with suffix)

B = 120V, 60 Hz (with American-style NEMA 5-15 plug);

E = 230V, 50 Hz (with European-style SCHUKO plug); **I** = 230V, 50 Hz (with NEMA 6-15 plug)

Pump Series	Pump Model Number *	Motor Electrical Specifications (Volt - Phase, Hz)	Motor Size (kW)	Reservoir Capacity (litres)	Dimensions (mm)			Weight (kg)	Required Twin Hose Model Number (Sold separately)	Compatible Cutter Model Number (Sold Separately)
					Height	Length	Width			
ZC3	ZC3204XB	Cordless (115 V Charger 60 Hz)	1,0	4,6	653	472	363	27	CH720MC	EDCH130
	ZC3204XE	Cordless (230 V Charger 50 Hz)								
ZE4	ZE4204XB	115 V - 1 ph, 50-60 Hz	1,1	4,6	513	521	279	45	CH720MC	EDCH130 EDCH145 EDCH170
	ZE4204XE	208-240 V - 1 ph, 50-60 Hz								
	ZE4204XI	208-240 V - 1 ph, 50-60 Hz								
ZE6 ¹⁾	ZE6210XG-S	208-240 V - 3 ph	5,6	9,8	384	559	384	77	CH720MC	EDCH130 EDCH145 EDCH170
	ZE6210XJ-S	460-480 V - 3 ph								
	ZE6210XK-S	440 V - 3 ph								
	ZE6210XW-S	380-415V - 3 ph								

* Indicated pumps come equipped with appropriate configurations to work with indicated cutters.

¹⁾ ZE6 pumps are available with roll cages. To add a roll cage, add an "R" prior to the "S" in the model number: example **ZE6410XG-RS**.