

MG7™

MINI GAP
FLANGE SPREADER



CONTENTS

1. INTRODUCTION
2. TOOL SAFETY
 - 2.1 GENERAL SAFETY
 - 2.2 PERSONNEL COMPETENCY
 - 2.3 DISCLAIMER
 - 2.4 DEFINITION OF TERMS
 - 2.5 HAZARDS
3. MG7TM MINI GAP FLANGE SPREADER
 - 3.1 TOOL CAPABILITIES
 - 3.2 TOOL FUNCTION
 - 3.3 KIT CONTENTS
 - 3.4 TOOL DIMENSIONS
 - 3.5 TOOL MAINTENANCE
4. RANGE OF APPLICATION
 - 4.1 ASME B16.5 WELDNECK, THREADED, SLIP-ON AND BLIND FLANGES
 - 4.2 ASME B16.5 SOCKET WELDED
 - 4.3 ASME B16.5 LONG WELDING NECK FLANGE
 - 4.4 ASME B16.5 LAPPED FLANGE
 - 4.5 ASME B16.47 WELDNECK AND BLIND FLANGES
 - 4.6 ANSI REDUCING
 - 4.7 ANSI ORIFICE - WELDNECK FLANGE
 - 4.8 ANSI ORIFICE - SLIP-ON AND THREADED FLANGES
 - 4.9 BS
5. REGULATORY INFORMATION
 - 5.1 REGISTERED HEAD OFFICE
6. PARTS LISTS & SERVICE KITS

01/02/2019

1.

INTRODUCTION

The Equalizer MG7TM MINI-GAP FLANGE SPREADER is designed to aid the safe separation of flange faces. This system has a unique ability to break flange joints with a 2mm gap between the flange faces. The tool is designed to separate flanges while applying an immense amount of force to the correct point of separation.

The use of these instructions will promote safe use, and maximise the service life of the tools.

It is essential that the user familiarises themselves with the contents of this manual prior to using the tool.

This manual contains information for the following tools:

- **MG7TM Mini-Gap Flange Spreader**

The Equalizer MG7TM Mini-Gap Flange Spreader:

- Offers a safe and reliable working method
- Provides 6.8 tonnes of spreading force
- Separates flange faces with a gap of 2mm or greater
- Is lightweight and easy to use

2.

SAFETY INFORMATION

2.1

GENERAL SAFETY

These instructions cover the safe operation and maintenance of THE EQUALIZER **MG7TM** MINI GAP FLANGE SPREADING tools. The use of these tools should be as part of a broader task-based risk assessment, which should be carried out by the operation supervisor or other competent person.

Failure to comply with the safety information contained within this manual could result in personal injury or equipment damage. Read all instructions, warnings and cautions carefully, and follow all safety precautions.

The safety of the operator, any assisting personnel and the general public is of paramount importance. Always work in accordance with applicable national, local, site & company-wide safety procedures.

2.2

PERSONNEL COMPETENCY

Only personnel deemed competent in the use of mechanical and hydraulic equipment should use these tools.

2.3

DISCLAIMER

Equalizer cannot be held responsible for injury or damage resulting from unsafe product use, lack of maintenance or incorrect product and/or system operation. If in doubt as to the safety precautions and applications, contact Equalizer using the contact details at the back of this manual.

2.4

DEFINITION OF TERMS

A **CAUTION** is used to indicate correct operating or maintenance procedures and practices to prevent damage to, or destruction of equipment or other property.

A **WARNING** indicates a potential danger that requires correct procedures or practices to avoid personal injury.

A **DANGER** is only used when your action or lack of action may cause serious injury or even death.



DO: an illustration showing how the tool should be used.



DON'T: an illustration showing an incorrect way to use a tool.

2.5

HAZARDS



WARNING: ensure all hydraulic components are rated to a safe working pressure of 700bar (10,000psi).



WARNING: Do not overload equipment. The risk of hydraulic overloading can be minimised by using the Equalizer Hand Pump, which has a factory-set safety valve preventing the safe working pressure being exceeded.

If alternative hydraulic pumps are used, ensure that there are adequate systems to limit the working pressure to 700 bar (10,000 psi).



CAUTION: ensure components are protected from external sources of damage, such as excessive heat, flame, moving machine parts, sharp edges and corrosive chemicals.



CAUTION: Take care to avoid sharp bends and kinks in hydraulic hoses. Bends and kinks can cause severe back-up pressure and cause hose failure. Protect hoses from dropped objects; a sharp impact may cause internal damage to hose wire strands. Protect hoses from crush risks, such as heavy objects or vehicles; crush damage can cause hose failure.



WARNING: Applying pressure to a damaged hose may cause it to rupture.



WARNING: Immediately replace worn or damaged parts. Use only genuine Equalizer parts from approved distributors or service centres. Equalizer parts have been engineered and manufactured to be fit-for-purpose.



DANGER: To minimise risk of personal injury keep hands and feet away from the tool and workpiece during operation.



WARNING: Always wear suitable clothing and Personal Protective Equipment (PPE). Do not handle pressurised hoses; escaping oil under pressure can penetrate the skin, causing serious injury. Seek medical attention immediately if oil penetration is suspected.



WARNING: Only pressurize complete and fully connected hydraulic systems. Do not pressurize systems that contain unconnected couplers.



CAUTION: Do not lift hydraulic equipment by the hoses or couplers. Use only the designated carrying handles.



CAUTION: Lubricate tools as directed in this manual prior to operation. Use only approved lubricants of high quality, following the lubricant manufacturers instructions.



CAUTION: Only use the designated anchor point for fixing the lanyard. Do not attach the lanyard to the plastic handle.



DANGER: Care should be taken when using the lanyard to avoid entanglement with body parts.

3.

MG7TM

MINI GAP FLANGE SPREADER

3.1 TOOL CAPABILITIES

Spreading Force: 6.8 T (68 kN) per tool

It is recommended that tools are used in pairs giving $2 \times 6.8 = 13.6 \text{ T (136 kN)}$

The tool achieves a spreading distance of 27mm from a 2mm gap. At a 7mm gap the tool steps down the spreading force applied from 6.8 tonnes to 3.9 tonnes.

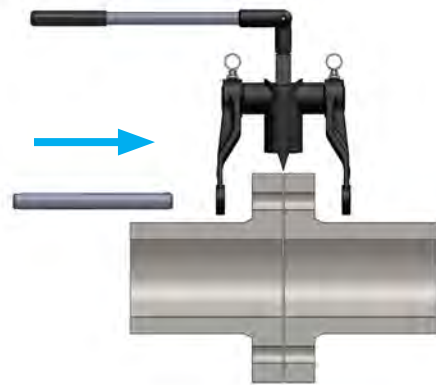
3.2 MG7TM TOOL FUNCTION

INTRODUCTION

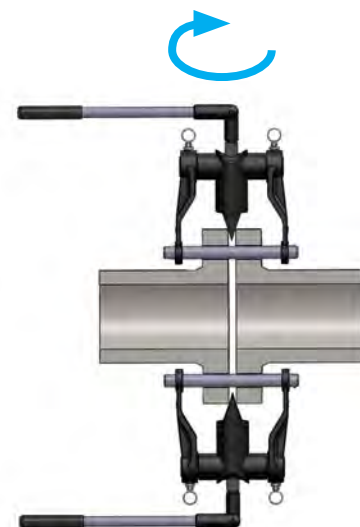
1. Select tool configuration



2. Tool assembly



3. Flange spreading



INSTALLATION AND OPERATION



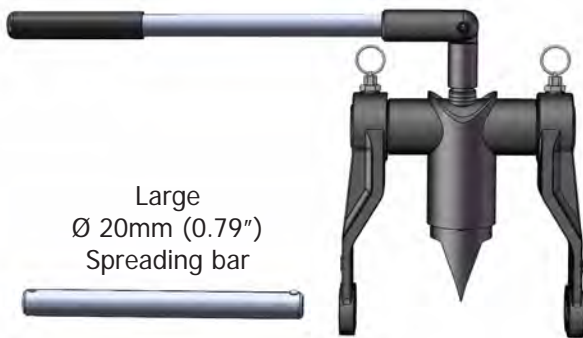
Before attaching the tool, ensure at least two flange bolts remain in place, 180 degrees apart, with nuts loosened sufficiently enough for flange work to be carried out. These bolts will reduce lateral flange movement during flange spreading and will help support the unit.



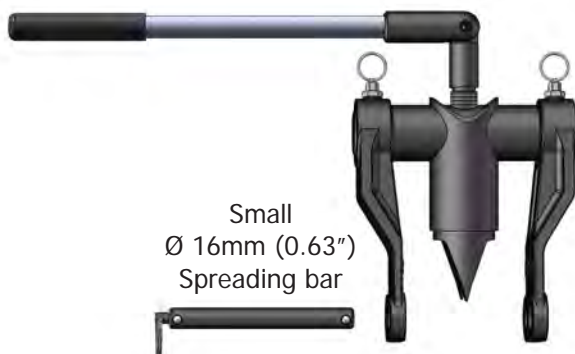
Do not extend the handle or use the smaller spreading bar as an extension bar.

Be aware of the dangers of breaking sealed flange joints. Ensure that relevant risk assessments have been carried out for the task and your company procedures must be followed at all times.

TOOL CONFIGURATION 1



TOOL CONFIGURATION 2



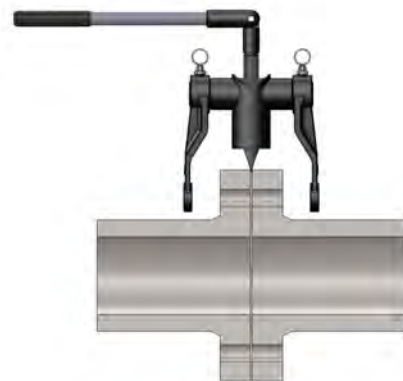
Choose the suitable configuration for the size and class of flange joint you wish to separate. See the application charts found at the end of of this manual.

The spreading bars are designed to only fit the correct flange specification. No two spreading bars can fit the same stud hole.

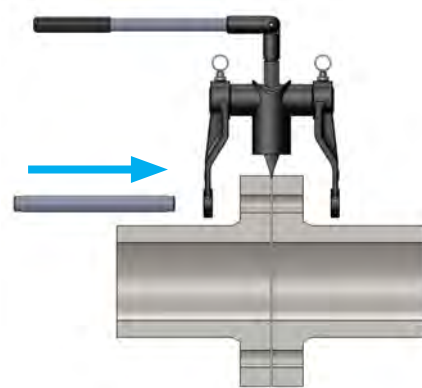


The flange bolting should be disassembled as per your company's procedures and risk assessment.

Place the tool over the flange joint and align with the desired stud hole.



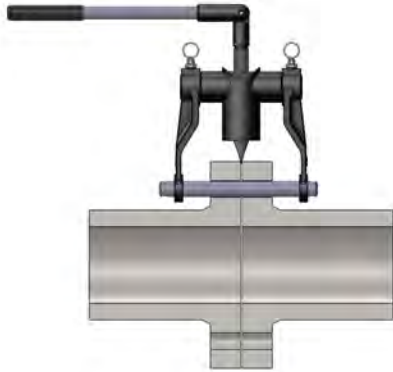
Engage the spreading bar through the leg of the tool and the flange stud hole.



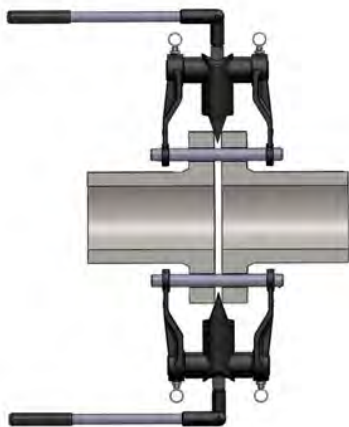
Do not hammer or use excessive force to fit the spreading bar. The bar should be fitted by hand.

FLANGE SPREADING AND SEAL REMOVAL

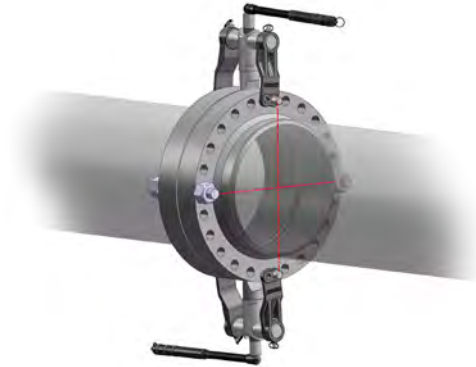
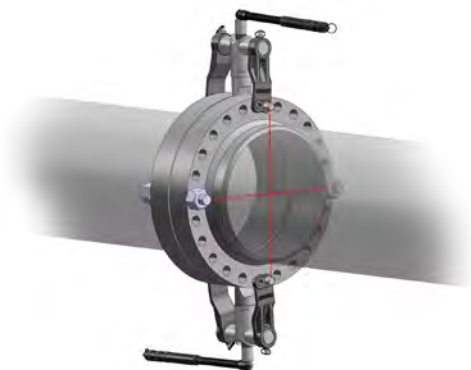
Take care to ensure the spreading bar is correctly fitted through the second leg of the tool. Check the wedge is positioned in the gap between the flange faces.



It is strongly recommended that two MG7TM Tools are used on the flange joint positioned 180 degrees apart.

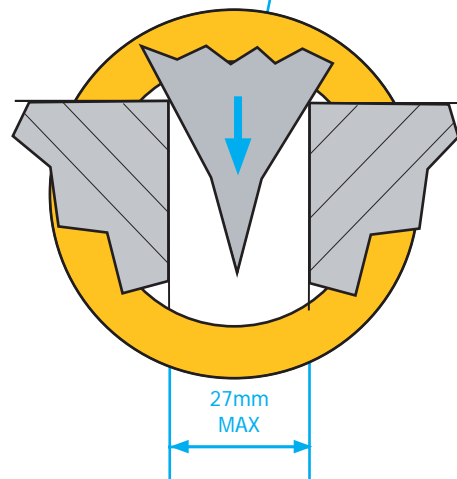
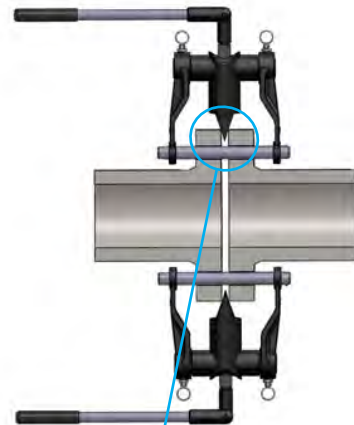


FLANGE SEPARATION



Turn each opposing tool a half turn at a time until the desired gap is achieved. Care must be taken to ensure the force is applied evenly.

The maximum spreading distance for the MG7TM is 27mm.



3.3

MG7TM KIT CONTENTS

Product Code: MG7TMSTD

- 1 x MG7TM Tool
- 1 x Ø 16mm (0.63") Spreading Bar
- 1 x Ø 20mm (0.79") Spreading Bar
- 1 x Instruction Manual
- 1 x Carry Case



Carry Case Dimensions:
360mm x 300mm x 90 mm
(14.2" x 11.8" x 3.5")

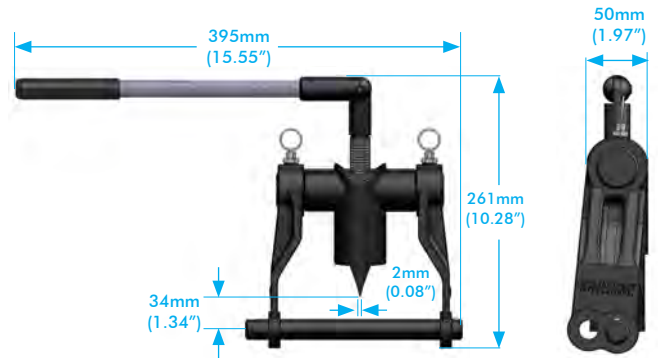
Tool only Weight: 5 kg (11.02 lb)
Gross Kit Weight: 5.5 kg (12.13 lb)

3.4

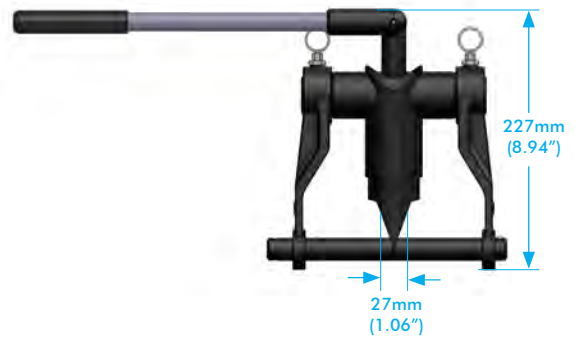
MG7TM TOOL DIMENSIONS

LARGE Ø20MM (0.79") SPREADING BAR

TOOL CONFIGURATION 1 RETRACTED WEDGE:

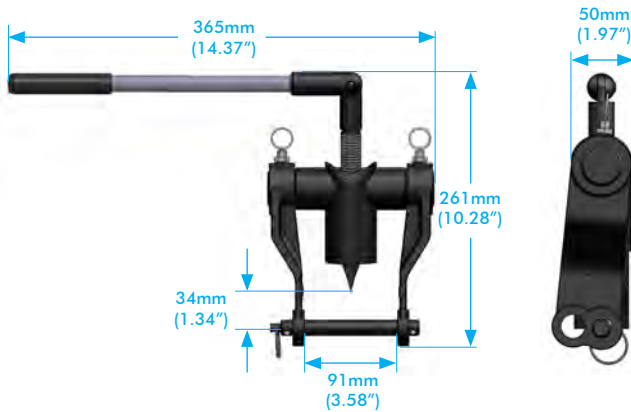


TOOL CONFIGURATION 1 ADVANCED WEDGE:



SMALL Ø16MM (0.63") SPREADING BAR

TOOL CONFIGURATION 2 RETRACTED WEDGE:



TOOL CONFIGURATION 2 ADVANCED WEDGE:



3.5

MG7TM TOOL MAINTENANCE

INSPECTION

A thorough inspection should be carried out prior to usage, storage or transportation to ensure the completeness and condition of the tool.

Inspection should include:

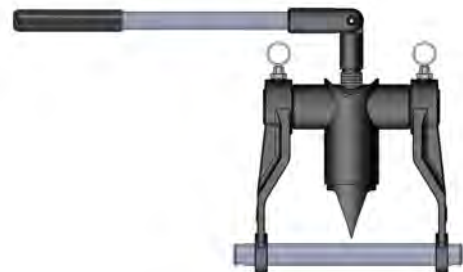
- visual inspection of the outer parts of the tool, checking for obvious damage, degradation or missing parts.

Cleaning and servicing should be undertaken as required prior to the tool being used, stored or transported.

CLEANING

At regular intervals, and specifically after being exposed to salt water, Mini-Gap mechanical tools should be dismantled and lubricated as follows:

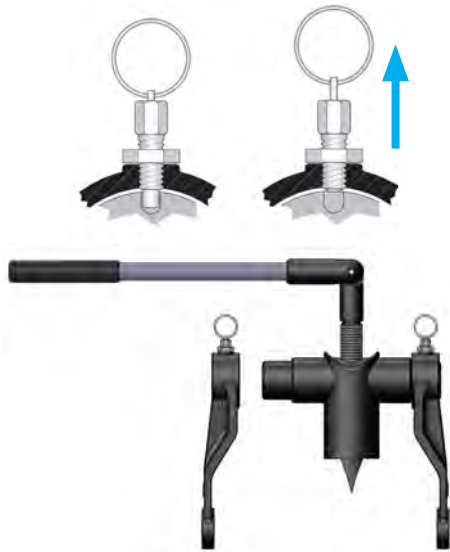
1. Lay the tool on a bench or flat surface with the right hand side face down.



2. Pull the spreading bar out of the tool.



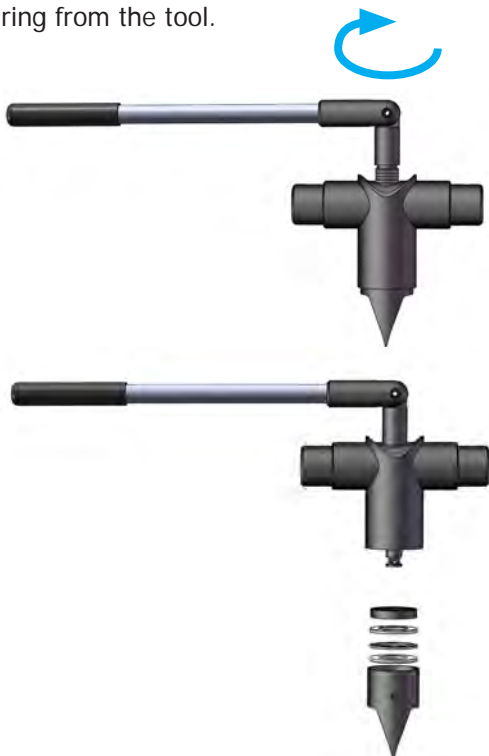
3. To Remove the left hand cast leg from the tool.
Pull the spring loaded plunger to release the leg.



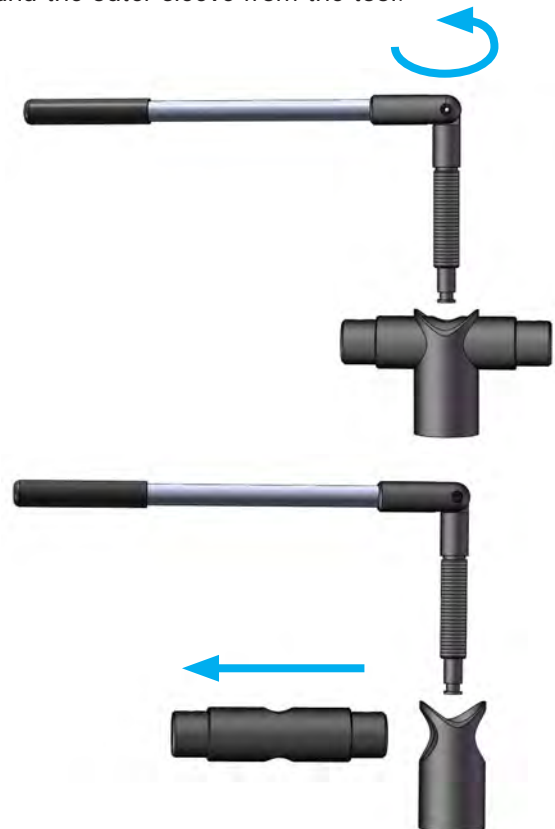
4. Remove the right hand cast leg from the tool.



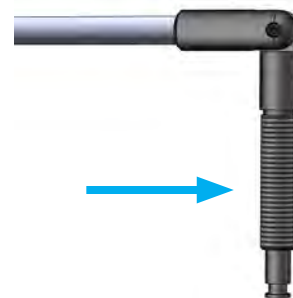
5. Drive the handle so that the splitter wedge moves down. Then remove the Splitter wedge and Thrust bearing from the tool.



6. Fully unscrew the drive screw. Remove the main body and the outer sleeve from the tool.



7. Apply grease to the drive screw.
Clean all components and inspect for wear and damage. Replace missing, worn or damaged parts. Use only genuine Equalizer parts from approved distributors or service centres. Equalizer parts have been engineered and manufactured to be fit for purpose.



8. Reassemble by reversing the disassembly procedure (steps 2 to 7).



Note: it is recommended that the tool is wiped down with a clean rag and WD40 or similar cleaning fluid to remove any dirt or grit and then liberally greased with a high load bearing grease (Rocol sapphire high load 2 or similar)

6. Once bags have been closed and sealed DO NOT re-open. Any visual inspections must be done with closed and sealed bags. If bags are opened the components will have to be dried, re-coated and re-sealed in bags/shrink wrap.
7. Replace silica gel (100g) EVERY TIME the case is opened.
NOTE: depending on moisture content of air, silica gel should be changed weekly.
8. Visually inspect kits after 30-days and every 30-days thereafter. Remember to replace silica gel before closing case.

STORAGE AND TRANSPORTATION

Equalizer tools should be stored in a cool, dry place. Tools should always be cleaned, serviced and lubricated prior to storage. Ensure that tools are stored in their designated packing cases.

LONG-TERM STORAGE - MAINTENANCE PLAN

1. Rub components down with a dry cloth to remove moisture.
2. Coat EVERY surface and contact point with a corrosion inhibitor. Where necessary, coat inside and outside of component
3. Nuts and threads must also be coated with a corrosion inhibitor.
4. Once surfaces have been coated, seal individual components in clear plastic bags or clear vacuum bags or clear shrink wrap.
NOTE: bags/shrink wrap must be clear for visibility. Take care when using shrink wrap that the tool is/ components are still easy to see.
5. Remove all or, where not vacuum sealed, as much air from bags as possible.

4.

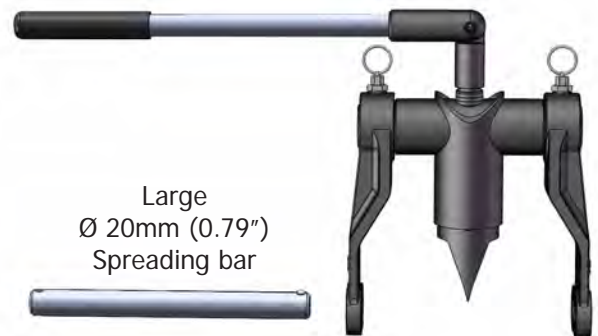
RANGE OF APPLICATION

Use the charts on the following pages to determine which spreading bar is suitable for a particular flange.

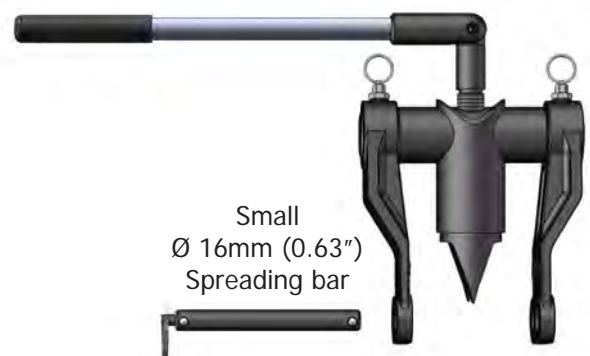
The charts are categorised as per flange type.

ASME	B16.5 Weldneck, Threaded, Slip-on and Blind flanges	➔	see section 4.1
	B16.5 Socket welded	➔	see section 4.2
	B16.5 Long welding neck flange	➔	see section 4.3
	B16.5 Lapped flange	➔	see section 4.4
	B16.47 Weldneck and Blind flanges	➔	see section 4.5
ANSI	Reducing	➔	see section 4.6
	Orifice - Weldneck flange	➔	see section 4.7
	Orifice - Slip-on and Threaded flanges	➔	see section 4.8
BS		➔	see section 4.9

TOOL CONFIGURATION 1



TOOL CONFIGURATION 2



4.1

ASME B16.5 WELDNECK, THREADED, SLIP-ON AND BLIND FLANGES

NPS	Class						
	150	300	400	600	900	1500	2500
1/2"	Small Bar	Small Bar	Small Bar	Small Bar	Large Bar	Large Bar	Large Bar
3/4"	Small Bar	Small Bar	Small Bar	Small Bar	Large Bar	Large Bar	Large Bar
1"	Small Bar	Small Bar	Small Bar	Small Bar	Large Bar	Large Bar	Large Bar
1 1/4"	Small Bar	Small Bar	Small Bar	Small Bar	Large Bar	Large Bar	Large Bar
1 1/2"	Small Bar	Large Bar	Large Bar	Large Bar	Large Bar	Large Bar	Large Bar
2"	Small Bar	Large Bar	Large Bar	Large Bar	Large Bar	Large Bar	Large Bar
2 1/2"	Small Bar	Large Bar	Large Bar	Large Bar	Large Bar	Large Bar	Large Bar
3"	Small Bar	Large Bar	Large Bar	Large Bar	Large Bar	Large Bar	Large Bar
3 1/2"	Small Bar	Large Bar	Large Bar	Large Bar	Large Bar	Large Bar	
4"	Small Bar	Large Bar	Large Bar	Large Bar	Large Bar	Large Bar	
5"	Large Bar	Large Bar	Large Bar	Large Bar	Large Bar		
6"	Large Bar	Large Bar	Large Bar	Large Bar	Large Bar		
8"	Large Bar	Large Bar	Large Bar	Large Bar	Large Bar		
10"	Large Bar	Large Bar	Large Bar	Large Bar			
12"	Large Bar	Large Bar	Large Bar	Large Bar			
14"	Large Bar	Large Bar	Large Bar				
16"	Large Bar	Large Bar	Large Bar				
18"	Large Bar	Large Bar	Large Bar				
20"	Large Bar	Large Bar					
22"							
24"	Large Bar	Large Bar					
26"	Large Bar						
28"	Large Bar						
30"	Large Bar						

4.2

ASME B16.5 SOCKET WELDED FLANGE

NPS	Class			
	150	300	600	1500
1/2"	Small Bar	Small Bar	Small Bar	Large Bar
3/4"	Small Bar	Small Bar	Small Bar	Large Bar
1"	Small Bar	Small Bar	Small Bar	Large Bar
1 1/4"	Small Bar	Small Bar	Small Bar	Large Bar
1 1/2"	Small Bar	Small Bar	Small Bar	Large Bar
2"	Small Bar	Small Bar	Small Bar	Large Bar
2 1/2"	Small Bar	Large Bar	Large Bar	Large Bar
3"	Small Bar	Large Bar	Large Bar	

4.3

ASME B16.5 Long welding neck flange

NPS	Class			
	150	300	600	900
1/2"	Small Bar	Small Bar	Small Bar	Large Bar
3/4"	Small Bar	Small Bar	Small Bar	Large Bar
1"	Small Bar	Small Bar	Small Bar	Large Bar
1 1/4"	Small Bar	Small Bar	Small Bar	Large Bar
1 1/2"	Small Bar	Small Bar	Small Bar	Large Bar
2"	Small Bar	Small Bar	Small Bar	Large Bar
2 1/2"	Small Bar	Large Bar	Large Bar	Large Bar
3"	Small Bar	Large Bar	Large Bar	Large Bar
3 1/2"	Small Bar	Large Bar	Large Bar	Large Bar
4"	Small Bar	Large Bar	Large Bar	Large Bar
5"	Large Bar	Large Bar	Large Bar	Large Bar
6"	Large Bar	Large Bar	Large Bar	Large Bar
8"	Large Bar	Large Bar	Large Bar	Large Bar
10"	Large Bar	Large Bar	Large Bar	
12"	Large Bar	Large Bar	Large Bar	
14"	Large Bar	Large Bar		
16"	Large Bar	Large Bar		
18"	Large Bar	Large Bar		
20"	Large Bar	Large Bar		
22"				
24"	Large Bar	Large Bar		
26"	Large Bar			
28"	Large Bar			
30"	Large Bar			

4.4

ASME B16.5 Lapped flange

NPS	Class						
	150	300	400	600	900	1500	2500
1/2"	Small Bar	Small Bar	Small Bar	Small Bar	Large Bar	Large Bar	Large Bar
3/4"	Small Bar	Small Bar	Small Bar	Small Bar	Large Bar	Large Bar	Large Bar
1"	Small Bar	Small Bar	Small Bar	Small Bar	Large Bar	Large Bar	Large Bar
1 1/4"	Small Bar	Small Bar	Small Bar	Small Bar	Large Bar	Large Bar	Large Bar
1 1/2"	Small Bar	Small Bar	Small Bar	Small Bar	Large Bar	Large Bar	Large Bar
2"	Small Bar	Small Bar	Small Bar	Small Bar	Large Bar	Large Bar	Large Bar
2 1/2"	Small Bar	Large Bar	Large Bar	Large Bar	Large Bar	Large Bar	
3"	Small Bar	Large Bar	Large Bar	Large Bar	Large Bar	Large Bar	
3 1/2"	Small Bar	Large Bar	Large Bar	Large Bar	Large Bar		
4"	Small Bar	Large Bar	Large Bar	Large Bar	Large Bar		
5"	Large Bar	Large Bar	Large Bar	Large Bar			
6"	Large Bar	Large Bar	Large Bar	Large Bar			
8"	Large Bar	Large Bar	Large Bar	Large Bar			
10"	Large Bar	Large Bar	Large Bar				
12"	Large Bar	Large Bar					

4.5

ASME B16.47 Weldneck and blind flanges

Class	
NPS	150
26"	Large Bar
28"	Large Bar
30"	Large Bar
32"	Large Bar
34"	Large Bar
36"	Large Bar
42"	Large Bar
48"	Large Bar
54"	Large Bar
60"	Large Bar

4.6

ANSI Reducing

Class							
NPS	150	300	400	600	900	1500	2500
1/2"	Small Bar	Small Bar	Small Bar	Small Bar	Large Bar	Large Bar	Large Bar
3/4"	Small Bar	Small Bar	Small Bar	Small Bar	Large Bar	Large Bar	Large Bar
1"	Small Bar	Small Bar	Small Bar	Small Bar	Large Bar	Large Bar	Large Bar
1 1/4"	Small Bar	Small Bar	Small Bar	Small Bar	Large Bar	Large Bar	Large Bar
1 1/2"	Small Bar	Small Bar	Small Bar	Small Bar	Large Bar	Large Bar	Large Bar
2"	Small Bar	Small Bar	Small Bar	Small Bar	Large Bar	Large Bar	Large Bar
2 1/2"	Small Bar	Large Bar	Large Bar	Large Bar	Large Bar	Large Bar	Large Bar
3"	Small Bar	Large Bar	Large Bar	Large Bar	Large Bar	Large Bar	Large Bar
3 1/2"	Small Bar	Large Bar	Large Bar	Large Bar	Large Bar	Large Bar	
4"	Small Bar	Large Bar	Large Bar	Large Bar	Large Bar	Large Bar	
5"	Large Bar	Large Bar	Large Bar	Large Bar	Large Bar		
6"	Large Bar	Large Bar	Large Bar	Large Bar	Large Bar		
8"	Large Bar	Large Bar	Large Bar	Large Bar	Large Bar		
10"	Large Bar	Large Bar	Large Bar	Large Bar			
12"	Large Bar	Large Bar	Large Bar	Large Bar			
14"	Large Bar	Large Bar	Large Bar				
16"	Large Bar	Large Bar	Large Bar				
18"	Large Bar	Large Bar	Large Bar				
20"	Large Bar	Large Bar					
22"	Large Bar	Large Bar					
24"	Large Bar	Large Bar					
26"	Large Bar						
28"	Large Bar						
30"	Large Bar						

4.7

ANSI Orifice - Weldneck flange

NPS	Class					
	300	400	600	900	1500	2500
1"	Small Bar	Small Bar	Small Bar	Large Bar	Large Bar	Large Bar
1 1/2"	Large Bar	Large Bar	Large Bar	Large Bar	Large Bar	Large Bar
2"	Small Bar	Small Bar	Small Bar	Large Bar	Large Bar	Large Bar
2 1/2"	Large Bar	Large Bar	Large Bar	Large Bar	Large Bar	Large Bar
3"	Large Bar	Large Bar	Large Bar	Large Bar	Large Bar	Large Bar
4"	Large Bar	Large Bar	Large Bar	Large Bar	Large Bar	
6"	Large Bar	Large Bar	Large Bar	Large Bar		
8"	Large Bar	Large Bar	Large Bar	Large Bar		
10"	Large Bar	Large Bar	Large Bar			
12"	Large Bar	Large Bar	Large Bar			
14"	Large Bar	Large Bar				
16"	Large Bar	Large Bar				
18"	Large Bar	Large Bar				
20"	Large Bar					
22"	Large Bar					
24"	Large Bar					

4.8

ANSI Orifice - Slip-on and Threaded flanges

NPS	Class
	300
1"	Small Bar
1 1/2"	Large Bar
2"	Small Bar
2 1/2"	Large Bar
3"	Large Bar
4"	Large Bar
6"	Large Bar
8"	Large Bar
10"	Large Bar
12"	Large Bar
14"	Large Bar
16"	Large Bar
18"	Large Bar
20"	Large Bar
22"	Large Bar
24"	Large Bar

5.

REGULATORY INFORMATION

5.1

REGISTERED HEAD OFFICE

EQUALIZER INTERNATIONAL LTD.
Equalizer House
Claymore Drive
Aberdeen
Scotland
AB23 8GD

6.

PARTS LISTS & SERVICE KITS

MG7TM MINI GAP FLANGE SPREADER



ITEM	PART NO.	DESCRIPTION	QTY.
01		READ INST. STICKER	01 each
02		QC SEALED STICKER	01 each
03		MG7TM WRAP STICKER	01 each
04	301301-01	M6X12 GRUB SCREW	01 each
05	313401-01	THRUST WASHER	01 set of 2
06	313501-01	THRUST RACE	01 each
07	403102-01	SPLIT RING 1 1/4" 32mm	02 each
08	632001-01	M8 SPRING PLUNGER	01 set of 2
09	740101-01	CAST LEG LEFT HAND	01 each
10	740201-01	CAST LEG RIGHT HAND	01 each
11	740301-01	MAIN BODY	01 each
12	740401-01	SPLITTER WEDGE	01 each
13	740501-01	LARGE SPREADING BAR	01 each
14	740601-01	SMALL SPREADING BAR	01 each
15	740701-01	DRIVE SCREW	01 each
16	740901-01	OUTER SLEEVE	01 each
17	741101-01	8 MM PLUNGER	01 each
18	740801-01	HANDLE PLUG	01 each
19	742001-01	BEARING WASHER	01 each
20	742101-01	7 MM PLUNGER	01 set of 2
21	743101-01	COILED SPRING PIN	01 each
22	373401-01	HANDLE ROD	01 each
23	306502-01	HANDLE GRIP	01 each



EQUALIZER INTERNATIONAL LTD.

Head Office
Equalizer House
Claymore Drive
Aberdeen
Scotland
UK

AB23 8GD

t: +44 (0) 1224 701970

f: +44 (0) 1224 823791

www.equalizerinternational.com