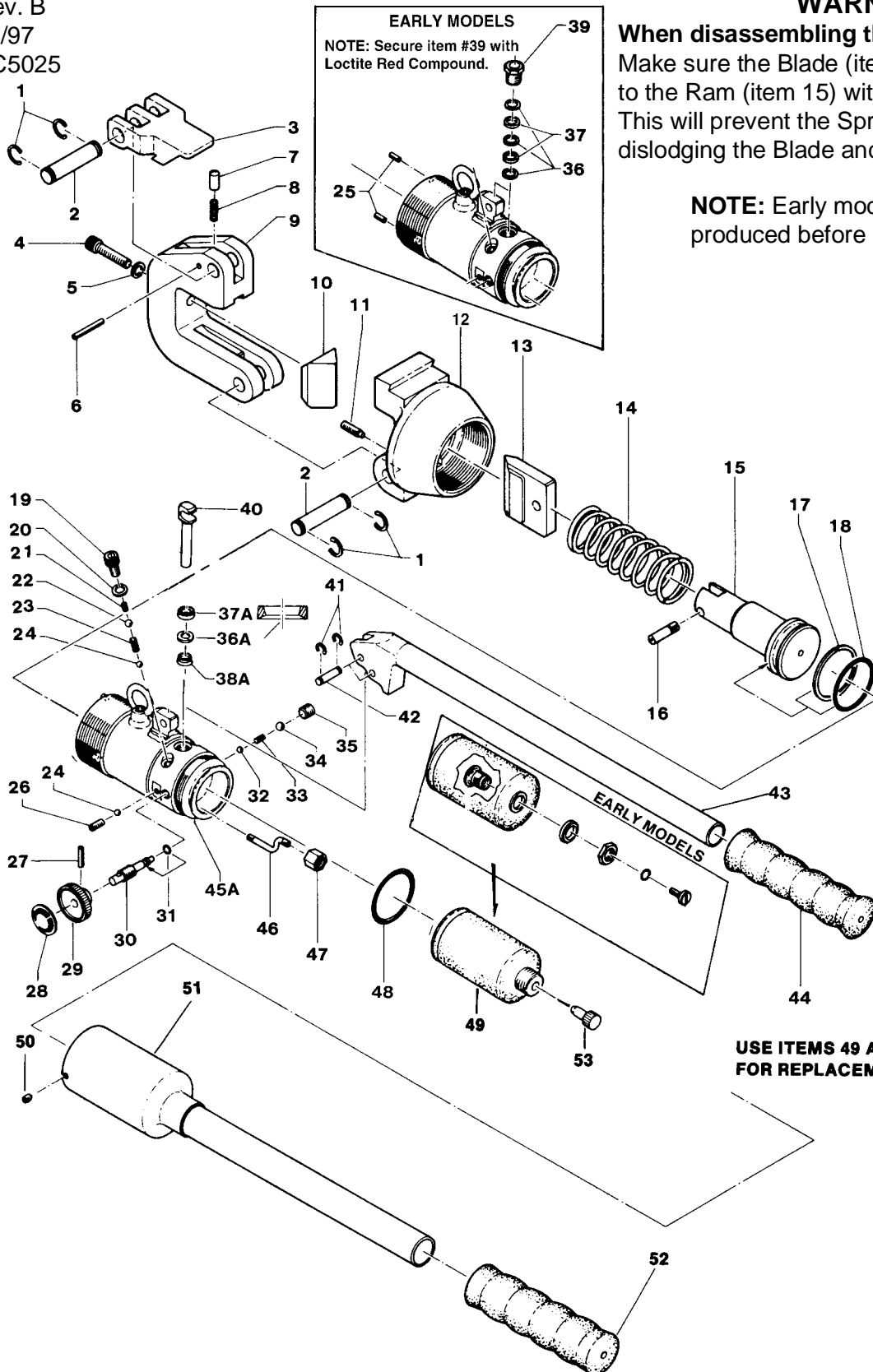


L-1086  
Rev. B  
05/97  
PC5025

**WARNING**

**When disassembling the Body Head (item 12):**  
Make sure the Blade (item 13) stays attached to the Ram (item 15) with the Screw (item 16). This will prevent the Spring (item 14) from dislodging the Blade and injuring you or others.

**NOTE:** Early models were produced before March, 1983;



TO PROTECT YOUR WARRANTY, USE ONLY ENERPAC HYDRAULIC OIL.

## REPAIR PARTS LIST

Item No.	Part Number	Qty.	Description	Item No.	Part Number	Qty.	Description
1	★ WM1252604	4	Snap Ring	28	WM1253214	1	Release Knob Label
2	WM1252603	2	Pin	29	WM1253215	1	Release Knob
3	WM1003201	1	Latch	30	WM1253216	1	Release Valve Stem
4	WM1003202	1	M8 x 35 Screw	31	★ WM581636	1	O-Ring
5	WM1584025	1	M8 Lock Washer	32	★ B1006016	1	7/32" Ball
6	WM1252602	1	4 x 36 Drive Pin	33	★ WM581639	1	Release Valve Spring
7	WM1252606	1	Spring Holder	34	★ B1008016	1	9/32" Ball
8	★ WM1252607	1	Latch Spring	35	WM581641	1	Release Valve Screw
9	WM1003203	1	Head	36	★ WM1253217	3	B-U Ring (early models)
10	WM1003204	1	Anvil Blade	36A	★ WM1003301	1	B-U Ring (latest models)
11	WM585511	1	Stopper Screw	37	★ WM1253218	2	Pent Seal (early models)
12	WM1003205	1	Body Head	37A	★ WM1253218	1	Pent Seal (latest models)
13	WCB1000	1	Cutter Blade	38A	★ WM1003302	1	Oil Seal (latest models)
14	WM1003207	1	Ram Spring	39	WM1253220	1	Gland (early models)
15	WM1003208	1	Ram	40	WM1253221	1	Pump Piston
16	WM1253209	1	Blade Screw	41	★ WM1584049	4	Snap Ring
17	★ WM1253210	1	Back-Up Ring	42	WM1252629	2	Pin
18	★ WM1253211	1	O-Ring	43	WM1252630	1	Pump Handle
19	WM1252619	1	Exhaust Valve Screw	44	WM1252631	1	Pump Handle Grip
20	★ WM1252620	1	Copper Gasket	45	WM1003209	1	Body
21	★ WM1252621	1	Exhaust Valve Spring	46	WM1252634	1	Suction Tube
22	★ B1007016	1	1/4" Ball	47	WM1252635	1	Filter Base Assembly
23	★ WM581648	1	Suction Valve Spring	48	★ WM1252637	1	P-38 O-Ring
24	★ B1005016	1	3/16" Ball	49	WM1003303	1	Oil Reservoir (latest models)
25	WM1253212	2	3 x 10 Drive Pin	50	★ WM1584054	1	M5 x 0.8 x 5 Screw
26	WM1253223	1	M6 x 15 Screw	51	WM1252639	1	Body Handle
27	WM1253213	1	2.5 x 20 Drive Pin	52	WM1252640	1	Body Handle Grip
				53	WM1584155	1	Reservoir Cap

★ Indicates items included in and available only as part of Repair Kit WMC100125K1.

### Australia

ENERPAC  
Applied Power Australia, Ltd.  
P.O. Box 261 Regents Park  
Sydney, N.S.W. 2143  
Tel: (61) (2) 9743 8988  
Fax: (61) (2) 9743 8648

### CIS

Applied Power Moscow  
Leninsky Prospekt 95A  
117313 Moscow, Russia  
Tel: (7)(95) 936 5090  
Fax: (7)(95) 936 2006

### France, Switzerland, Turkey, Greece, Africa, Middle East

ENERPAC S.A.  
Parc d'Activité du Moulin  
de Massy  
1 rue du Saule trapu, BP200  
F-91882 Massy CEDEX  
(Paris) France  
Tel: (33) 1 60 13 68 68  
Fax: (33) 1 69 20 37 50

### Germany, Scandinavia, Eastern Europe, Austria, Switzerland

ENERPAC  
Applied Power GmbH  
P.O. Box 30 01 13  
Mündelheimer Weg 51  
40401 Düsseldorf 30  
Germany  
Tel: (49) (211) 47 14 90  
Fax: (49) (211) 47 14 928/940

### Holland, Belgium, and Luxemburg

ENERPAC B.V.  
P.O. Box 269, Storkstraat 25  
3900AG Veenendaal  
Holland  
Tel: (31) (318) 535911  
Fax: (31) (318) 525613/526645

### Hong Kong

ENERPAC  
Room No. 907, Workingberg  
Commercial Building  
41-47 Marble Road, North Point  
Tel: (852) 561-6295  
Fax: (852) 561-6772

### India

ENERPAC  
Hydraulics (India) Pvt Ltd.  
203 Vardhaman Chamber  
Plot #84, Sector 17  
Vashi, New Bombay 400 705  
India  
Tel: 91-22-7631062  
Fax: 91-22-7670309

### Italy

ENERPAC  
Applied Power Italiana S.p.A.  
Via Canova, 4  
20094 Corsico (Milano)  
Italy  
Tel: 39 2 45 82 741/2/3  
Fax: 39 2 48 60 12 88

### Japan

Applied Power Japan LTD  
10-17 Sasame Kita-cho  
Toda-City  
Saitama 335,  
Japan  
Tel: 81 048 422 2251  
Telex: J26275  
Fax: 81 048 422 0596

### Mexico

ENERPAC  
Applied Power Mexico S.A. de C.V.  
Av. Principal La Paz #100  
Fracc. Industrial La Paz  
42084 Pachuca, Hidalgo, Mexico  
Tel: (52) 771 33700  
Fax: (52) 771 83800

### Singapore

Applied Power Asia Pte Ltd.  
47 Jalan Pemimpin #01-02  
01-03 Sin Cheong Building  
Singapore 2057  
Thomson Road P.O. Box 114  
Singapore 9157  
Tel: (65) 258 1677  
Fax: (65) 258 2847

### South Korea

ENERPAC  
Applied Power Korea Ltd.  
163-12, Dodang-Dong  
Wonmi-gu, Buchun-Shi,  
Kyunggi-Do  
Korea  
Tel: (82) (32) 675 0836  
Fax: (82) (32) 675 3002

### Spain, Portugal

ENERPAC  
Applied Power International, S.A.  
Calle de la Imprenta, 7  
Polígono Industrial  
28100 Alcobendas (Madrid)  
Spain  
Tel: (34) 1 661 11 25  
Fax: (34) 1 661 47 89

### United Kingdom, Ireland

ENERPAC Ltd. Unit 3  
Colemeadow Road  
North Moons Moat  
Redditch, Worcester B98 9BP  
England  
Tel: 44 01527 598 900  
Fax: 44 01527 585 500

### United States, Canada, Latin America and Caribbean

ENERPAC  
13000 West Silver Spring Drive  
Butler, Wisconsin 53007, USA  
Tel: (414) 781-6600  
1-800-433-2766 (End User)  
1-800-558-0530 (Distributor)  
Fax: (414) 781-1049

### Canada

Tel: 1-800-426-4129 (End User)  
Tel: 1-800-426-2284 (Distributor)

### Latin America and Caribbean

Tel: (414) 781-6600 ext. 263  
Fax: (414) 781-5561



All Enerpac products are guaranteed against defects in workmanship and materials for as long as you own them. Under this guarantee, free repair or replacement will be made to your satisfaction.

For prompt service, contact your Authorized Enerpac Service Center or call toll free:

In U.S.A. 1-800-558-0530  
In Canada 1-800-426-2284