

L-1145  
 Rev. B  
 03/97  
 PC4205

For date codes beginning with "A"

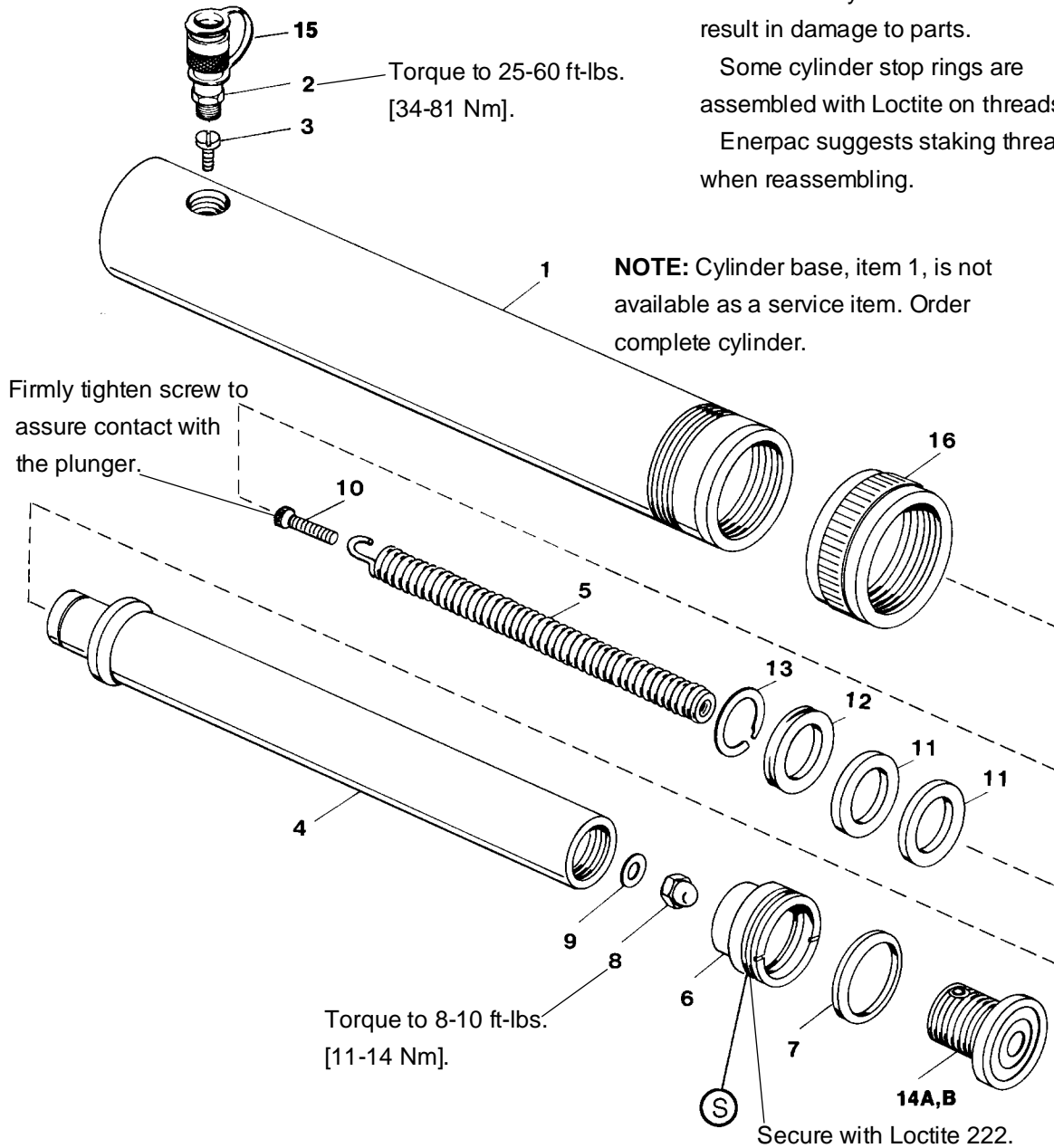
**S CAUTION**

Indicates staked threads.

Stake mark must be removed prior to disassembly. Failure to do so may result in damage to parts.

Some cylinder stop rings are assembled with Loctite on threads.

Enerpac suggests staking threads when reassembling.



**REPAIR PARTS LIST**

<b>Item Number</b>	<b>Model RC-57</b>	<b>Model RC-59</b>	<b>Quantity</b>	<b>Description</b>
1	<i>Not a service item. Order complete cylinder.</i>		1	Base
2	CR-400	CR-400	1	Coupler
3	<i>Std. Hdw.</i>	<i>Std. Hdw.</i>	1	Screw #10-24 x 5/8"
4	CF455040	CF456040	1	Plunger
5	CF452110SR	CF453110SR	1	Spring Ass'y (incl. item 8,9,10)
6	F748044	F748044	1	Stop Ring
7	★	★	1	Wiper Ring
8	<i>Std. Hdw.</i>	<i>Std. Hdw.</i>	1	Acorn Nut #10-32 UNF
9	★	★	1	Gasket
10	<i>Std. Hdw.</i>	<i>Std. Hdw.</i>	1	Screw #10-32 x 3/4" S.H.
11	G953107	G953107	2	Rod Bearing
12	★	★	1	U-Cup
13	★	★	1	Retaining Ring
14A	A53F	A53F	1	Flat Saddle
14B	A53G	A53G	1	Grooved Saddle
15	CD-411	CD-411	1	Dust Cap (not shown)
16	DC1241271	DC1241271	1	Thread Protector
	RC53K	RC53K	1	Repair Kit

★ Items included in and available only as part of the Repair Kit.  
 Note: For Viton seals, order Repair Kit RC53KV in place of Repair Kit RC53K.

**Australia**

ENERPAC  
 Applied Power Australia, Ltd.  
 P.O. Box 261 Regents Park  
 Sydney, N.S.W. 2143  
 Tel: (61) (2) 9743 8988  
 Fax: (61) (2) 9743 8648

**CIS**

Applied Power Moscow  
 Leninsky Prospekt 95A  
 117313 Moscow, Russia  
 Tel: (7)(95) 936 5090  
 Fax: (7)(95) 936 2006

**France, Switzerland, Turkey, Greece, Africa, Middle East**

ENERPAC S.A.  
 Parc d'Activité du Moulin de Massy  
 1 rue du Saule trapu, BP200  
 F-91882 Massy CEDEX  
 (Paris) France  
 Tel: (33) 1 60 13 68 68  
 Fax: (33) 1 69 20 37 50

**Germany, Scandinavia, Eastern Europe, Austria, Switzerland**

ENERPAC  
 Applied Power GmbH  
 P.O. Box 30 01 13  
 Mündelheimer Weg 51  
 40401 Düsseldorf 30  
 Germany  
 Tel: (49) (211) 47 14 90  
 Fax: (49) (211) 4714 928/940

**Holland, Belgium, and Luxembourg**

ENERPAC B.V.  
 P.O. Box 269, Storkstraat 25  
 3900AG Veenendaal  
 Holland  
 Tel: (31) (318) 535911  
 Fax: (31) (318) 525613/526645

**Hong Kong**

ENERPAC  
 Room No. 907, Workingberg  
 Commercial Building  
 41-47 Marble Road, North Point  
 Tel: (852) 561-6295  
 Fax: (852) 561-6772

**India**

ENERPAC  
 Hydraulics (India) Pvt Ltd.  
 203 Vardhaman Chamber  
 Plot #84, Sector 17  
 Vashi, New Bombay 400 705  
 India  
 Tel: 91-22-7631062  
 Fax: 91-22-7670309

**Italy**

ENERPAC  
 Applied Power Italiana S.p.A.  
 Via Canova, 4  
 20094 Corsico (Milano)  
 Italy  
 Tel: 39 2 45 82 741/2/3  
 Fax: 39 2 48 60 12 88

**Japan**

Applied Power Japan LTD  
 10-17 Sasame Kita-cho  
 Toda-City  
 Saitama 335,  
 Japan  
 Tel: 81 048 422 2251  
 Telex: J26275  
 Fax: 81 048 422 0596

**Mexico**

ENERPAC  
 Applied Power Mexico S.A. de C.V.  
 Av. Principal La Paz #100  
 Fracc. Industrial La Paz  
 42084 Pachuca. Hidalgo, Mexico  
 Tel: (52) 771 33700  
 Fax: (52) 771 83800

**Singapore**

Applied Power Asia Pte Ltd.  
 47 Jalan Pemimpin #01-02  
 Singapore 2057  
 Thomson Road P.O. Box 114  
 Singapore 9157  
 Tel: (65) 258 1677  
 Fax: (65) 258 2847

**South Korea**

ENERPAC  
 Applied Power Korea Ltd.  
 163-12, Dodang-Dong  
 Wonmi-gu, Buchun-Shi,  
 Kyunggi-Do  
 Korea  
 Tel: (82) (32) 675 0836  
 Fax: (82) (32) 675 3002

**Spain, Portugal**

ENERPAC  
 Applied Power International, S.A.  
 Calle de la Imprenta, 7  
 Poligono Industrial  
 28100 Alcobendas (Madrid)  
 Spain  
 Tel: (34) 1 661 11 25  
 Fax: (34) 1 661 47 89

**United Kingdom, Ireland**

ENERPAC Ltd. Unit 3  
 Colemeadow Road  
 North Moons Moat  
 Redditch, Worcester B98 9BP  
 England  
 Tel: 44 01527 598 900  
 Fax: 44 01527 585 500

**United States, Canada, Latin America and Caribbean**

ENERPAC  
 13000 West Silver Spring Drive  
 Butler, Wisconsin 53007, USA  
 Tel: (414) 781-6600  
 1-800-433-2766 (End User)  
 1-800-558-0530 (Distributor)  
 Fax: (414) 781-1049

**Canada**  
 Tel: 1-800-426-4129 (End User)  
 Tel: 1-800-426-2284 (Distributor)

**Latin America and Caribbean**  
 Tel: (414) 781-6600 ext. 263  
 Fax: (414) 781-5561



**All Enerpac products are guaranteed against defects in workmanship and materials for as long as you own them. Under this guarantee, free repair or replacement will be made to your satisfaction.**

**For prompt service, contact your Authorized Enerpac Service Center or call toll free:**

**In U.S.A. 1-800-558-0530  
 In Canada 1-800-426-2284**