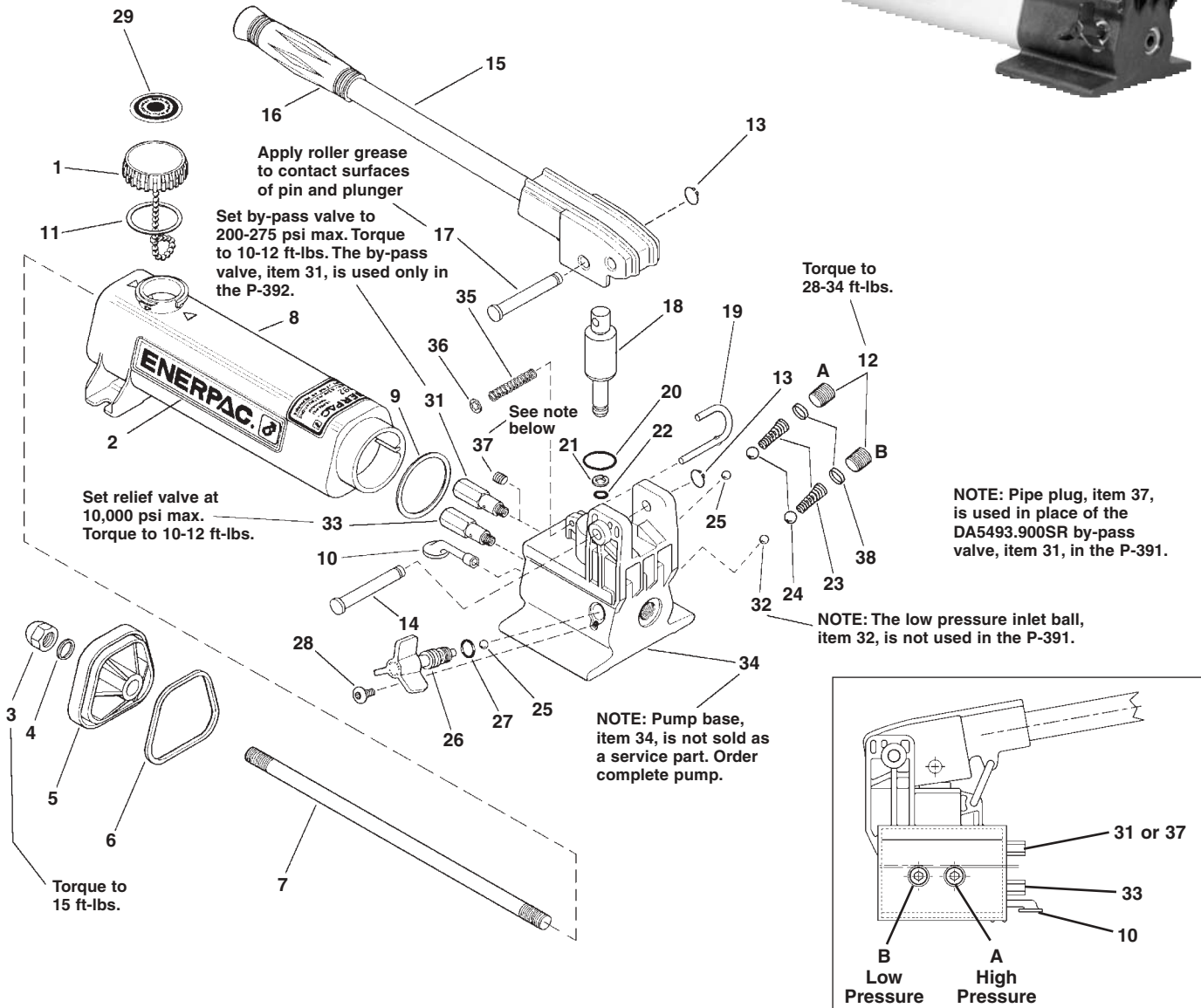


### To Protect Your Warranty, Use Only ENERPAC Hydraulic Oil.

Enerpac recommends that all kit components be installed to insure optimum performance of the repaired product.

#### WARNING:

To ensure that the internal relief valve setting is correct, check the model number when servicing the product. The setting may require adjustment based on the pressure setting designated by the dash code (-XXXX) of the model number.



## Repair Parts List for Figure 1

Item	Part No.	Qty.	Description	Item	Part No.	Qty.	Description
1	CN766950SR	1	Vent Cap Assembly (incl. item 11,29)	19	CM927061SR	1	Locking Pin (incl. item 35,36)
2	★	1	Enerpac Decal	20	★	1	O-Ring
3	CL341055	1	Acorn Nut	21	★	1	Back-Up Ring
4	★	1	Gasket	22	★	1	O-Ring
5	CN814020SR	1	End Cap (incl. item 3,4,6)	23	★	2	Spring
6	★	1	Gasket O-Ring	24	★	2	5/16" Ball
7	CL127149	1	Tie Rod	25	★	2	7/32" Ball
8	CR72025SR	1	Reservoir (yellow incl. item 2,3,4,6,9,11)	26	CL913900SR	1	Spindle Assembly (incl. item 25,27,28)
	S95032025	1	Reservoir (red incl. item 2,3,4,6,9,11)	27	★	1	O-Ring
9	★	1	Gasket	28	★	1	Screw
10	DA3729900SR	1	Oil Filter	29	★	1	Vent Cap Decal
11	★	1	Gasket	31	DA5493900SR	1	Bypass Valve (P392 Only)
12	CN815006	2	Pipe Plug	32	★	1	7/32" Inlet Check Ball (P392 Only)
13	★	2	Retaining Ring	33	DA8802900SR	1	Relief Valve
14	★CR214061SR	1	Beam Pin (incl. item 13)	34	Order complete pump	1	Base (not available as service item)
15	CL918900SR	1	Beam and Handle Assembly	35	★	1	Spring
16	CL343550	1	Handle Grip	36	★	1	Retaining Ring
17	DC106061SR1	1	Cross Pin	37	A1006245	1	Pipe Plug (P391 Only)
18	CR333040SR	1	Plunger Assembly (incl. item 13,17,21,22)	38	★	2	Spring Cap

★ Indicates items included in, and available only as part of Repair Kit P391K2

**NOTE:** Bypass Valve, Item 31, and Inlet Check Ball, Item 32, are not used in the single-speed P391 model Pump.  
Use Item 37 in place of Item 31.

### Enerpac Worldwide Locations

✦ e-mail: [info@enerpac.com](mailto:info@enerpac.com)

✦ internet: [www.enerpac.com](http://www.enerpac.com)

#### Australia

ENERPAC, Applied Power Australia Ltd.  
Block V Unit 3  
Regents Park Estate  
391 Park Road  
Regents Park NSW 2143  
(P.O. Box 261) Australia  
Tel: +61 297 438 988  
Fax: +61 297 438 648

#### Germany, Switzerland, Austria, Eastern Europe

ENERPAC  
Applied Power GmbH  
P.O. Box 300113  
D-40401 Düsseldorf  
Germany  
Tel: +49 211 471 490  
Fax: +49 211 471 49 28

#### Japan

Applied Power Japan Ltd.  
1-1-11, Shimomae  
Toda-shi  
Saitama Pref.  
Japan 335-0016  
Tel: +81-48-430-1055  
Fax: +81-48-430-1066

#### South Korea

ENERPAC  
Applied Power Korea Ltd.  
163-12 Dodang-Dong  
Choong-Ku, Buchun-shi  
Kyunggi-Do  
Republic of Korea  
Tel: +82 32 675 08 36  
Fax: +82 32 675 30 02

#### Canada

Applied Power Canada Ltd.  
6615 Ordan Drive, Unit 14-15  
Mississauga, Ontario L5T 1X2  
Tel: +1 905 564 5749  
Fax: +1 905 564 0305

#### Hong Kong

ENERPAC  
Room 907 Workingberg  
Commercial Building  
41-47 Marble Road  
North Point  
Tel: +852-2561 6295  
Fax: +852-2561 6772

#### Mexico

ENERPAC Applied Power  
Mexico S.A. de C.V.  
Avenida Principal  
La Paz #100  
Fracc. Industrial La Paz  
42084 Pachuca, Hidalgo  
Tel: +52 771 337 00  
Fax: +52 771 838 00

#### Spain, Portugal

ENERPAC  
Applied Power International S.A.  
Avda. Camino de lo Cortado 21  
San Sebastian de los Reyes  
28709 Madrid  
Spain  
Tel: +34 91 661 11 25  
Fax: +34 91 661 47 89

#### Toll Free:

Tel: +1 800 268 4987  
Fax: +1 800 461 2456

#### China

Shanghai Blackhawk  
Machinery Co Ltd  
15H Jinxuang Building  
238 Nandan Road (E)  
Shanghai, 200030  
China  
Tel: +86 21 5866 9099  
Fax: +86 21 5866 7156

#### India

ENERPAC  
Hydraulics Technology  
(India) Pvt Ltd  
Plot No. A-571  
MIDC, TTC Industrial Area  
Mahape-400 701  
Navi Mumbai, India  
Tel: +91 22 769 47 78  
Fax: +91 22 769 84 73

#### The Netherlands, Belgium, Luxembourg, Sweden, Denmark, Norway, Finland

ENERPAC B.V.  
Storkstraat 25 /  
P.O. Box 269, 3900 AG Veenendaal  
The Netherlands  
Tel: +31 318 535 911  
Fax: +31 318 525 613  
+31 318 535 848

#### United Kingdom, Ireland

ENERPAC Limited  
Unit 3, Colemeadow Road  
North Moons Moat  
Redditch  
Worcester B98 9BP  
United Kingdom  
Tel: +44 01527 598 900  
Fax: +44 01527 585 500

#### France, Turkey, Greece, Africa, Middle East

ENERPAC S.A.  
B.P. 200  
Parc d'Activités  
du Moulin de Massy  
F-91882 Massy CEDEX (Paris) France  
Tel: +33 1 601 368 68  
Fax: +33 1 692 037 50

#### Italy

ENERPAC  
Applied Power Italiana S.p.A.  
Via Canova 4  
20094 Corsico (Milano)  
Tel: +39 2 486 111 00  
Fax: +39 2 486 012 88

#### Singapore

Applied Power Asia Pte Ltd  
No. 8, Ang Mo Kio,  
Industrial Park 2  
#01-00  
Singapore 569500  
Thomson Road  
P.O. Box 114  
Singapore 915704  
Tel: +65 484 5108  
Fax: +65 484 5669

#### USA, Latin America and Caribbean

ENERPAC  
P.O. Box 3241  
6101 N. Baker Road  
Milwaukee, WI 53209 USA  
Tel: +1 262 781 6600  
Fax: +1 262 781 1049

#### User inquiries:

+1 800 433 2766

#### Distributor inquiries/orders:

+1 800 558 0530

**All Enerpac products are guaranteed against defects in workmanship and materials for as long as you own them.**

**For your nearest authorized Enerpac Service Center, visit us at [www.enerpac.com](http://www.enerpac.com)**