

9 kN Swing Cylinders

L-2126 Rev. D 07/10

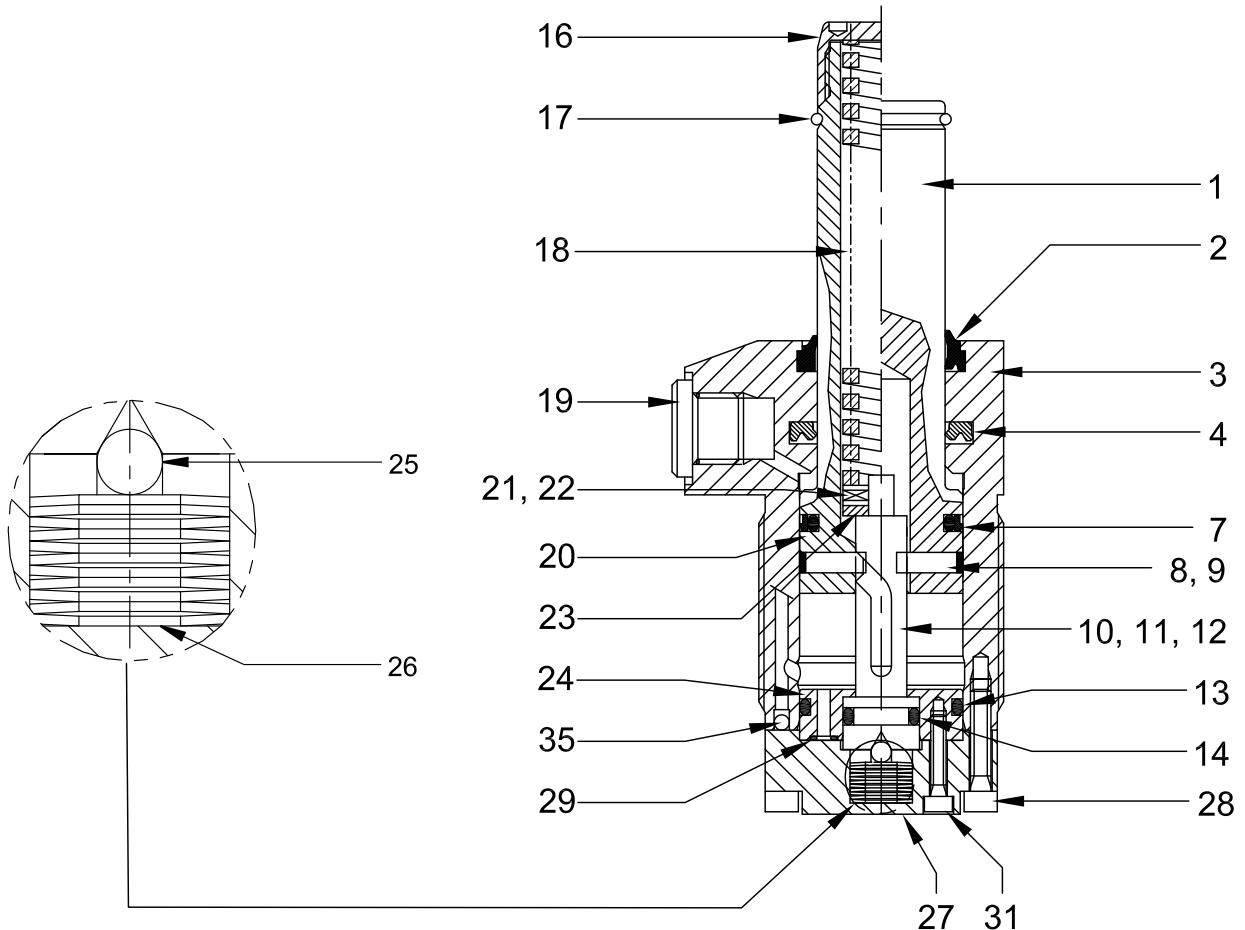
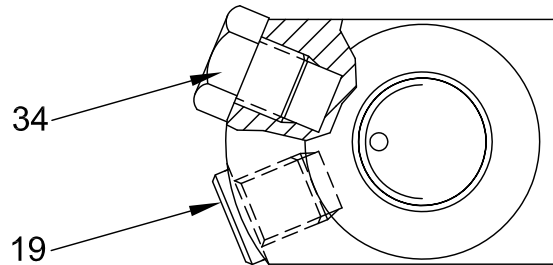
For Date Codes Beginning with "0"

Model No. Code

1	2	3	4	5	6	7
1. S = Swing cylinder 2. T = Threaded body U = Upper flange L = Lower flange		3. R = Right swing L = Left swing S = Straight swing	4. S = Single-acting D = Double-acting	5. 9 = 9 kN force	6. 1 = Imperial body type 2 = Metric body type	7. V = Viton seal option

Threaded Body Mounting Style

1. Lubricate all seals with Lubriplate prior to assembly.
2. Torque Item 16 to 15-22 ft-lbs [20-30 Nm].
3. Torque Item 28 to 37-44 in-lbs [4,2-5 Nm].
4. Torque Item 31 to 16-18 ft-lbs [1,8-2 Nm].

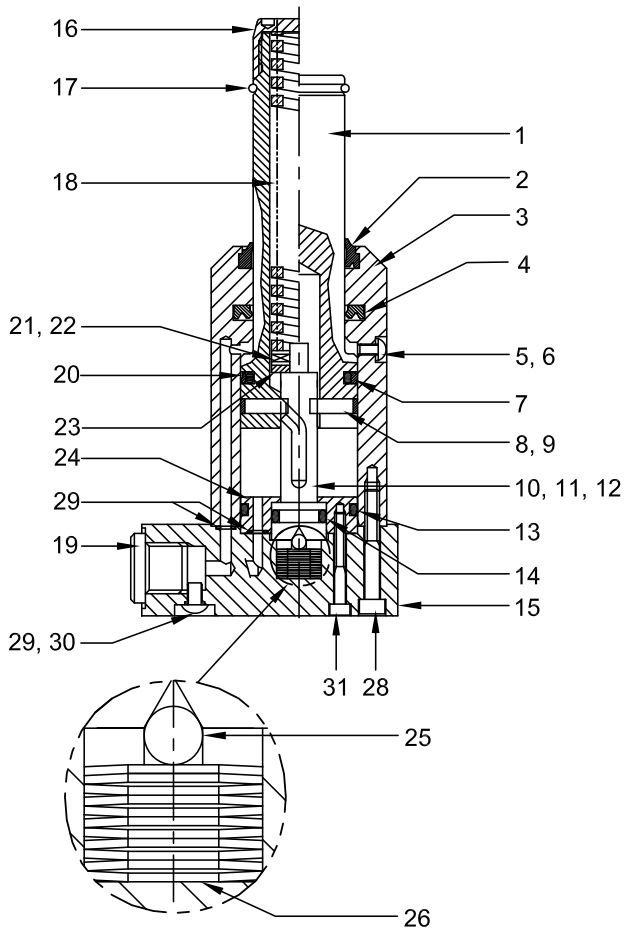
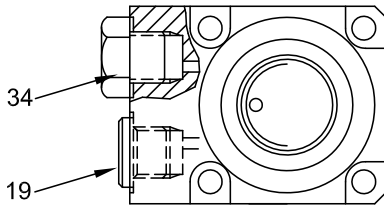


To Protect Your Warranty, Use Only ENERPAC Hydraulic Oil.

Enerpac recommends that all kit components be installed to insure optimum performance of the repaired product.

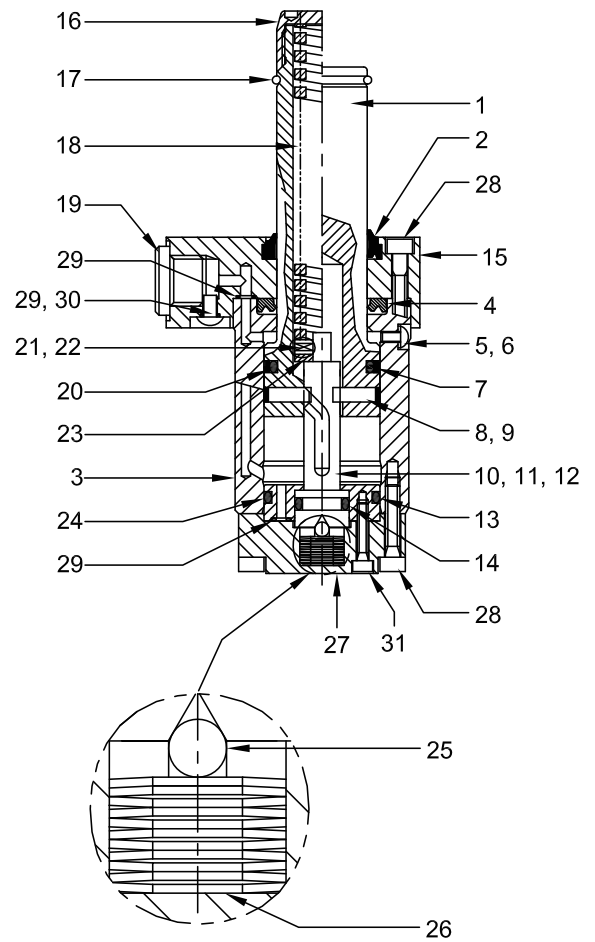
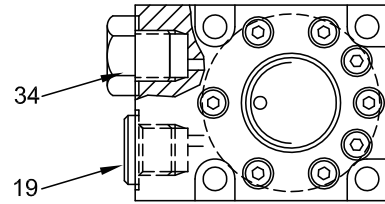
Lower Flange Mounting Style

1. Lubricate all seals with Lubriplate prior to assembly.
2. Torque item 6 to 11-13 in. lbs.
3. Torque item 16 to 15-22 ft. lbs. [20-30 Nm].
4. Torque item 28 to 37-44 in. lbs. [4,2-5 Nm].
5. Torque item 30 to 22-27 in. lbs. [2,5-3 Nm].
6. Torque item 31 to 16-18 in. lbs. [1,8-2 Nm].



Upper Flange Mounting Style

1. Lubricate all seals with Lubriplate prior to assembly.
2. Torque item 6 to 11-13 in. lbs.
3. Torque item 16 to 15-22 ft. lbs. [20-30 Nm].
4. Torque item 28 to 37-44 in. lbs. [4,2-5 Nm].
5. Torque item 30 to 22-27 in. lbs. [2,5-3 Nm].
6. Torque item 31 to 16-18 in. lbs. [1,8-2 Nm].



REPAIR PARTS LIST FOR 9 KN SWING CYLINDERS

Item No.	Standard Part Number	Viton Part Number	Qty.	Description
1	CZ375040	CZ375040	1	Plunger (single-acting)
	CZ362040	CZ362040	1	Plunger (double-acting)
	DQ869040	DQ869040	1	Plunger (long stroke)(double-acting)
2	*CZ280041	**CZ394041	1	Wiper
3	CZ361030	CZ361030	1	Base (threaded body)
	CZ371030	CZ371030	1	Base (lower flange)
	CZ373030	CZ373030	1	Base (upper flange)
	DQ868030	DQ868030	1	Base (upper flange) (long stroke)
4	*DW1038041	(not available)	1	U-Cup
	(not available)	**CZ395041	1	Stepseal
5	CBA309028-1E	CBA309028-1E	1	HSRH Screw (upper/lower flange only)
6	CYA310041-1A	CYA310041-1A	1	Multiseal (upper/lower flange only)
7	*CZ367041	**CZ396041	1	Glyd Ring (double-acting only)
8	CZ368061	CZ368061	2	Needle
9	*CZ384071	**CZ384071	2	Nylon Disc
10	CZ364149	CZ364149	1	Index Rod (left)
	DQ882149	DQ882149	1	Index Rod (left) (long stroke)
11	CZ388149	CZ388149	1	Index Rod (right)
	DQ883149	DQ883149	1	Index Rod (right) (long stroke)
12	CZ389149	CZ389149	1	Index Rod (straight)
13	*B1121903	**B1121203	1	O-Ring
14	*B1110803	**B1110203	1	O-Ring
15	CZ372004	CZ372004	1	Lower Flange
	CZ374004	CZ374004	1	Upper Flange
16	CZ387020	CZ387020	1	Plunger Cap (single-acting only)
17	*CZ370044	**CZ370044	1	Snap Ring
18	CZ369110	CZ369110	1	Spring (single-acting)
19	CV853271	CV853271	1	Thread Protector (threaded body)(single-acting)
	CV853271	CV853271	2	Thread Protector (threaded body)(double-acting)
	CS235006	CS235006	1	Plug (single-acting)
	CS235006	CS235006	2	Plug (double-acting)
20	*CZ376041	**CZ399041	1	Step seal (single-acting only)
21	CZ382107	CZ382107	1	Bearing (single-acting only)
22	CZ383108	CZ383108	2	Bearing Washer (single-acting only)
23	CZ386108	CZ386108	1	Washer (single-acting only)
24	CZ393225	CZ393225	1	Insert
25	CAA425061-2A	CAA425061-2A	1	Dowel Pin
26	CZ385110	CZ385110	11	Spring Disc
27	CZ363044	CZ363044	1	End Plate
28	CCA421028-1A	CCA421028-1A	8	HSHC Screw (threaded body)
	CCA425028-1A	CCA425028-1A	8	HSHC Screw (lower flange)
	CCA421028-1A	CCA421028-1A	16	HSHC Screw (upper flange)
29	*CZ391041	**CZ397041	1	O-Ring (threaded body)
	*CZ391041	**CZ397041	4	O-Ring (lower flange)
	*CZ391041	**CZ397041	5	O-Ring (upper flange)
30	CBA411028-1E	CBA411028-1E	2	HSRH Screw (upper/lower flange only)
31	CCA319028-1A	CCA319028-1A	3	HSHC Screw (threaded body)
	CCA323028-1A	CCA323028-1A	3	HSHC Screw (lower flange)
	CCA319028-1A	CCA319028-1A	4	HSHC Screw (upper flange)
32	CCA625028-1A	CCA625028-1A	4	Mounting Bolt (not shown) (upper/lower flange only)
33	*CZ392041	**CZ398041	2	O-Ring (not shown) (single-acting, upper/lower flange only)
	*CZ392041	**CZ398041	2	O-Ring (not shown) (double-acting, upper/lower flange only)
34	PA1268950	PA1268950	1	Vent Plug Assembly (single-acting only)
35	B1003016	B1003016	1	Ball (threaded body only)

*Indicates Items included in and available only as part of Repair Kit SS92K (single-acting) or SD92K (double-acting).

**Indicates Items included in and available only as part of Repair Kit SS92KV (single-acting) or SD92KV (double-acting).

Note - Item #4: For older cylinders equipped with standard seals, a U-Cup (part number DW1038041) replaces the stepseal (part number CZ366041) that was previously used. For all cylinders equipped with Viton seals, the stepseal (part number CZ395041) continues in use.

Enerpac Worldwide Locations

◆ e-mail: info@enerpac.com

◆ internet: www.enerpac.com

Africa

ENERPAC Middle East FZE
Office 423, JAFZA 15
P.O. Box 18004
Jebel Ali, Dubai
United Arab Emirates
Tel: +971 (0)4 8872686
Fax: +971 (0)4 8872687

Australia, New Zealand Actuant Australia Ltd.

Block V Unit 3
Regents Park Estate
391 Park Road
Regents Park NSW 2143
(P.O. Box 261) Australia
Tel: +61 297 438 988
Fax: +61 297 438 648

Brazil

Power Packer do Brasil Ltda.
Rua dos Inocentes, 587
04764-050 - Sao Paulo (SP)
Tel: +55 11 5687 2211
Fax: +55 11 5686 5583
Toll Free in Brazil:
Tel: 0800 891 5770
vendasbrasil@enerpac.com

Canada

Actuant Canada Corporation
6615 Ordan Drive, Unit 14-15
Mississauga, Ontario L5T 1X2
Tel: +1 905 564 5749
Fax: +1 905 564 0305
Toll Free:
Tel: +1 800 268 4987
Fax: +1 800 461 2456
Technical Inquiries:
techservices@enerpac.com

China

Actuant Industries Co. Ltd.
No. 6 Nanjing Road
Taicang Economic Dep Zone
Jiangsu, China
Tel: +86 0512 5328 7529
+86 0512 5328 7500 7529
Fax: +86 0512 5335 9690

Actuant China Ltd. (Peking)

709B Diyang Building
Xin No. 2
Dong San Huan North Rd.
Beijing City
100028 China
Tel: +86 10 845 36166
Fax: +86 10 845 36220

France, Switzerland francophone

ACTUANT - ENERPAC
France S.A., ZA de Courtaboeuf
32, avenue de la Baltique
91140 Villebon / Yvette
France
Tel: +33 1 60 13 68 68
Fax: +33 1 69 20 37 50

Germany, Austria, Switzerland, Greece, Baltic States, Central and Eastern Europe

ENERPAC GmbH
P.O. Box 300113
D-40401 Düsseldorf
Willstätterstrasse 13
D-40549 Düsseldorf
Germany
Tel: +49 211 471 490
Fax: +49 211 471 49 28

India

ENERPAC Hydraulics
(India) Pvt. Ltd.
No. 1A,
Peenya Industrial Area,
IInd Phase
Bangalore, 560 058 India
Tel: +91 80 40 792 777
Fax: +91 80 40 792 792

Italy

ENERPAC S.p.A.
Via Canova 4
20094 Corsico (Milano)
Tel: +39 02 4861 111
Fax: +39 02 4860 1288

Japan

Applied Power Japan LTD KK
Besshochou 85-7
Kita-ku,
Saitama-shi 331-0821
Japan
Tel: +81 48 662 4911
Fax: +81 48 662 4955

Middle East, Turkey and Caspian Sea

ENERPAC Middle East FZE
Office 423, JAFZA 15
P.O. Box 18004
Jebel Ali, Dubai
United Arab Emirates
Tel: +971 (0)4 8872686
Fax: +971 (0)4 8872687

Russia and CIS (excl. Caspian Sea Countries)

Actuant LLC
Admiral Makarov Street 8
125212 Moscow, Russia
Tel: +7-495-9809091
Fax: +7-495-9809092

Sweden, Denmark, Norway, Finland and Iceland

ENERPAC Scandinavia AB
Fabriksgatan 7
412 50 Gothenburg
Sweden
Tel: +46 31 7990281
Fax: +46 31 7990010
scandinavianinquiries@enerpac.com

Singapore

Actuant Asia Pte. Ltd.
37C, Benoi Road Pioneer Lot,
Singapore 627796
Tel: +65 68 63 0611
Fax: +65 64 84 5669
Toll Free: +1800 363 7722
Technical Inquiries:
tech.service-sg@enerpac.com

South Korea

Actuant Korea Ltd.
3Ba 717,
Shihwa Industrial Complex
Jungwang-Dong, Shihung-Shi,
Kyunggi-Do
Republic of Korea 429-450
Tel: +82 31 434 4506
Fax: +82 31 434 4507

Spain and Portugal

ENERPAC SPAIN, S.L.
Avda. Los Frailes, 40 - Nave C
& D
Pol. Ind. Los Frailes
28814 DAGANZO DE ARRIBA
(Madrid)
Spain
Tel: +34 91 884 86 06
Fax: +34 91 884 86 11

Sweden, Denmark, Norway, Finland and Iceland

Enerpac Scandinavia AB
Fabriksgatan 7
412 50 Gothenburg
Sweden
Tel: +46 (0) 31 7990281
Fax: +46 (0) 31 7990010
Inquiries:
Scandinavianinquiries@enerpac.com

The Netherlands, Belgium, Luxembourg

ENERPAC B.V.
Galvanistraat 115, 6716 AE Ede
P.O. Box 8097, 6710 AB Ede
The Netherlands
Tel: +31 318 535 800
Fax: +31 318 525 613
+31 318 535 848
beneluxinquiries@enerpac.com
Technical Inquiries Europe:
techsupport.europe@enerpac.com

United Kingdom, Ireland Enerpac Ltd

Bentley Road South
Darlaston, West Midlands
WS10 8LQ, United Kingdom
Tel: +44 (0)121 50 50 787
Fax: +44 (0)121 50 50 799

USA, Latin America and Caribbean

ENERPAC
P.O. Box 3241
6100 N. Baker Road
Milwaukee, WI 53209 USA
Tel: +1 262 781 6600
Fax: +1 262 783 9562

User inquiries:

+1 800 433 2766

Inquiries/orders:

+1 800 558 0530

Technical Inquiries:

techservices@enerpac.com

ENERPAC

704 W. Simonds
Dallas, TX 75159 USA
Tel: +1 972 287 2390
Fax: +1 972 287 4469

09/30/09

All Enerpac products are guaranteed against defects in workmanship and materials for as long as you own them. For your nearest authorized Enerpac Service Center, visit us at www.enerpac.com