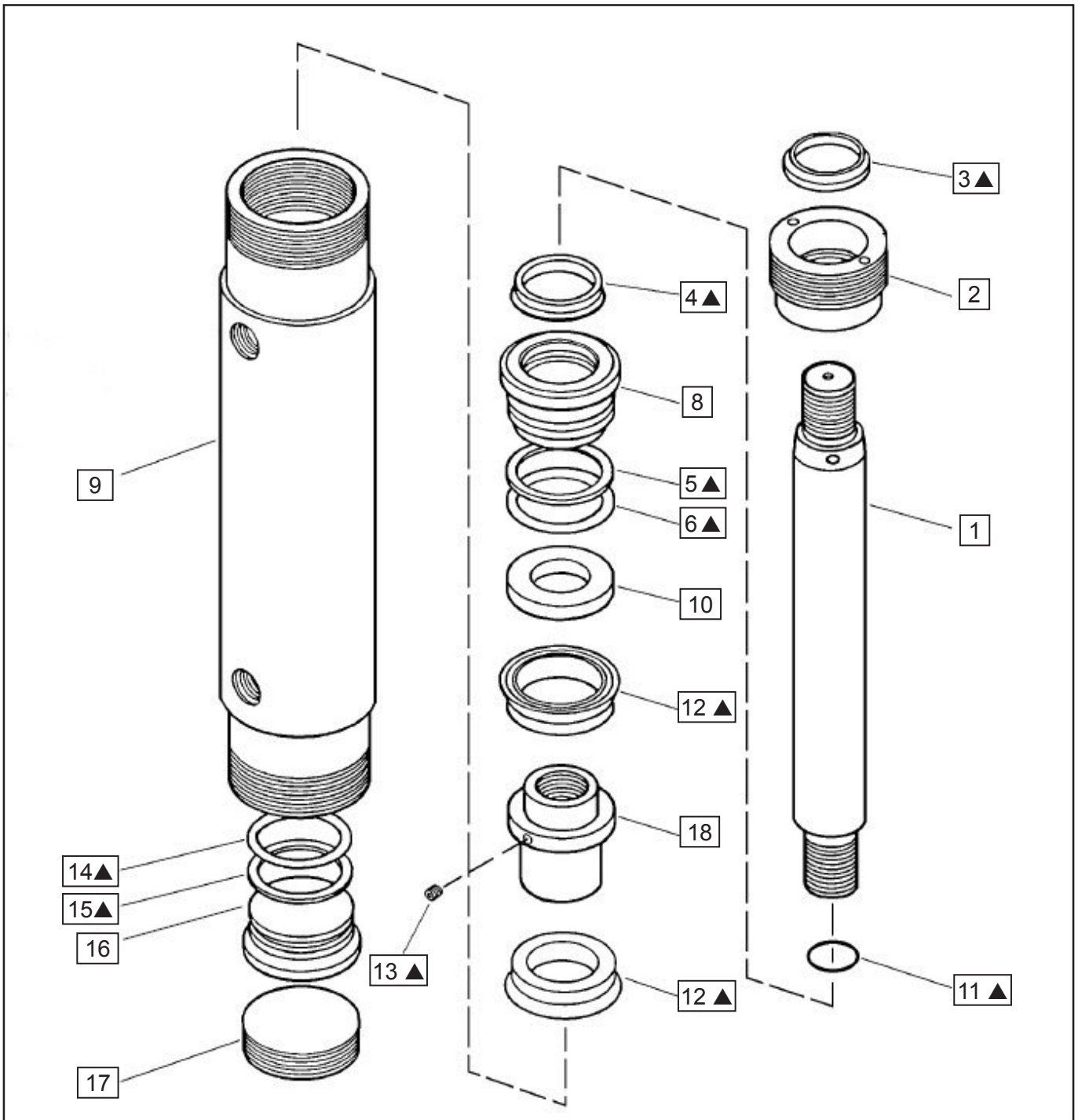


Repair Parts Sheet

RD41, RD43, RD46, BRD41, BRD43, BRD46, RD91, RD93, RD96, RD910, BRD91, BRD93, BRD96, BRD910, RD166, RD1610, BRD166, BRD1610, RD256, RD2510, BRD256, BRD2510

Repair Parts Sheet	Revision	Revision Date	Product Code Beginning
Reference nr. L2811	Rev.A	02/2009	D



Repair Parts List

L 2811

Item nr.	Description	Qty.	RD41 RD43 RD46	BRD41 BRD43 BRD46	RD91 RD93 RD96 RD910	BRD91 BRD93 BRD96 BRD910	RD166 RD1610	BRD166 BRD1610	RD256 RD2510	BRD256 BRD2510
1	Plunger	1	Not available as a service part, order new cylinder							
2	Retaining Ring	1	L301.044	BSS5945D	L265.044	BSS5946D	L233.044	BSS5947D	L122.044	BSS5948D
3	Wiper	1	▲	▲	▲	▲	▲	▲	▲	▲
4	U Cup	1	▲	▲	▲	▲	▲	▲	▲	▲
5	Back Up Ring (Split)	1	▲	▲	▲	▲	▲	▲	▲	▲
6	O Ring	1	▲	▲	▲	▲	▲	▲	▲	▲
7	Plug (not shown)	2								
8	Stop ring (internal)	1	CJ383.044	CJ383.044	CJ226.044	CJ226.044	CJ281.044	CJ281.044	CJ285.044	CJ285.044
9	Cylinder	1	Not available as a service part, order new cylinder							
10	Bearing	1	CL767.107	CL767.107	CL766.107	CL766.107	CL786.107	CL786.107	CL769.107	CL769.107
11	O Ring	1	▲	▲	▲	▲	▲	▲	▲	▲
12	U Cup	2	▲	▲	▲	▲	▲	▲	▲	▲
13	Set Screw	1	▲	▲	▲	▲	▲	▲	▲	▲
14	O Ring	1	▲	▲	▲	▲	▲	▲	▲	▲
15	Back Up Ring	1	▲	▲	▲	▲	▲	▲	▲	▲
16	Base Cap	1	CJ384.570	CJ384.570	CJ224.570	CJ224.570	CJ280.570	CJ280.570	CJ284.570	CJ284.570
17	Lock Screw	1	F871.048	BSS5939D	F264.048	BSS5940D	F312.048	BSS5943D	F311.048	BSS5944D
18	Rod Bearing	1	CW186.107	CW186.107	CW187.107	CW187.107	CW188.107	CW188.107	CW189.107	CW189.107
	Repair kit		BRD4K50		BRD9K50		BRD16K50		BRD25K50	

▲ = Items are included and available only as Part of Repair kit.



Item nr.	Model	Torque / Notes
1	BRD4 / RD4	31 - 37 Nm 23 - 27 ft lb into item 18
1	BRD9 / RD9	38 - 43 Nm 28 - 32 ft lb into item 18
1	BRD16 / RD16	75 - 88 Nm 55 - 65 ft lb into item 18
1	BRD25 / RD25	75 - 88 Nm 55 - 65 ft lb into item 18
2	All	Loctite 222
13	All	2.25 Nm 20 in lbs & loctite 222
17	All	Loctite 222



To maintain your warranty,
have your products inspected and repaired
by an authorised Enerpac Service Centre

www.enerpac.com