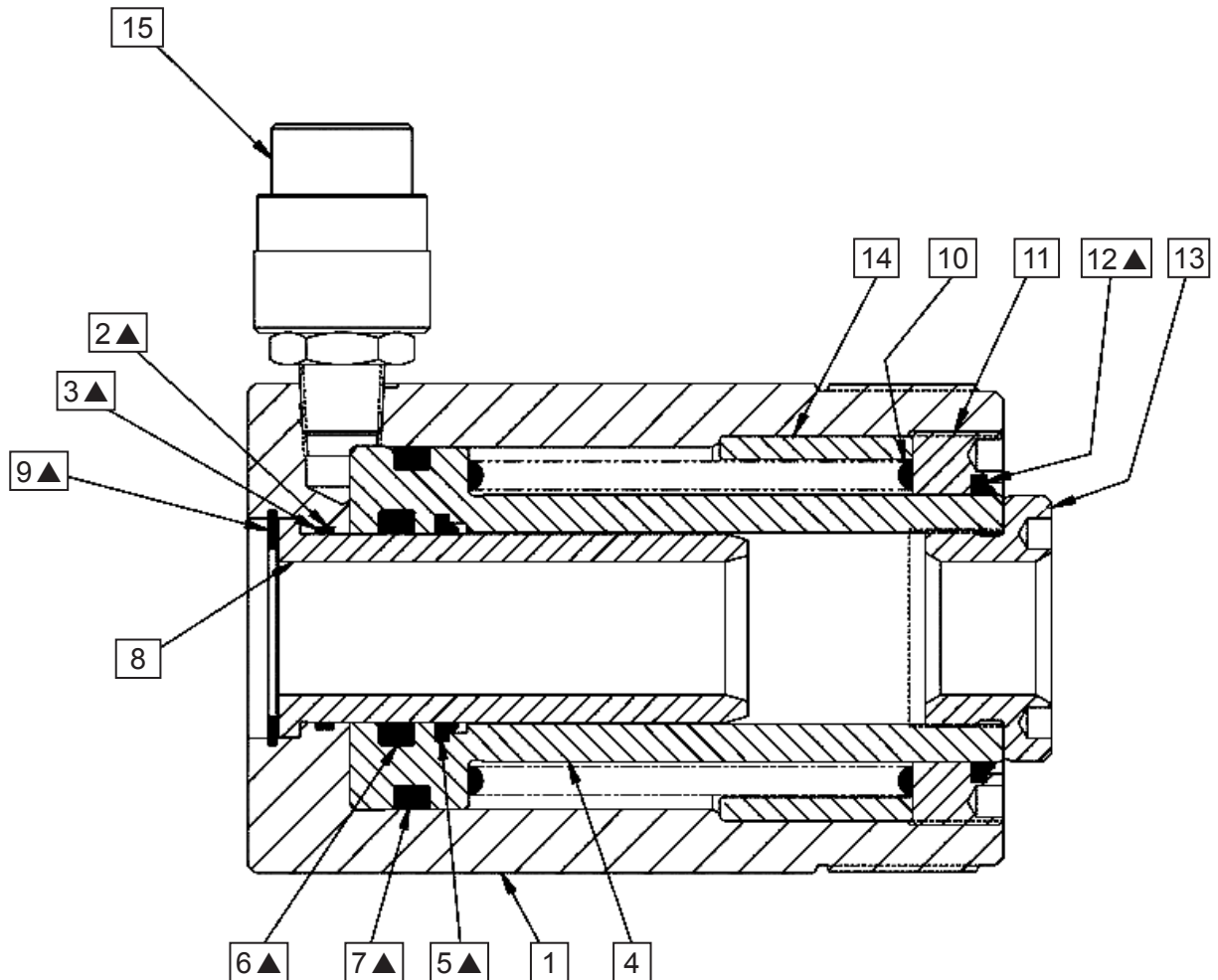


Repair Parts Sheet	Revision	Revision Date	Product Code Beginning
Reference nr. L2813	Rev.A	02/2009	C



▲ = RCH20K50

Repair Parts List			L 2813	
Item	Qty.	Description	RCH202	RCH206
1	1	Cylinder	Not available as spare part, order new cylinder	
2	1	O Ring	▲	▲
3	1	Back up Ring	▲	▲
4	1	Plunger	Not available as spare part, order new cylinder	
5	1	Wiper	▲	▲
6	1	G T Ring	▲	▲
7	1	G T Ring	▲	▲
8	1	Center Tube	DA5160268	DA10803268
9	1	Retaining Ring	▲	▲
10	1	Spring	CF707110	BSS5743D
11	1	Stop Ring	CJ671044	CJ671044
12	1	Wiper Ring	▲	▲
13	1	Saddle	CB894045	CB894045
14	1	Stop Ring (internal)	CJ672044	BSS5744D
15	1	Coupler	CR400	CR400
16	1	Dust Cap (not shown)	▲	▲
17	1	Coupler O Ring (not shown)	▲	▲
18	1	Decal Warning (not shown)	▲	▲
19	1	Decal Warning (not shown)	▲	▲
20	1	Decal Hollow (not shown)	▲	▲
	1	Repair Kit	RCH20K50	RCH20K50

▲ = Indicates item included in and available only as part of Repair kit RCH20K50.
For Viton cylinder, Order Repair Kit RCH202KV1.



Item nr.	Torque / Remark
11	Use Loctite 222
15	Loctite 545 or Teflon tape
15	55 - 81 Nm 40 - 60 Ft lbs



To maintain your warranty,
have your products inspected and repaired
by an authorised Enerpac Service Centre

www.enerpac.com