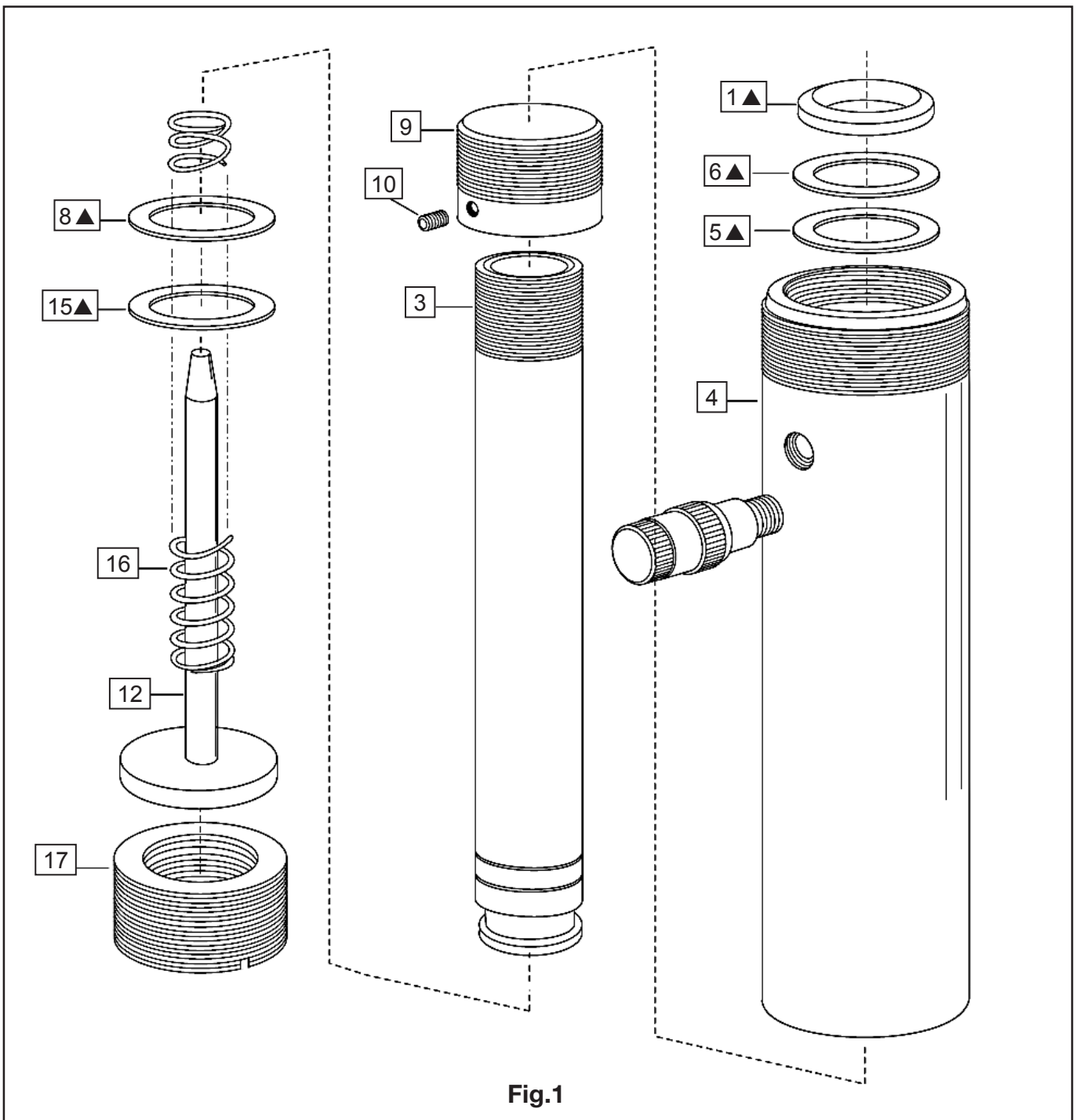


Repair Parts Sheet	Revision	Revision Date	Product Code Beginning
Reference nr. L2830	Rev.A	05/2009	A



Repair Parts List BRC25 Fig.1			L 2830
Item	Description	Qty.	Part Nr.
1	Wiper	1	▲
3	Plunger	1	Not available, order new cylinder
4	Base	1	Not available, order new cylinder
5	O-Ring	1	▲
6	Back up Ring	1	▲
8	O-Ring	1	▲
9	Saddle	1	A44045
10	Set Screw	1	A66087
12	Spring Guide	1	A45900
15	Back up Ring	1	▲
16	Spring	1	B976183
17	Base Plug	1	A43006
18	Decall (not shown)	1	▲

▲ = Indicates item included in and available only as part of Repair kit RC119K2.

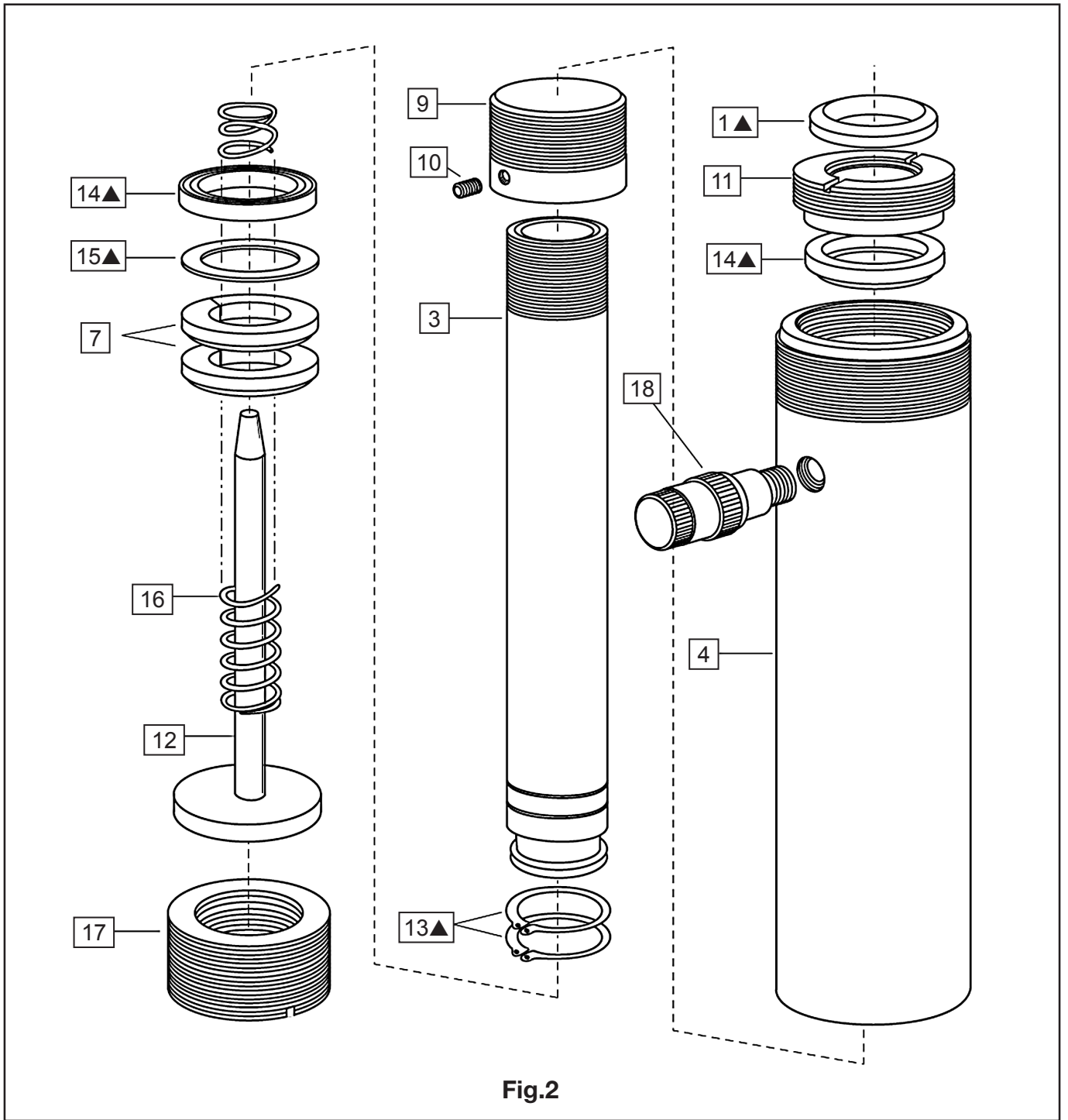


Fig.2

Repair Parts List BRC46 Fig.2			L 2830
Item	Description	Qty.	Part Nr.
1	Wiper	1	▲
3	Plunger	1	Not available, order new cylinder
4	Base	1	Not available, order new cylinder
7	Rod Bearing	2	G382107
9	Saddle	1	BSS1759D
10	Set Screw	1	A66087
11	Stop Ring	1	BSS1761D
12	Spring Guide	1	BSS4720D
13	Retaining Ring	2	▲
14	U Cup	2	▲
15	Washer	1	▲
16	Spring	1	BSS4721D
17	Base Plug	1	BSS1760D
18	Coupler	1	CR400

▲ = Indicates item included in and available only as part of Repair kit BRC46KU1.



To maintain your warranty,  
have your products inspected and repaired  
by an authorised Enerpac Service Centre

[www.enerpac.com](http://www.enerpac.com)