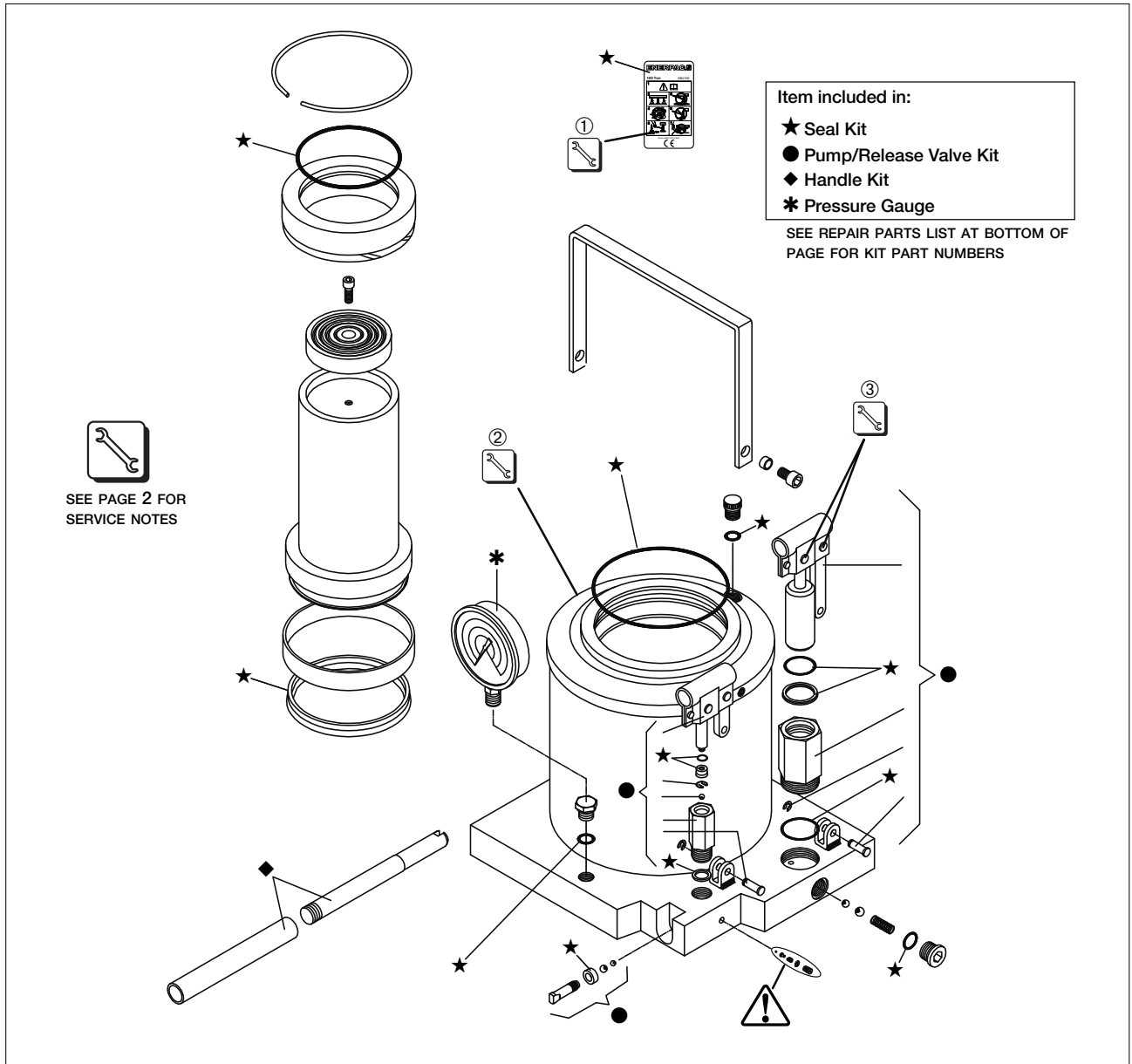


## Repair Parts Sheet

### Model GBJ-100 Hydraulic Bottle Jack

Repair Parts Sheet	Revision	Revision Date	Date Code
L4003	Rev. A	06/2012	AXXXXMG



Repair Parts List		L4003
Item	Part Number	Description
★	GBJK100S	Seal Kit
●	GBJK100	Pump/Release Valve Kit
◆	RH-100	Handle Kit
*	GFJ100	Pressure Gauge

**Notes:**

- Jack components are available only in kits and are not sold separately.
- Items not identified in graphic above are NOT AVAILABLE for purchase.



**WARNING:** DO NOT adjust the emergency relief valve setting. If required, adjustments should be made ONLY by an Enerpac authorized service center.



## Service Information Repair Parts Sheet L4003

Note: See graphic on page 1 for service item locations	
Service Item	Action / Comment
①	Replace decal if worn or unreadable.
②	<p>Approximate oil capacity with jack in upright position, ram fully retracted and oil level about 3 inches [75 mm] <b>below</b> fill hole: 3300 cc (111 fluid ounces)</p> <p><b>Important:</b></p> <ul style="list-style-type: none"><li>• Use only Enerpac HF Series hydraulic oil.</li><li>• Be sure ram is fully retracted before checking oil level or adding additional oil.</li><li>• Jack hydraulic reservoir is full when oil level is approximately 3 inches [75 mm] <b>below</b> the oil fill hole at top of jack housing. <b>Do not overfill!</b></li><li>• To prevent dirt entry, always reinstall oil fill plug immediately after checking oil level or adding oil.</li></ul>
③	Apply lubricating oil to pins and linkage.



### To maintain your warranty:

- Use only Enerpac Oil
- Have your products inspected and repaired by an Enerpac Authorized Service Center

**ENERPAC** 