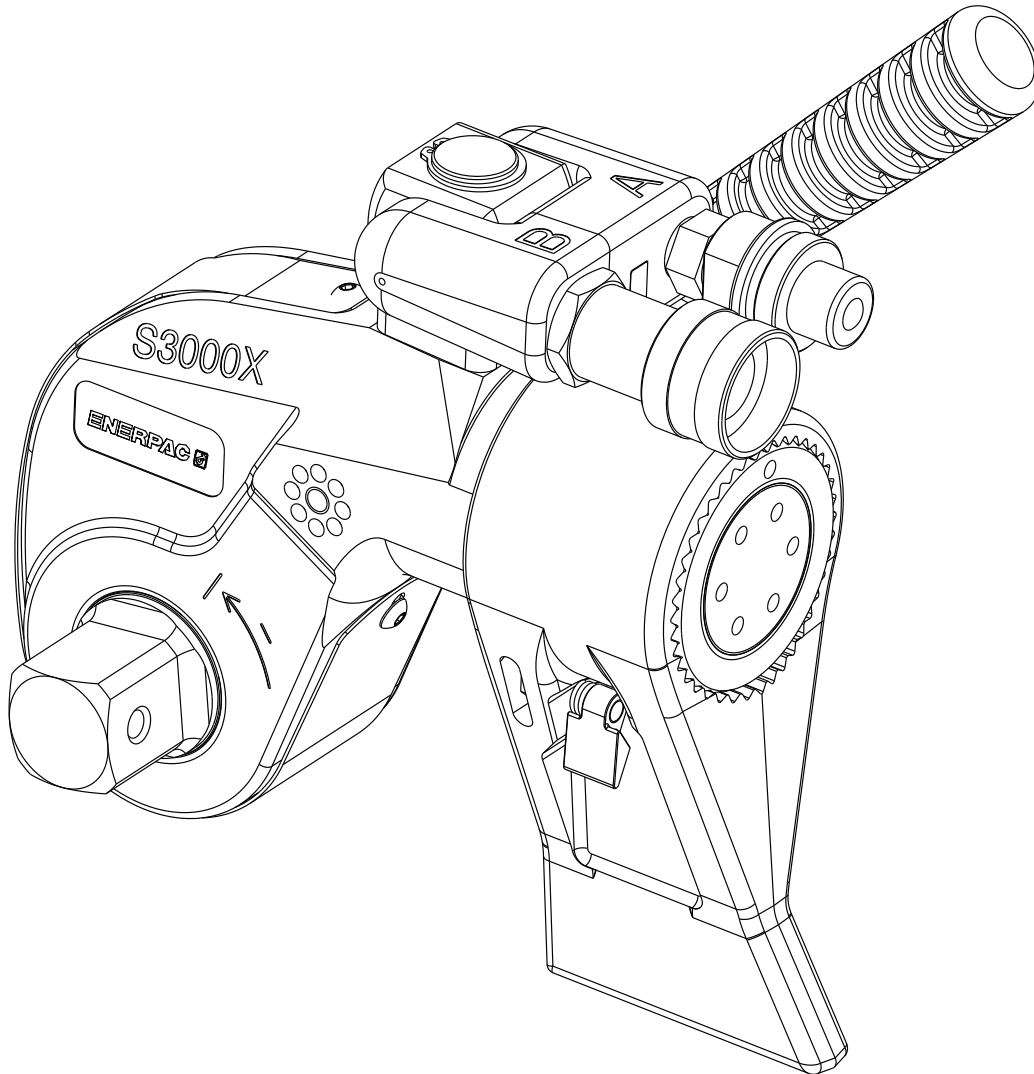


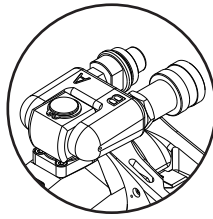
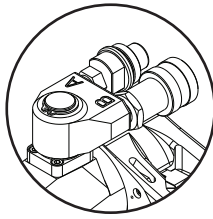
To Protect Your Warranty, Use Only ENERPAC Hydraulic Oil.

Enerpac recommends that all kit components be installed to insure optimum performance of the repaired product.

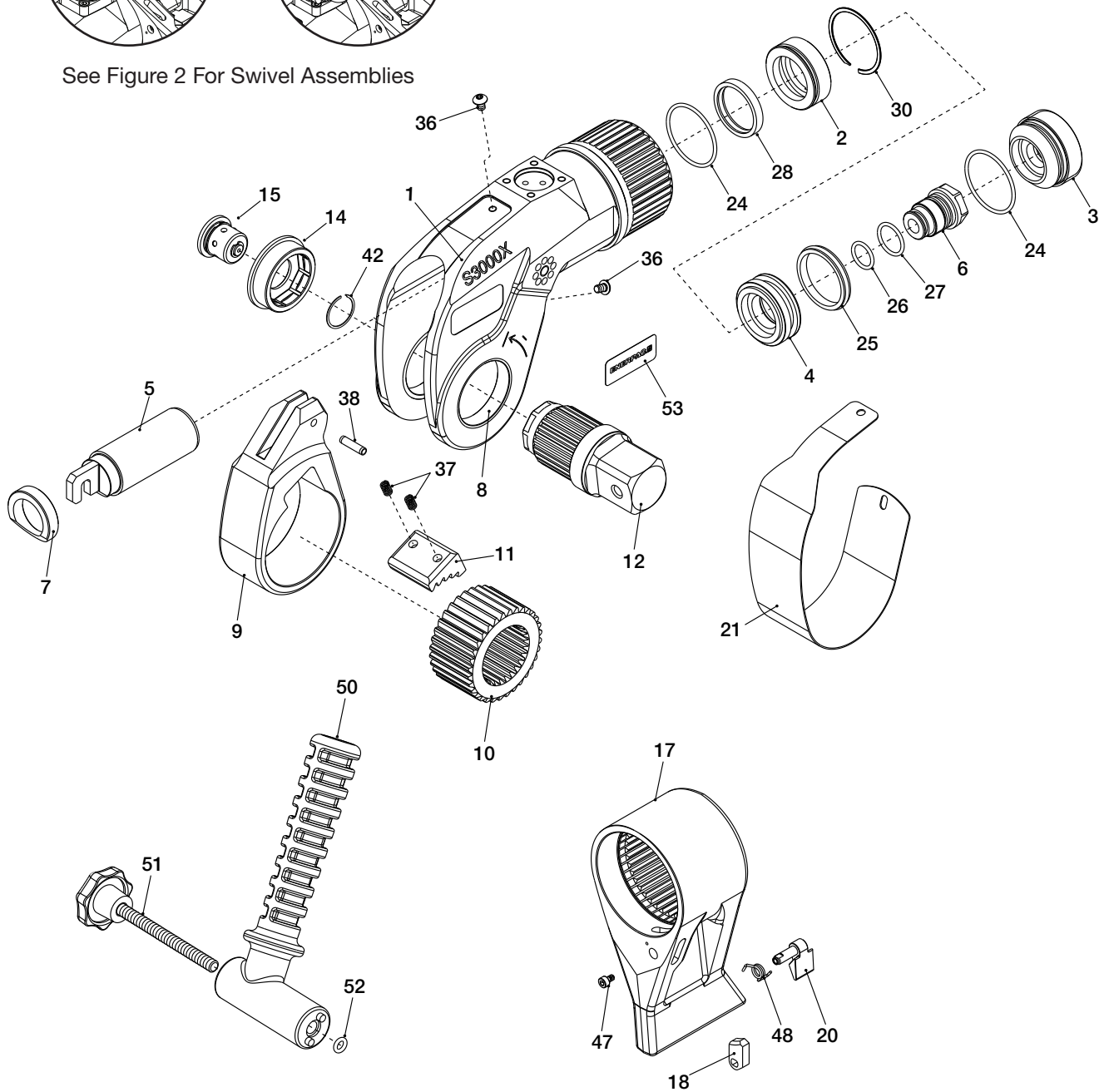


Contents:

	Pages
Figure 1, Wrench Assembly.....	2-3
Figure 2, Swivel Assemblies.....	4-5
Table 3, Carrying Case.....	5



See Figure 2 For Swivel Assemblies



Note: Refer to the wrench instruction sheet for:

- Inspection, lubrication and maintenance instructions.
- Torque specifications for selected fasteners.

Figure 1, Wrench Assembly, Model S3000X

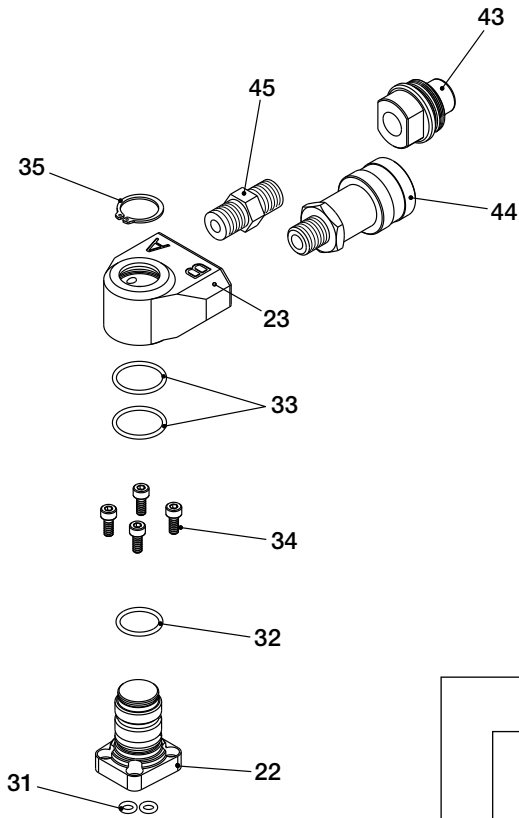
Repair Parts List for Figure 1

Item	Part Number	Quantity (used on wrench)	Quantity (included in each kit)								(*) Item available separately OR in kit.	Description
			Seal Kit, S3000X S3000XSK	Cylinder Rebuild Kit S3000DK	Ratchet Kit S3000RK	Guard Kit S3000GK	Square Drive Retainer Kit S3000SDRK	Reaction Arm Parts Kit S3000XRAK	Spare Parts Kit S3000XSPK	Angled Positioning Handle Kit, SWH6A		
1	(Not Available)	1										Wrench Body (housing)
2	3000S102	1		1								Body Bushing
3	3000S103	1										Cylinder Gland
4	3000S104	1		1								Piston
5	3000S133	1		1							*	Piston Rod
6	3000S106	1		1							*	Piston Locknut
7	3000S107	1		1								Piston Rod Bushing
8	3000S108	2										Sideplate Bushing
9	3000S132A	1										Ratchet Lever (includes pin, item 38)
10	3000S110	1			1						*	Ratchet
11	3000S111	1			1							Drive Shoe
12	SD30-100	1										Square Drive
14	3000S127	1					1					Retaining Bushing
15	3000S128A	1					1				*	Holder Assembly, Square Drive
17	SRS30X	1										Reaction Arm (includes items 18, 20, 47, 48)
18	1500S216	1						1				Reaction Arm Retainer
20	3000S218SRS	1						1				Lever, Reaction Arm Retainer
21	3000S134	1				1						Guard
24	E2320	2	2								*	O-Ring
25	E2318	1	1								*	Piston T-Seal
26	E2173	1	1									O-Ring
27	E2237	1	1									O-Ring
28	E2040	1	1									Rod T-Seal
30	E4583	1	1	1						1	*	Retaining Ring
36	CBA411028-1E	2				2				2		Screw, Button Head
37	E3074K	2			1					2		Spring, Drive Shoe (packet of 5)
38	CCA419057-2A	1		1	1					1		Pin, Spirol Spring
42	E4687	1					1			1		Retaining Ring
47	E4857K	1						1	1			Socket Hd Cap Screw (packet of 5)
48	E3108K	1						1	1			Torsion Spring (packet of 5)
50	DM0341070	1									1	Handle, Angled
51	DM0309147	1									1	Thumbscrew
52	E2304	1									1	O-Ring
53	SL100141	1								1		Label, Enerpac

Notes:

- Enerpac recommends that all kit components be installed to assure optimum performance of the repaired product.
- Items 37, 47 and 48: Packet quantity is provided only when item is ordered separately and not included in a kit.

Standard Swivel



Notes:

- Refer to page 5 for parts kit information.
- Wrenches with model numbers ending in "PX" are factory equipped with the TSP300 Swivel Assembly.

Refer to the wrench instruction sheet for:

- Inspection, lubrication and maintenance instructions.
- Torque specifications for selected fasteners.

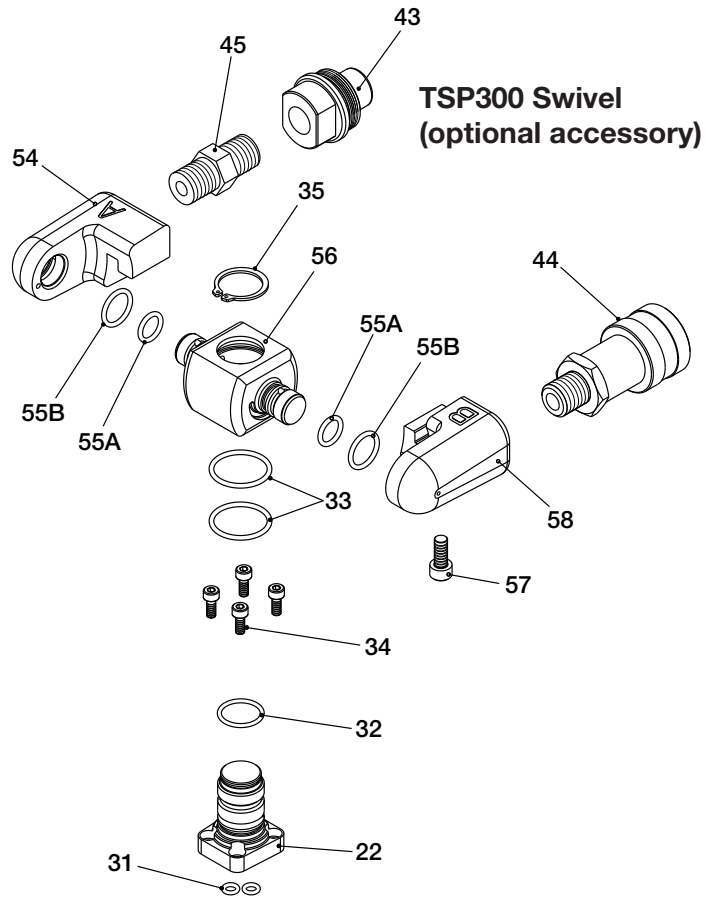


Figure 2, Swivel Assemblies, Model S300X

Repair Parts List for Figure 2

Item	Part Number	Quantity (used on wrench)		Quantity (included in each kit)						(*) Item available separately OR in kit.	Description
		Model S3000X	Model S3000PX	Seal Kit, S3000X S3000XSK	Spare Parts Kit S3000XSPK (For Standard Swivel)	Swivel Manifold Seal Kit TSP300MSK	Swivel Post and Manifold Kit SP300MKA (For Standard Swivel)	Swivel Manifold Kit TSP300 (For TSP300 Swivel)	Swivel Post and Manifold Kit TSP300MKA (For TSP300 Swivel)		
22	W4000126	1	1				1		1	*	Swivel Manifold Post (small)
23	SP300101	1	---				1			*	Swivel Manifold Block (non-tilt)
31	E2304	2	2	2		2	2		2	*	O-Ring
32	E2238	1	1	1		1	1	1	1		O-Ring
33	E2240	2	2	2		2	2	2	2		O-Ring
34	CCA415028-1A	4	4	4	4		4		4		Swivel Manifold Retaining Bolt
35	E4856	1	1	1	1	1	1	1	1		Retainer Ring, Circlip
43	TH630	1	1		1		1	1	1		Nipple, 10,000 PSI Screw-On
44	TR630	1	1		1		1	1	1		Coupling, 10,000 PSI Screw-On
45	FZ1608	1	1		1		1	1	1		Adaptor, Hex 10,000 PSI
54	TSP300101	---	1					1	1		Swivel Arm, Pressure A
55A	E2235	---	2			2		2	2		O-Ring, Double Swivel (small)
55B	E2173	---	2			2		2	2		O-Ring, Double Swivel (large)
56	TSP300103	---	1					1	1		Manifold Block, Double Swivel
57	E4650	---	1			1		1	1		Capscrew, Swivel Arm
58	TSP300102	---	1					1	1		Swivel Arm, Return B

Note: Enerpac recommends that all kit components be installed to assure optimum performance of the repaired product.

Repair Parts Table 3 for Hydraulic Torque Wrench Case			
Item	Part Number	Qty.	Description
1	M2100	1	Carrying Case, S3000X

NOTES:

A large rectangular box with horizontal lines inside, intended for writing notes.

NOTES:

A large rectangular box containing 18 horizontal lines, serving as a template for handwritten notes.

