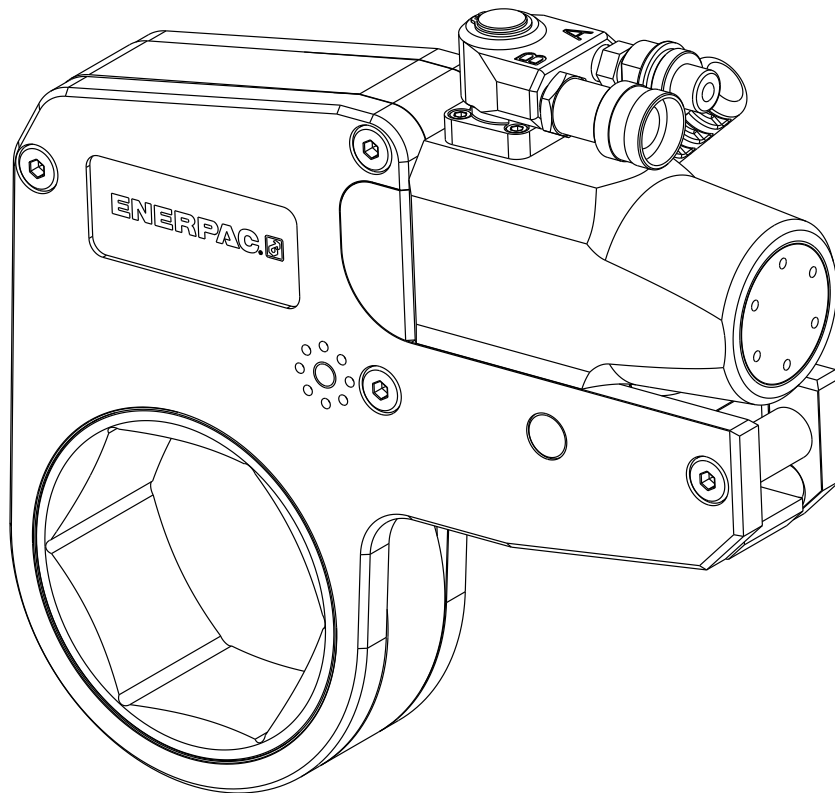


L4115 Rev. D 03/20

- For drive unit model numbers ending in "X" or "PX".
- For cassette model numbers ending in "X".

To Protect Your Warranty, Use Only ENERPAC Hydraulic Oil.

Enerpac recommends that all kit components be installed to insure optimum performance of the repaired product.



Contents:

	Pages
Figure 1, Cassette Assembly	2-3
Figure 2, Ratchet Assembly, Sideplates and Guards	4-5
Figure 3, Drive Unit and Swivel Assemblies	6-7
Table 4, Carrying Cases	8

Note: Refer to the wrench instruction sheet for:

- Inspection, lubrication and maintenance instructions.
- Torque specifications for selected fasteners.

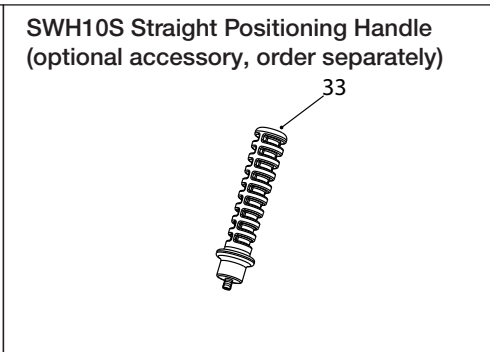
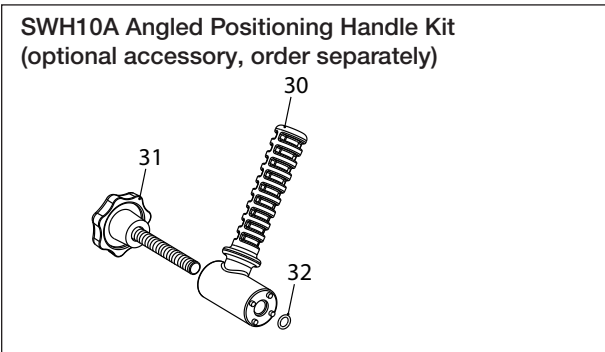
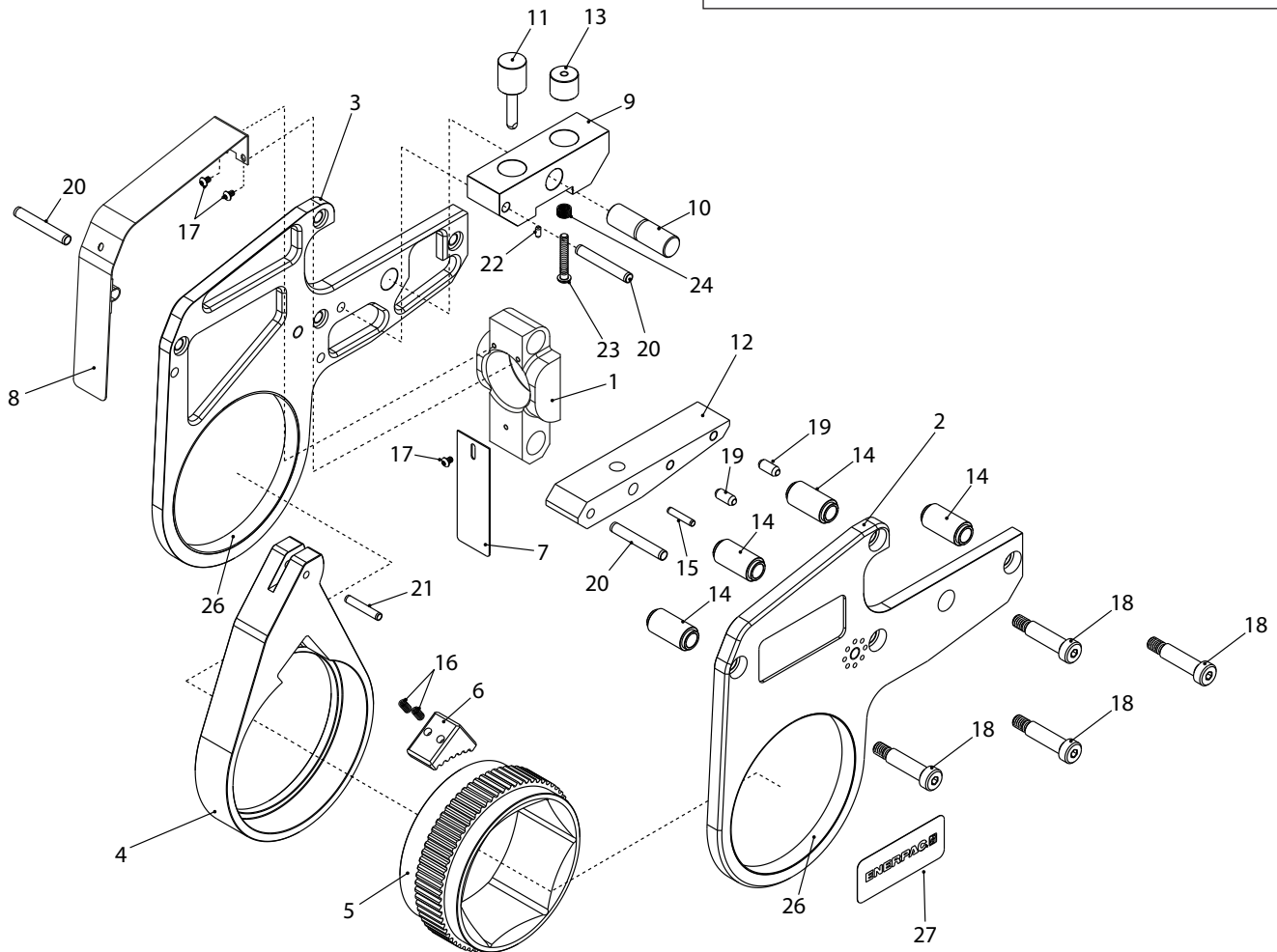


Figure 1, Cassette Assembly, W1500X Series

Repair Parts List for Figure 1

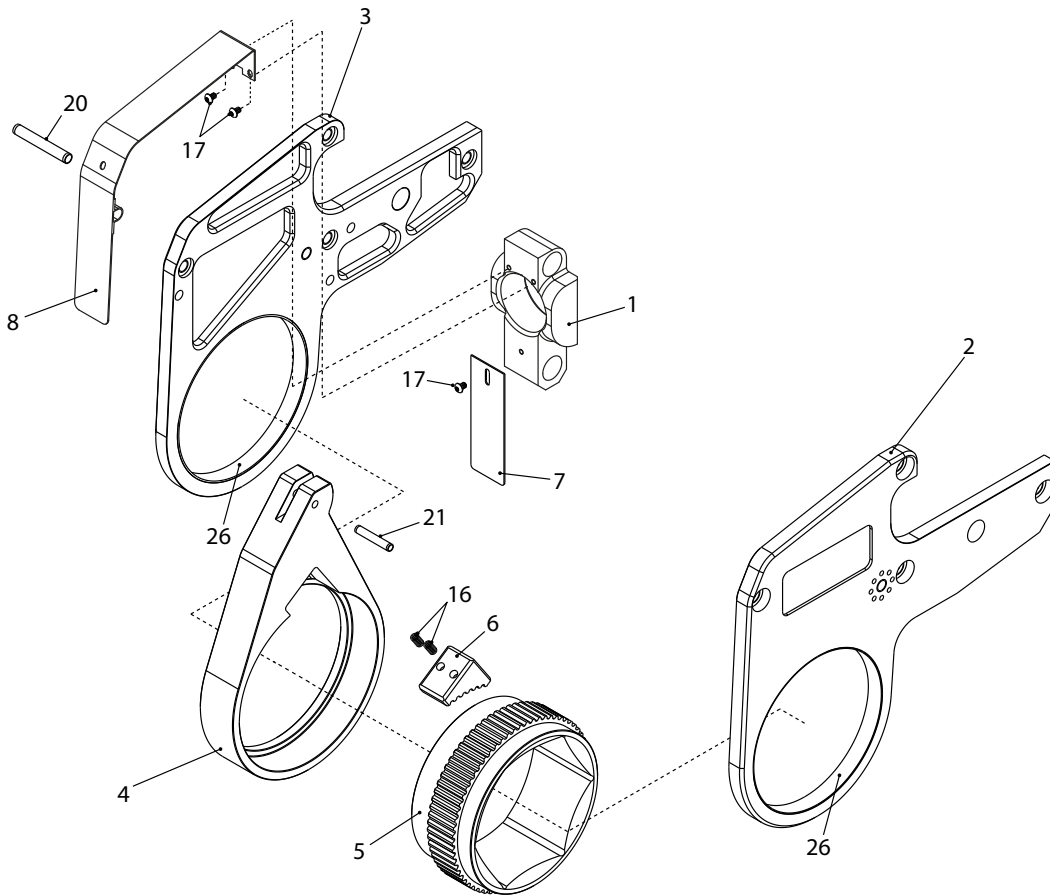
Item	Part Number	Quantity (used on wrench)	Quantity (included in each kit)										(*) Item available separately OR in kit.	Description	
			Sideplate and Bushing Kit (see Figure 2 for kit details)	Ratchet Lever and Pin Kit (see Figure 2 for kit details)	Ratchet Kit (see Figure 2 for kit details)	Drive Shoe Kit (see Figure 2 for kit details)	Head Guard Kit (see Figure 2 for kit details)	Safe Link Kit W15000SLKB	Cassette Hardware Kit W15000CHKB	Head Spacer Kit W15000HSK	Angled Positioning Handle Kit SWH10A				
1	(Not Available)	1													Cylinder Locating Plate
2	(See Figure 2)	1	1												Sideplate, Right-Hand
3	(See Figure 2)	1	1												Sideplate, Left-Hand
4	(See Figure 2)	1		1											Ratchet Lever
5	(See Figure 2)	1			1									*	Ratchet
6	(See Figure 2)	1			1	1									Drive Shoe
7	15000117	1						1							Guard, Rear
8	(See Figure 2)	1						1							Guard, Front
9	(Not Available)	1													Pin Retainer
10	15000110A	1							1					*	Spacer Retaining Pin
11	15000109	1							1						Cylinder Retaining Pin
12	15000114	1													Reaction Foot
13	15000115	1							1						Fail Safe Pin
14	15000113	4									4				Sideplate Spacer
15	CCA525057-2A	1							1	1					Pin, Spirol Spring
16	E3016K	2			2	2		2	2					*	Spring, Compression (packet of 10)
17	CBA411028-1E	3					3		3						Screw, Button Head
18	15000129	4							4	4					Screw, Shoulder, Modified
19	E4584	2						2	2						Spring, Plunger
20	CCA839057-2A	3							3					*	Pin, Spirol Spring
21	CCA627057-2A	1		1					1					*	Pin, Spirol Spring
22	E4728	1							1						Ball Detent
23	CBA629028-1E	1						1	1						Screw, Button Head
24	E3087	1						1							Spring, Compression
26	(See Figure 2)	2	2											*	Sideplate Bushing
27	SL100155	1							2						Nameplate, Enerpac
30	DM0340070	1										1			Handle, Angled
31	DM0306147	1										1			Thumbscrew
32	E2393	1										1			O-Ring
33	SWH10S	1													Handle, Straight (optional)

Notes:

- Enerpac recommends that all kit components be installed to assure optimum performance of the repaired product.
- Item 16: Packet quantity is provided only when item is ordered separately and not included in a kit.

Note: This view contains only ratchet, sideplate and guard parts.

- Refer to page 5 for parts kit information.
- See Figure 1 on pages 2 and 3 for the main parts list and a complete exploded view of all cassette parts.



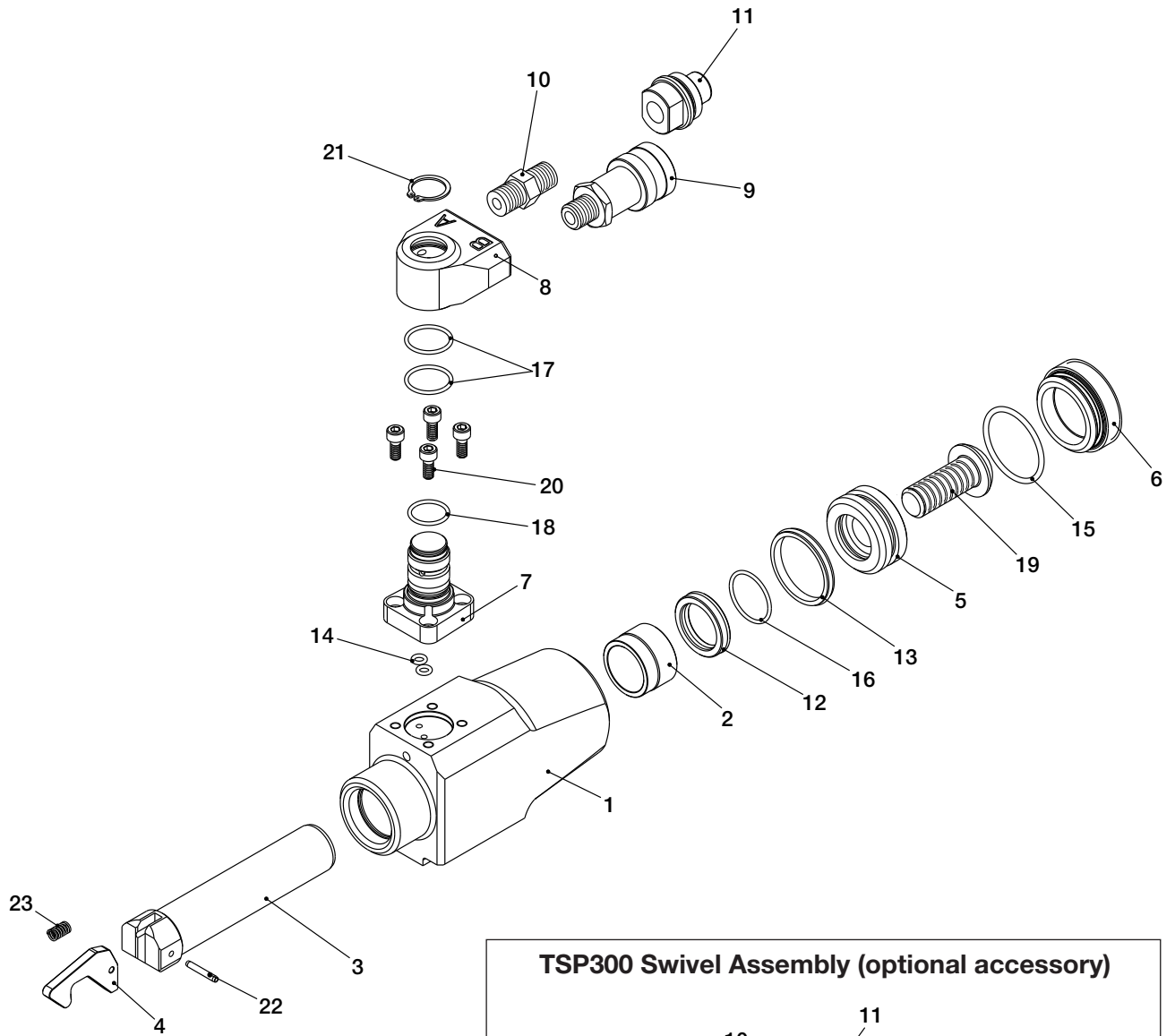
Note: Refer to the wrench instruction sheet for:

- Inspection, lubrication and maintenance instructions.
- Torque specifications for selected fasteners.

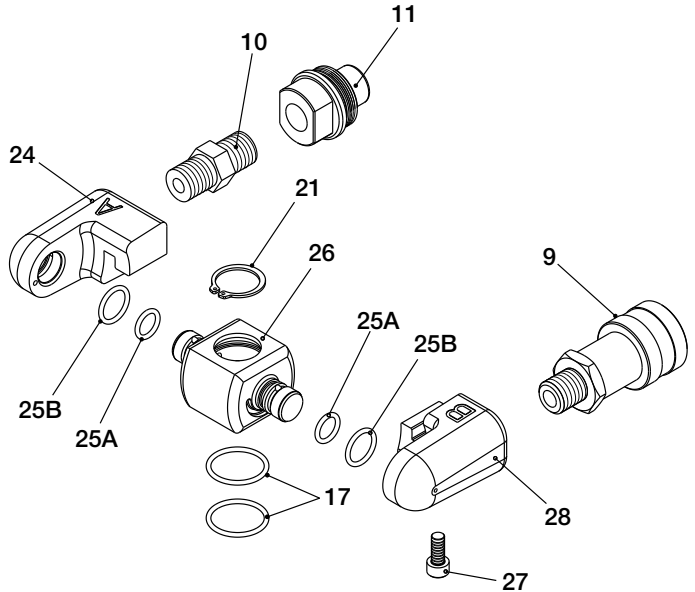
Figure 2, Ratchet Assembly, Sideplates and Guards, W15000X Series

Ratchet, Sideplate and Guard Kits for W1500X Series Cassettes - Refer to Figure 2

Cassette Model	Part Numbers							
	Ratchet Only (Figure 2, item 5)	Drive Shoe Kit (Figure 2, items 6 and 16)	Ratchet Kit (Figure 2, items 5, 6 & 16)	Ratchet Lever and Pin Kit (Figure 2, items 4 & 21)	LH and RH Sideplates With Bushings (Figure 2, items 2, 3 & 26)	Sideplate Bushings (Figure 2, item 26)	Front Guard (Figure 2, item 8)	Head Guard Kit (Figure 2, Items 7, 8, and 17)
W15207X	15000121207	W15212DSK	W15207RK	W15000120212A	W15000175212A	15000125212	15000116C	W15000XHGKB
W15208X	15000121208	W15212DSK	W15208RK	W15000120212A	W15000175212A	15000125212	15000116C	W15000XHGKB
W15209X	15000121209	W15212DSK	W15209RK	W15000120212A	W15000175212A	15000125212	15000116C	W15000XHGKB
W15210X	15000121210	W15212DSK	W15210RK	W15000120212A	W15000175212A	15000125212	15000116C	W15000XHGKB
W15211X	15000121211	W15212DSK	W15211RK	W15000120212A	W15000175212A	15000125212	15000116C	W15000XHGKB
W15212X	15000121212	W15212DSK	W15212RK	W15000120212A	W15000175212A	15000125212	15000116C	W15000XHGKB
W15213X	15000121213	W15215DSK	W15213RK	W15000120215A	W15000175215A	15000125215	15000116	W15000XHGK
W15214X	15000121214	W15215DSK	W15214RK	W15000120215A	W15000175215A	15000125215	15000116	W15000XHGK
W15215X	15000121215	W15215DSK	W15215RK	W15000120215A	W15000175215A	15000125215	15000116	W15000XHGK
W15300X	15000121300	W15302DSK	W15300RK	W15000120302A	W15000175302A	15000125302	15000116	W15000XHGK
W15301X	15000121301	W15302DSK	W15301RK	W15000120302A	W15000175302A	15000125302	15000116	W15000XHGK
W15302X	15000121302	W15302DSK	W15302RK	W15000120302A	W15000175302A	15000125302	15000116	W15000XHGK
W15303X	15000121303	W15308DSK	W15303RK	W15000120308A	W15000175308A	15000125308	15000116	W15000XHGK
W15304X	15000121304	W15308DSK	W15304RK	W15000120308A	W15000175308A	15000125308	15000116	W15000XHGK
W15305X	15000121305	W15308DSK	W15305RK	W15000120308A	W15000175308A	15000125308	15000116	W15000XHGK
W15085MX	15000121085M	W15308DSK	W15085MRK	W15000120308A	W15000175308A	15000125308	15000116	W15000XHGK
W15306X	15000121306	W15308DSK	W15306RK	W15000120308A	W15000175308A	15000125308	15000116	W15000XHGK
W15307IX	15000121307	W15308DSK	W15307IRK	W15000120308A	W15000175308A	15000125308	15000116	W15000XHGK
W15308X	15000121308	W15308DSK	W15308RK	W15000120308A	W15000175308A	15000125308	15000116	W15000XHGK
W15090MX	15000121090M	W15314DSK	W15090MRK	W15000120314A	W15000175314A	15000125314	15000116	W15000XHGK
W15309X	15000121309	W15314DSK	W15309RK	W15000120314A	W15000175314A	15000125314	15000116	W15000XHGK
W15310X	15000121310	W15314DSK	W15310RK	W15000120314A	W15000175314A	15000125314	15000116	W15000XHGK
W15311X	15000121311	W15314DSK	W15311RK	W15000120314A	W15000175314A	15000125314	15000116	W15000XHGK
W15312X	15000121312	W15314DSK	W15312RK	W15000120314A	W15000175314A	15000125314	15000116	W15000XHGK
W15313X	15000121313	W15314DSK	W15313RK	W15000120314A	W15000175314A	15000125314	15000116	W15000XHGK
W15314X	15000121314	W15314DSK	W15314RK	W15000120314A	W15000175314A	15000125314	15000116	W15000XHGK
W15315X	15000121315	W15404DSK	W15315RK	W15000120404A	W15000175404A	15000125404	15000116	W15000XHGK
W15400X	15000121400	W15404DSK	W15400RK	W15000120404A	W15000175404A	15000125404	15000116	W15000XHGK
W15401IX	15000121401	W15404DSK	W15401IRK	W15000120404A	W15000175404A	15000125404	15000116	W15000XHGK
W15402X	15000121402	W15404DSK	W15402RK	W15000120404A	W15000175404A	15000125404	15000116	W15000XHGK
W15403IX	15000121403	W15404DSK	W15403IRK	W15000120404A	W15000175404A	15000125404	15000116	W15000XHGK
W15404X	15000121404	W15404DSK	W15404RK	W15000120404A	W15000175404A	15000125404	15000116	W15000XHGK
W15405X	15000121405	W15410DSK	W15405RK	W15000120410A	W15000175410A	15000125410	15000116	W15000XHGK
W15406X	15000121406	W15410DSK	W15406RK	W15000120410A	W15000175410A	15000125410	15000116	W15000XHGK
W15407X	15000121407	W15410DSK	W15407RK	W15000120410A	W15000175410A	15000125410	15000116	W15000XHGK
W15408IX	15000121408	W15410DSK	W15408IRK	W15000120410A	W15000175410A	15000125410	15000116	W15000XHGK
W15115MX	15000121115M	W15410DSK	W15115MRK	W15000120410A	W15000175410A	15000125410	15000116	W15000XHGK
W15409IX	15000121409	W15410DSK	W15409IRK	W15000120410A	W15000175410A	15000125410	15000116	W15000XHGK
W15410IX	15000121410	W15410DSK	W15410IRK	W15000120410A	W15000175410A	15000125410	15000116	W15000XHGK



TSP300 Swivel Assembly (optional accessory)



Notes:

- Refer to page 7 for parts kit information.
- Drive units with model numbers ending in "PX" are factory equipped with the TSP300 Swivel Assembly.

Refer to the wrench instruction sheet for:

- Inspection, lubrication and maintenance instructions.
- Torque specifications for selected fasteners.

Figure 3, Drive Unit and Swivel Assemblies, W15000X Series

Repair Parts List for Figure 3

Item	Part Number	Quantity (used on drive unit)		Quantity (included in each kit)							(*) Item available separately OR in kit.	Description
		Model W15000X	Model W15000PX	Seal Kit, W15000X Series W15000XSK	Retract Link Kit W15000RLK	Drive Unit Rebuild Kit W15000DRK	Swivel Manifold Seal Kit TSP300MSK	Swivel Post and Manifold Kit SP300MKB (For Standard Swivel)	Swivel Manifold Kit TSP300 (For TSP300 Swivel)	Swivel Post and Manifold Kit TSP300MKB (For TSP300 Swivel)		
1	(Not Available)	1	1									Cylinder Body (housing)
2	15000106	1	1			1						Cylinder Bushing
3	15000104	1	1			1						Piston Rod
4	15000105	1	1		1							Retract Link
5	15000103	1	1			1						Piston
6	15000102	1	1			1						Cylinder Gland
7	W15000126	1	1					1		1	*	Swivel Manifold Post (medium)
8	SP300101	1	---					1			*	Swivel Manifold Block (non-tilt)
9	TR630	1	1					1	1	1		Coupling, 10,000 PSI Screw-On
10	FZ1608	1	1					1	1	1		Adaptor, Hex 10,000 PSI
11	TH630	1	1					1	1	1		Nipple, 10,000 PSI Screw-On
12	E2342	1	1	1								Seal, Rod
13	E2340	1	1	1								Seal, T-Piston w/Back Up Rings
14	E2304K	2	2	2			2	2		2	*	O-Ring (packet of 10)
15	E2343	1	1	1								O-Ring
16	E2328	1	1	1								O-Ring
17	E2240	2	2	2			2	2	2	2		O-Ring
18	E2238	1	1	1			1	1	1	1		O-Ring
19	E4606	1	1			1						Screw, Button Head
20	CCA517028-1A	4	4					4		4		Swivel Manifold Retaining Bolt
21	E4856	1	1	1			1	1	1	1		Retainer Ring, Circlip
22	CCA323057-2A	1	1		1							Pin, Spirol Spring
23	E3016K	1	1		1						*	Spring, Compression (packet of 10)
24	TSP300101	---	1						1	1		Swivel Arm, Pressure A
25A	E2235	---	2				2		2	2		O-Ring, Double Swivel (small)
25B	E2173	---	2				2		2	2		O-Ring, Double Swivel (large)
26	TSP300103	---	1						1	1		Manifold Block, Double Swivel
27	E4650	---	1				1		1	1		Capscrew, Swivel Arm
28	TSP300102	---	1						1	1		Swivel Arm, Return B

Notes: • Enerpac recommends that all kit components be installed to assure optimum performance of the repaired product.
 • Item 23: Packet quantity is provided only when item is ordered separately and not included in a kit.

Repair Parts Table 4 for Hydraulic Torque Wrench Case			
Item	Part Number	Qty.	Description
1	M2100	1	Carrying Case, Drive Unit, W15000X
2	M2360	1	Carrying Case, Cassette, W15000X

NOTES:

<hr/> <hr/> <hr/> <hr/> <hr/> <hr/> <hr/> <hr/> <hr/> <hr/> <hr/> <hr/> <hr/> <hr/> <hr/> <hr/> <hr/> <hr/> <hr/> <hr/> <hr/> <hr/> <hr/>

NOTES:

