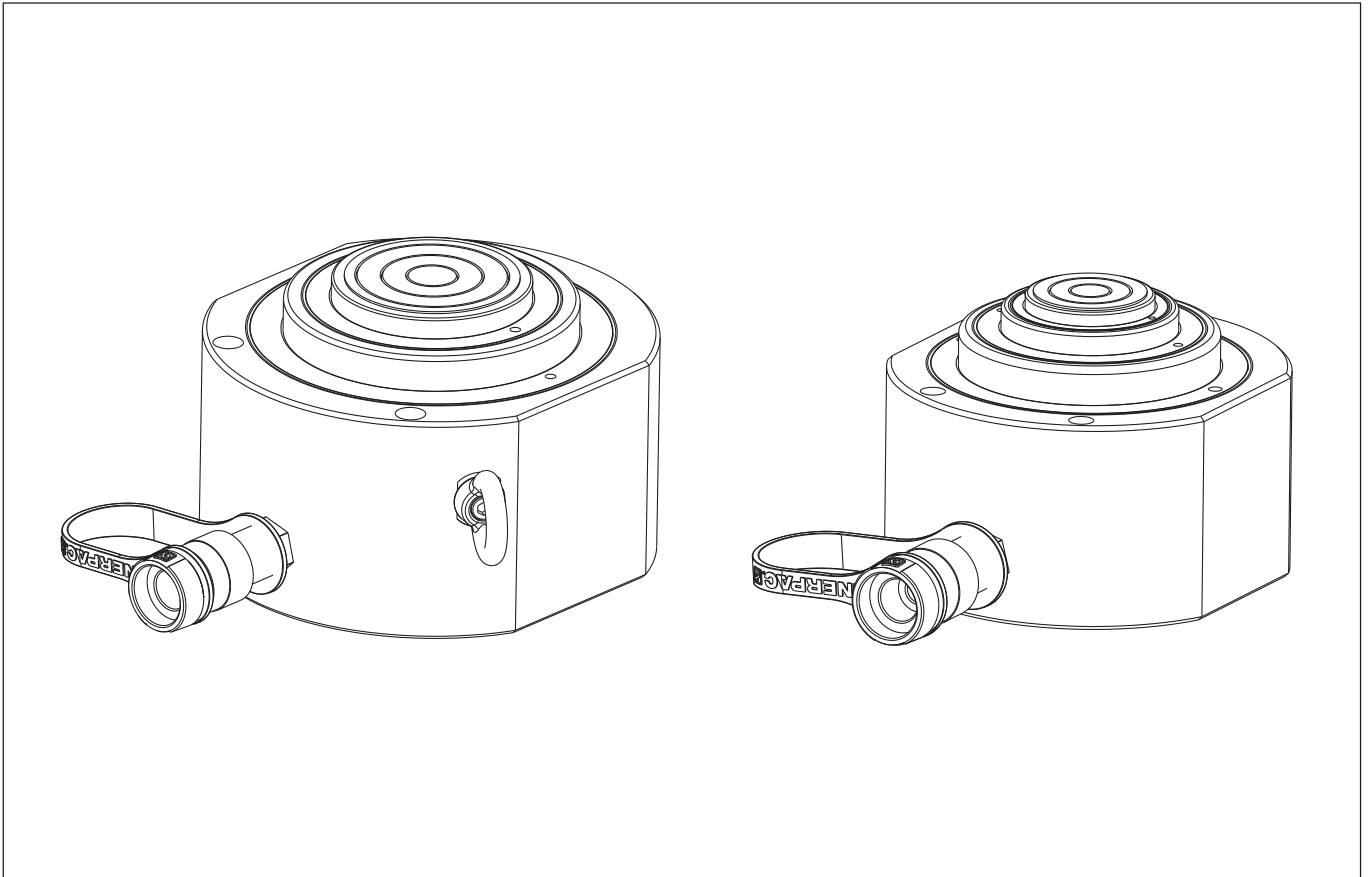


Document Number	Document Revision	Document Revision Date	Product Date Code Beginning With
L4245	B	06/2019	A

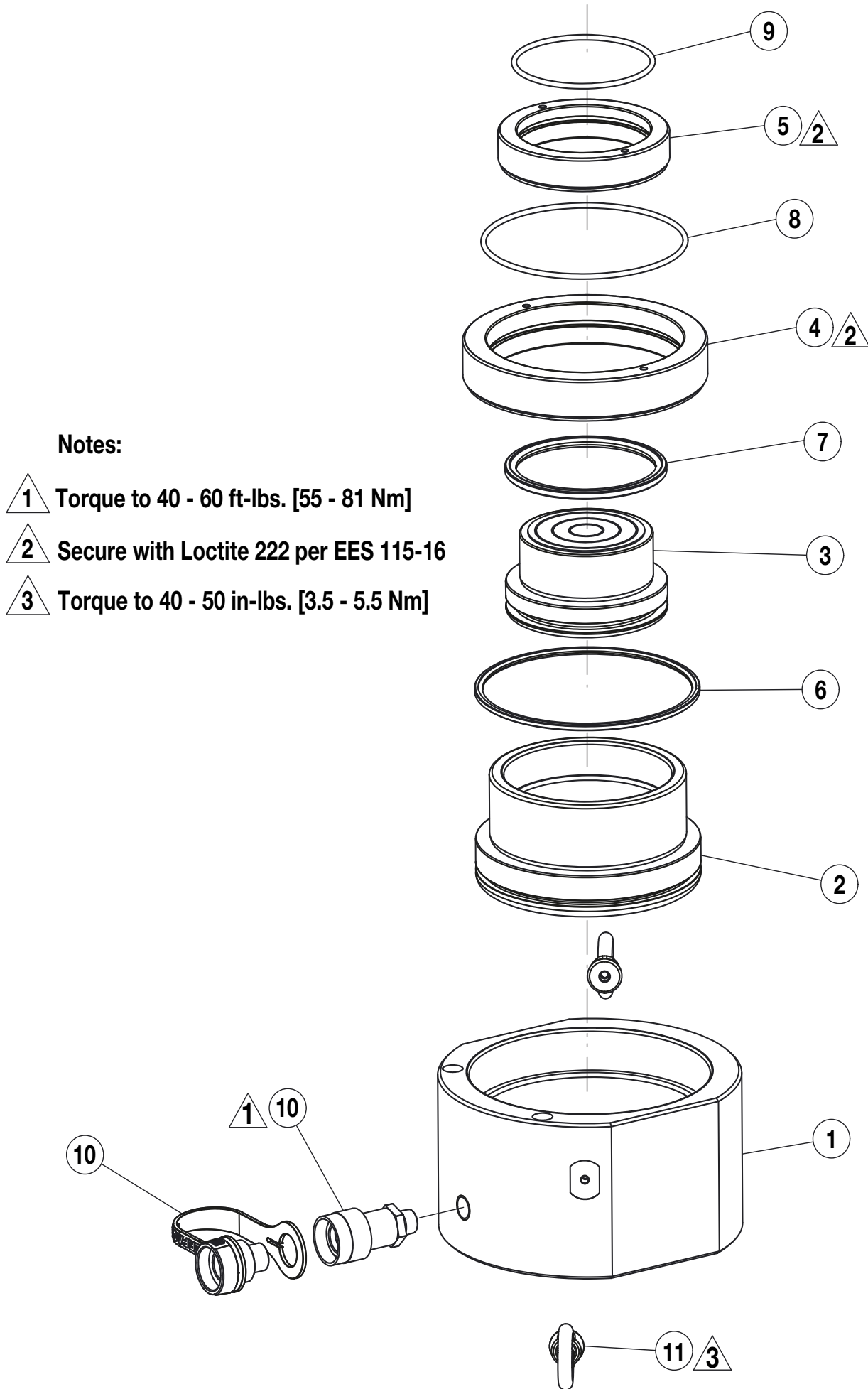
To Protect Your Warranty, Use Only ENERPAC Hydraulic Oil.

Enerpac recommends that all kit components be installed to insure optimum performance of the repaired product.



⚠ WARNING Be certain that hydraulic pressure is completely relieved (0 psi/bar) before beginning any adjustment, maintenance or repair procedures. Appropriate shop safety procedures are to be followed during disassembly and reassembly to minimize any possibility of injury.

Figure 1 - Exploded View for Two Stage Cylinder

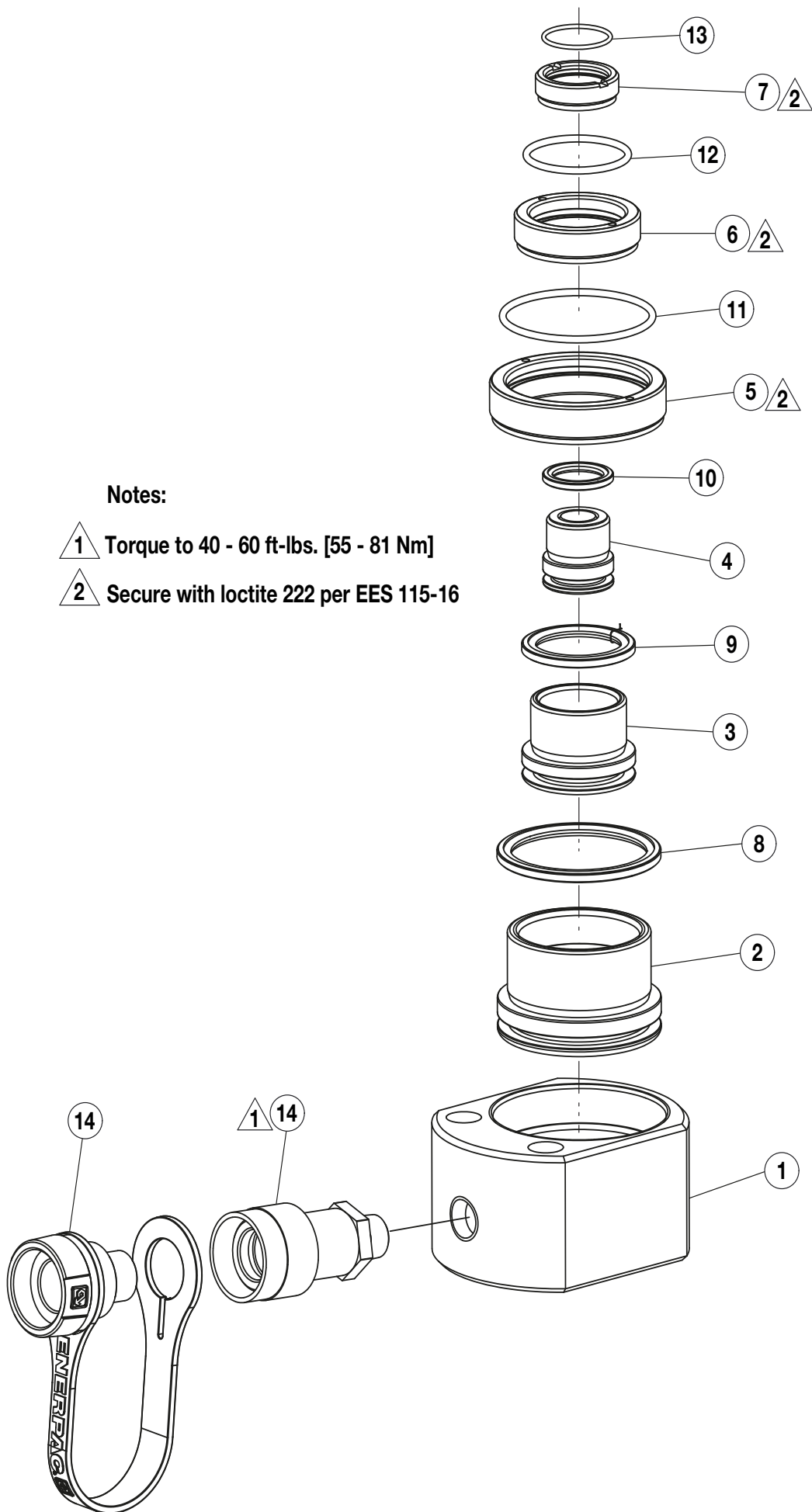


Notes:

- 1** Torque to 40 - 60 ft-lbs. [55 - 81 Nm]
- 2** Secure with Loctite 222 per EES 115-16
- 3** Torque to 40 - 50 in-lbs. [3.5 - 5.5 Nm]

Parts List for Figure 1							
Item No.	Description	Part Number					
		RLT40	RLT110	RLT230	RLT311	RLT501	RLT741
1	Cylinder Base	N/A	N/A	N/A	N/A	N/A	N/A
2	1st Stage Plunger	N/A	N/A	N/A	N/A	N/A	N/A
3	2nd Stage Plunger	N/A	N/A	N/A	N/A	N/A	N/A
4	1st Stage Stop Ring	B170121044-65	B170121044-75	B170121044-85	B170121044-90	B170121044-86	B170121044-91
5	2nd Stage Stop Ring	B170121044-55	B170121044-65	B170121044-75	B170121044-80	B170121044-85	B170121044-90
6	1st Stage Piston Seal	★	★	★	★	★	★
7	2nd Stage Piston Seal	★	★	★	★	★	★
8	1st Stage Scraper	★	★	★	★	★	★
9	2nd Stage Scraper	★	★	★	★	★	★
10	Female Coupler	CR400	CR400	CR400	CR400	CR400	CR400
11	Eyebolt	-	-	-	-	-	DB8099667
12	❖ Warning Decal	★ CH272026	★ CH272026	★ CH272026	★ CH272026	★ CH272026	★ CH272026
13	❖ Enerpac Decal	★ DB8179026	★ DB8179026	★ DB8173026	★ DB8173026	★ DB8179026	★ DB8173026
Service Kit		RLT40K	RLT110K	RLT230K	RLT311K	RLT501K	RLT741K
❖ - Not shown ★ - Included in Service Kit N/A - Not Available							

Figure 2 - Exploded View for Three Stage Cylinder



Parts List for Figure 2				
Item No.	Description	Part Number		
		RLT41	RLT111	RLT231
1	Cylinder Base	N/A	N/A	N/A
2	1st Stage Plunger	N/A	N/A	N/A
3	2nd Stage Plunger	N/A	N/A	N/A
4	3rd Stage Plunger	N/A	N/A	N/A
5	1st Stage Stop Ring	B170121044-75	B170121044-90	B170121044-86
6	2nd Stage Stop Ring	B170121044-65	B170121044-80	B170121044-85
7	3rd Stage Stop Ring	B170121044-55	B170121044-65	B170121044-75
8	1st Stage Piston Seal	★	★	★
9	2nd Stage Piston Seal	★	★	★
10	3rd Stage Piston Seal	★	★	★
11	1st Stage Scraper	★	★	★
12	2nd Stage Scraper	★	★	★
13	3rd Stage Scraper	★	★	★
14	Female Coupler	CR400	CR400	CR400
15	❖ Warning Decal	★ CH272026	★ CH272026	★ CH272026
16	❖ Enerpac Decal	★ DB8179026	★ DB8173026	★ DB8179026
Service Kit		RLT41K	RLT111K	RLT231K
❖ - Not shown ★ - Included in Service Kit N/A - Not Available				

ENERPAC 
POWERFUL SOLUTIONS. GLOBAL FORCE.
www.enerpac.com