



EQUALIZER[™]
AN ENERPAC BRAND

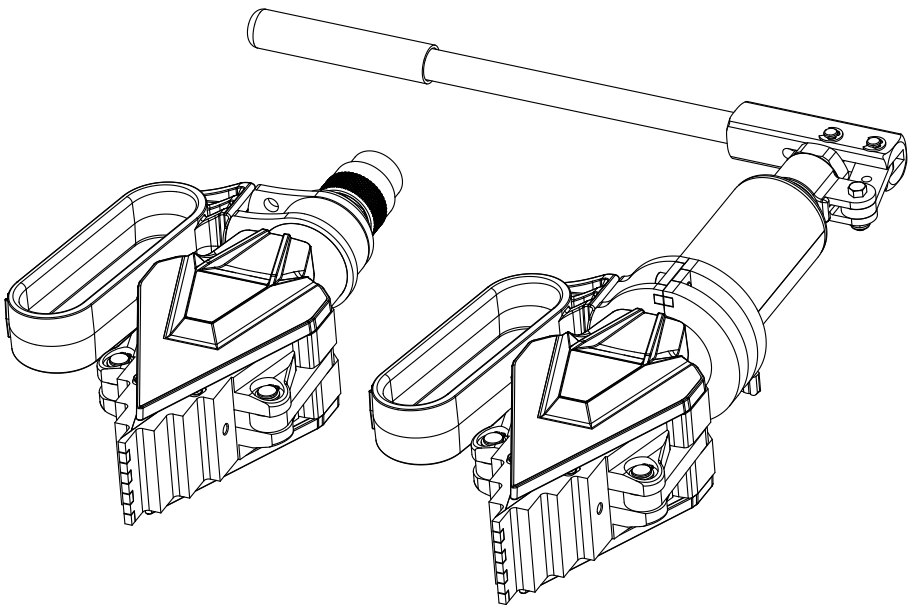
Repair Parts Sheet

Flange Spreading Wedge SWi5TE / SWi5TI

L4391 Rev. B 12/19

SWi5TE product with serial number greater than "00000"
SWi5TI product with serial number greater than "00000"

Equalizer recommends that all kit components be installed to ensure optimum performance of the repaired product.



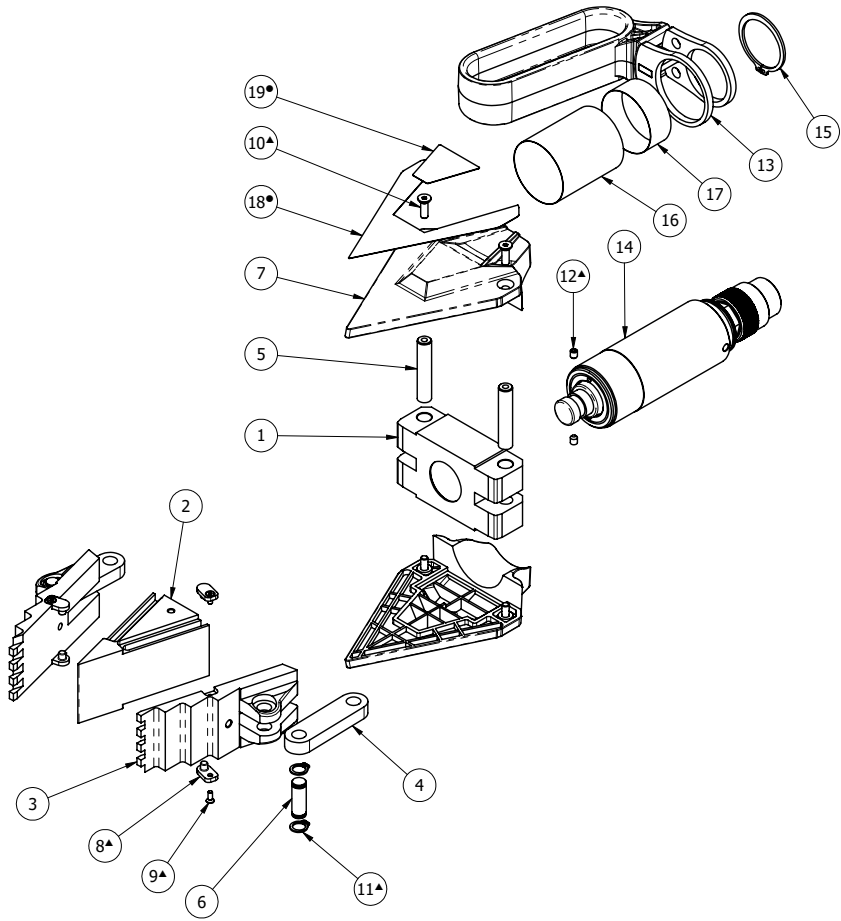


Figure 1, Exploded View, SWiSTE

Repair Parts List For Figure 1 – SWi5TE Wedge Head

Item	Description	Qty	Part Numbers
1	BODY	1	1640001-01
2	SWi5TE WEDGE COATING	1	1640006-01
3	JAW	2	1640002-01
4	SWi5TE LINK_FINISHED	2	1120003-01
5	SWi5TE PIN_FINISHED	2	1120007-01
6	SWi5TE PIN_FINISHED	2	1120008-01
7	SWi5TE COVER PLATE	2	1640050-01
8	SWi5TE JOINING PLATE	4	▲
9	M3 x 8 CSUNK SCREW	4	▲
10	M5 x 16 CSUNK SCREW	4	▲
11	EXTERNAL CIRCLIP	4	▲
12	M5 SCKT SET SCREW	2	▲
13	SWi5TE HANDLE ASSEMBLY	1	1640300-01
14	SSS050UK 5T CYLINDER	1	1640200-01
15	EXTERNAL CIRCLIP - DIN 471 - 40 x 1.75	1	1120017-01
16	SWi5TE CYLINDER WRAP STICKER (LARGE)	1	on request
17	SWi5TE CYLINDER WRAP STICKER (SMALL)	1	1640054-01
18	COVER PLATE TRIANGLE STICKER	2	●
19	WEDGE LOGO STICKER	2	●

▲ Available as part of Fasteners Kit 1640400-01. ● Available as part of Stickers Kit 2040510-01.

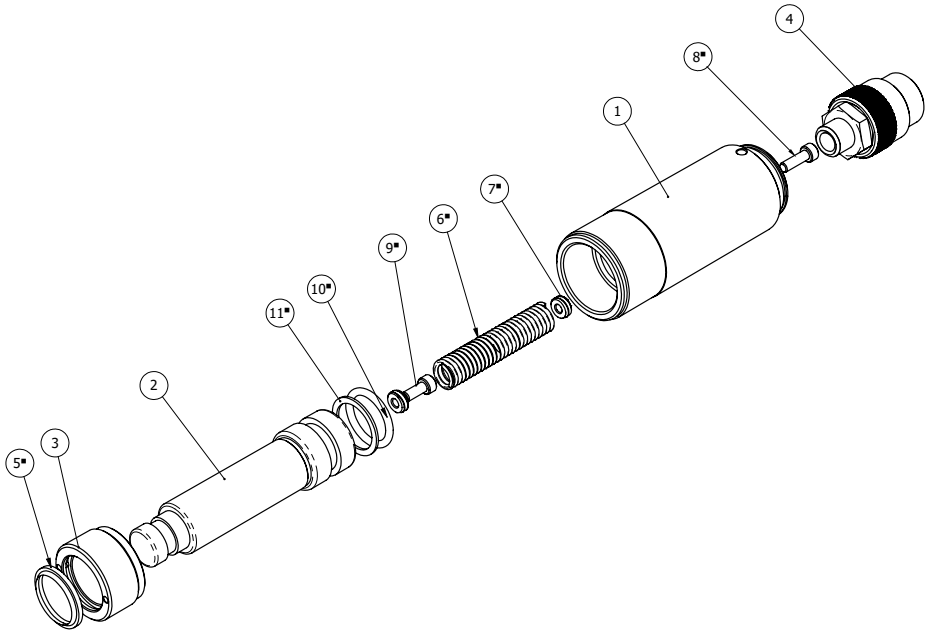


Figure 2, Exploded View, SWi5TE Hydraulic Cylinder

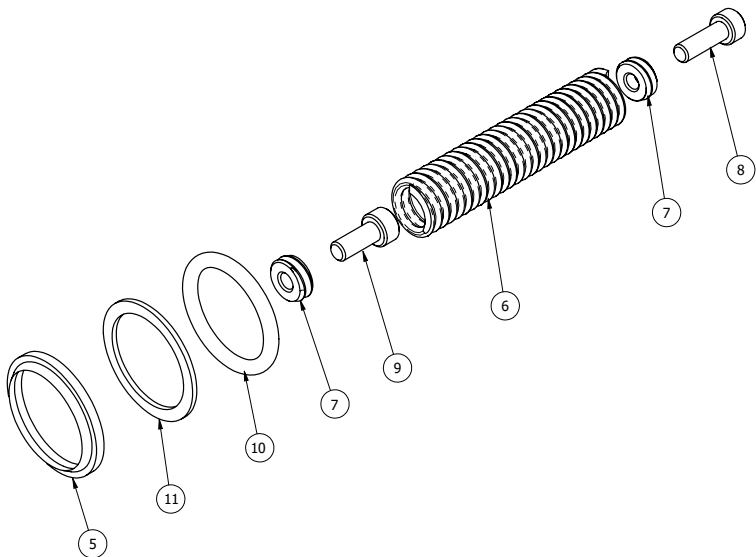


Figure 3, Exploded View, SWi5TE Hydraulic Cylinder Service Kit

Repair Parts List For Figure 2 and 3 – SWi5TE Cylinder Head

Item	Description	Qty	Part Numbers
1	CYLINDER BODY	1	1640201-01
2	CYLINDER PISTON	1	1640202-01
3	CYLINDER ENDCAP	1	1640203-01
4	COUPLER	1	300901-01
5	CYLINDER WIPER SEAL	1	■
6	CYLINDER TENSION DIE SPRING	1	■
7	CYLINDER SPRING LOCK	2	■
8	CYLINDER M5x16 CAP SCREW	1	■
9	CYLINDER M5x12 CAP SCREW	1	■
10	CYLINDER O-RING	1	■
11	CYLINDER BACKUP RING	1	■

■ Available as part of Cylinder Service Kit 1640213-01.

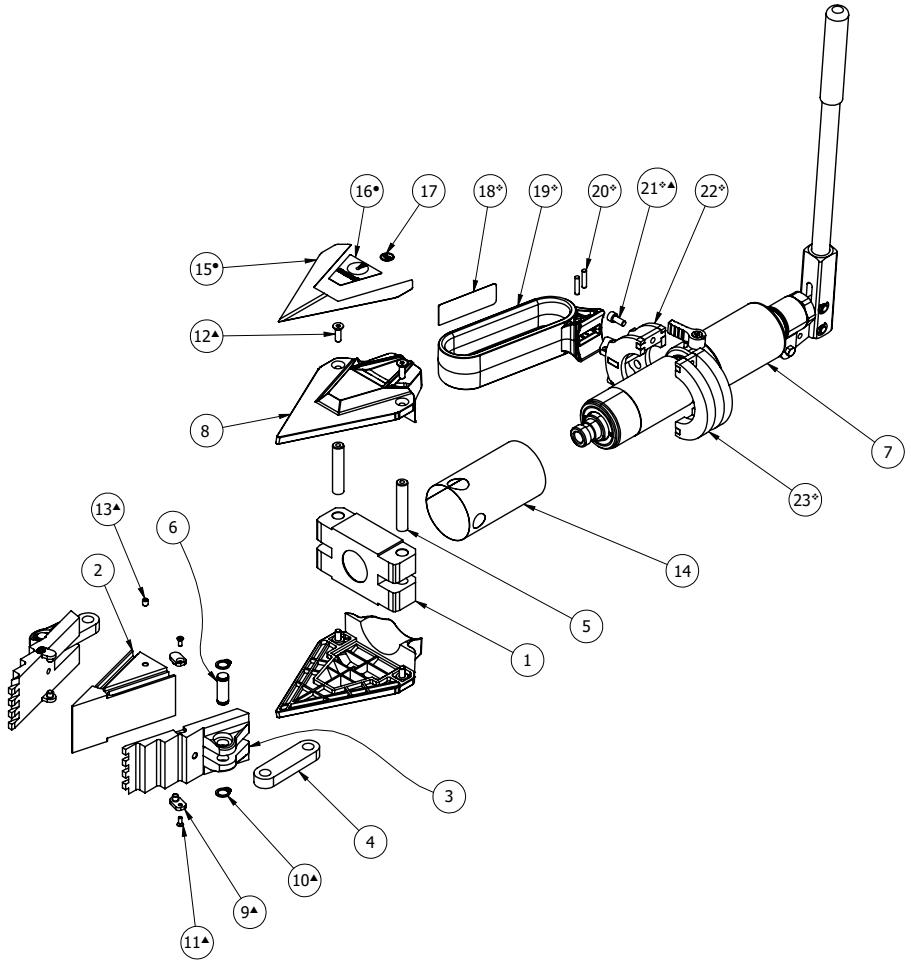


Figure 4, Exploded View, SWI5TI

Repair Parts List For Figure 4 – SWi5TI

Item	Description	Qty	Part Numbers
1	BODY	1	1640001-01
2	SWi5TE WEDGE COATING	1	1640006-01
3	JAW	2	1640002-01
4	SWi5TE LINK_FINISHED	2	1120003-01
5	SWi5TE PIN_FINISHED	2	1120007-01
6	SWi5TE PIN_FINISHED	2	1120008-01
7	PM050UK CYLINDER	1	2040002-01
8	SWi5TE COVER PLATE	2	1640050-01
9	SWi5TE JOINING PLATE	4	▲
10	EXTERNAL CIRCLIP	4	▲
11	M3 x 8 CSUNK SCREW	4	▲
12	M5 x 16 CSUNK SCREW	4	▲
13	M5 SCKT SET SCREW	2	▲
14	SWi5TI CYLINDER DECAL	1	on request
15	COVER PLATE TRIANGLE STICKER	2	●
16	WEDGE LOGO STICKER	2	●
17	QC SEALED TOP PLATE STICKER	1	not available
18	HANDLE STICKER	1	❖
19	MODULAR HANDLE (MOULDING)	1	❖
20	HANDLE PIN	2	❖
21	M5 x 12mm SCKT HEAD CPSCREW	2	❖ ▲
22	SWi5TI HANDLE WELDMENT	1	❖
23	SWi5TI HANDLE BASE WELDMENT	1	❖

▲ Available as part of Fasteners Kit 1640400-01.

● Available as part of Stickers Kit 2040510-01.

❖ Available as part of Handle Kit 2040300-01

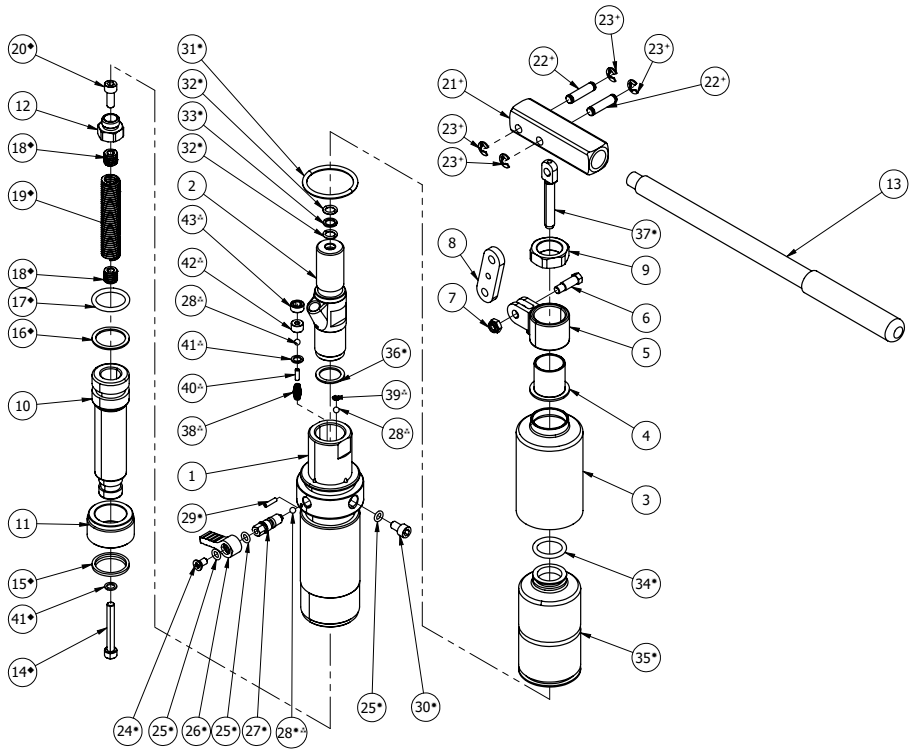


Figure 5, Exploded View, TI Cylinder

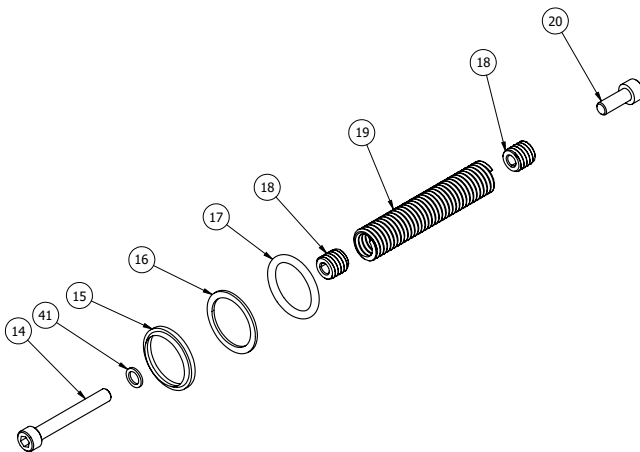


Figure 6, Exploded View, SWi5TI Cylinder Service Kit

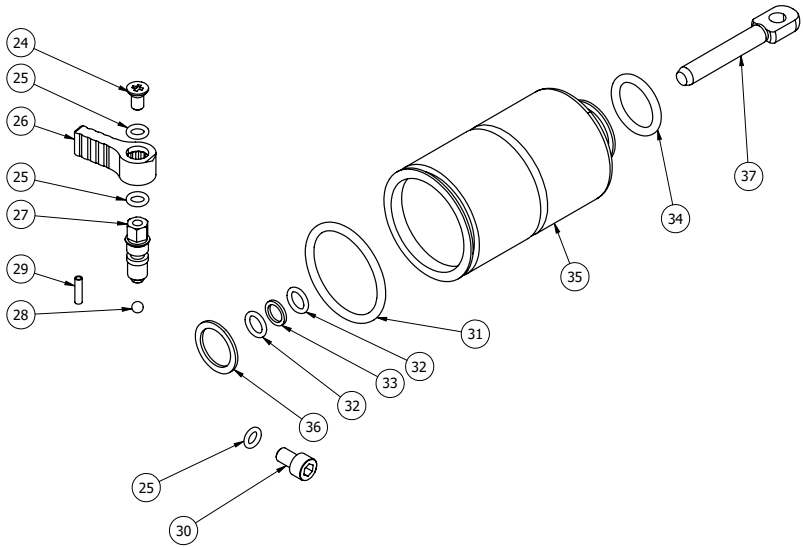


Figure 7, Exploded View, SWi5TI Cylinder Integral Bladder Service Kit

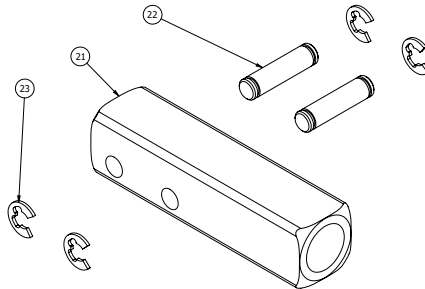


Figure 8, Exploded View, SWi5TI Cylinder Handle Clevis Service Kit

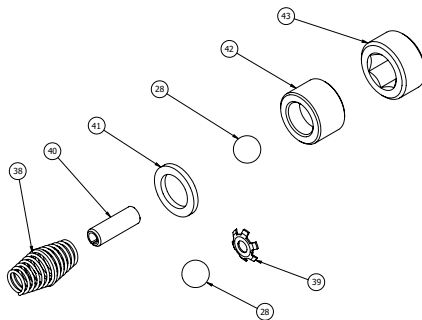


Figure 9, Exploded View, SWi5TI Cylinder Manifold Service Kit

Repair Parts List For Figure 5, 6, 7, 8, and 9 – TI Cylinder

Item	Description	Qty	Part Numbers
1	CYLINDER BASE	1	2040401-01
2	PISTON HOUSING ASSEMBLY	1	2040402-01
3	BLADDER HOUSING	1	2040404-01
4	PISTON HOUSING CAP	1	372401-01
5	SWIVEL CLEVIS	1	2040411-01
6	CLEVIS SCREW	1	373201-01
7	ANTI-LOOSEN NUT	1	373301-01
8	LINK CONNECTOR	1	373101-01
9	RETAINING NUT	1	2040412-01
10	PISTON ROD	1	2040405-01
11	FASTEN ROD	1	2040406-01
12	STOP COLLAR	1	2040407-01
13	HANDLE ASSEMBLY	1	2040423-01
14	SCREW	1	◆
15	WIPER SEAL	1	◆
16	CYLINDER BACKUP RING	1	◆
17	CYLINDER O-RING	1	◆
18	SPRING LOCK	2	◆
19	SPRING	1	◆
20	SCREW	1	◆
21	HANDLE CLEVIS	1	✦
22	CLEVIS PIN	2	✦
23	RETAINING RING	4	✦

Repair Parts List For Figure 5, 6, 7, 8, and 9 – TI Cylinder

Item	Description	Qty	Part Numbers
24	FIXING SCREW	1	✱
25	O-RING	3	✱
26	RELIEF VALVE KNOB	1	✱
27	RELIEF VALVE SCREW	1	✱
28	STEEL BALL	3	✱ ✱✱
29	ROLL PIN	3	✱
30	OIL FILL SCREW	1	✱
31	O-RING	1	✱
32	O-RING	2	✱
33	BACK-UP RING	1	✱
34	O-RING	1	✱
35	RESERVOIR BLADDER	1	✱
36	WASHER	1	✱
37	PUMP PISTON ROD	1	✱
38	SPRING	1	✱✱
39	CIRCULAR INTERNAL SPRING	1	✱✱
40	SPRING PIN	1	✱✱
41	WASHER	2	◆ ✱✱
42	REPLACEMENT SEAT	1	✱✱
43	HOLLOW LOCK SCREW	1	✱✱
◆ Available as part of Cylinder Service Kit 2040520-01.		✦ Available as part of Handle Clevis Service Kit 2040550-01.	
✱ Available as part of Integral Bladder Service Kit 2040530-01.		✱✱ Available as part of Manifold Service Kit 2040540-01.	

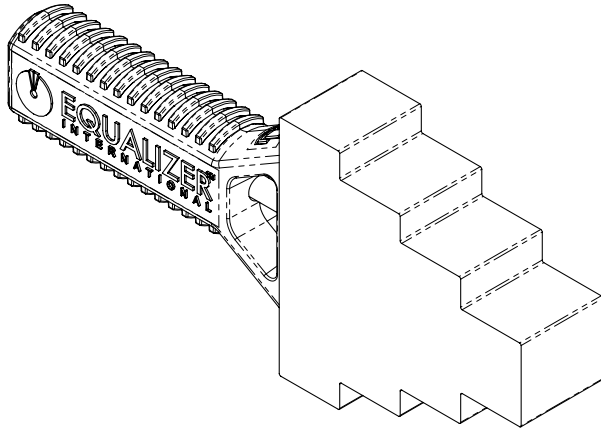


Figure 10, View, Safety Block (Small)

Repair Parts List For Figure 10 – Safety Block (Small)			
Item	Description	Qty	Part Numbers
1	SAFETY BLOCK (SMALL)	1	1640015-01

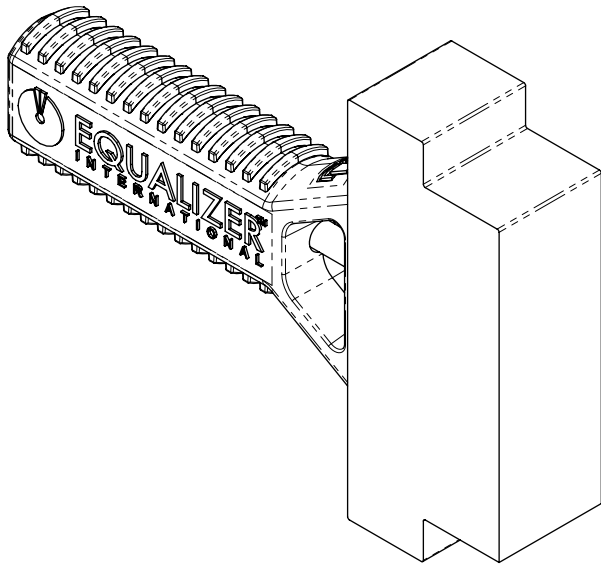


Figure 11, View, Large Safety Block Assembly

Repair Parts List For Figure 11 – Large Safety Block Assembly

Item	Description	Qty	Part Numbers
1	LARGE SAFETY BLOCK (ASSEMBLY)	1	1640017-01

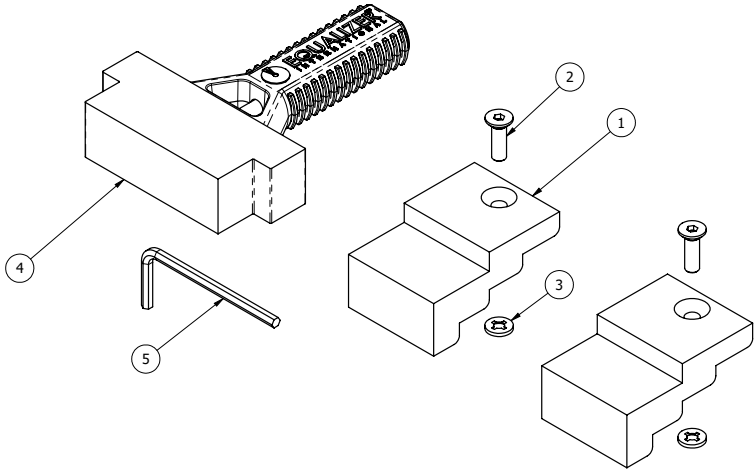


Figure 12, Exploded View, Step Block (Pair) Kit

Repair Parts List For Figure 12 – Step Block (Pair) Kit			
Item	Description	Qty	Kit Number
1	SWi5TE STEP BLOCK	2	1640016-01
2	M6 CSK HEX SCREW	2	
3	RETAINING WASHER	2	
4	SWi5TE LARGE SAFETY BLOCK ASSEMBLY	1	
5	4mm ALLEN KEY	1	

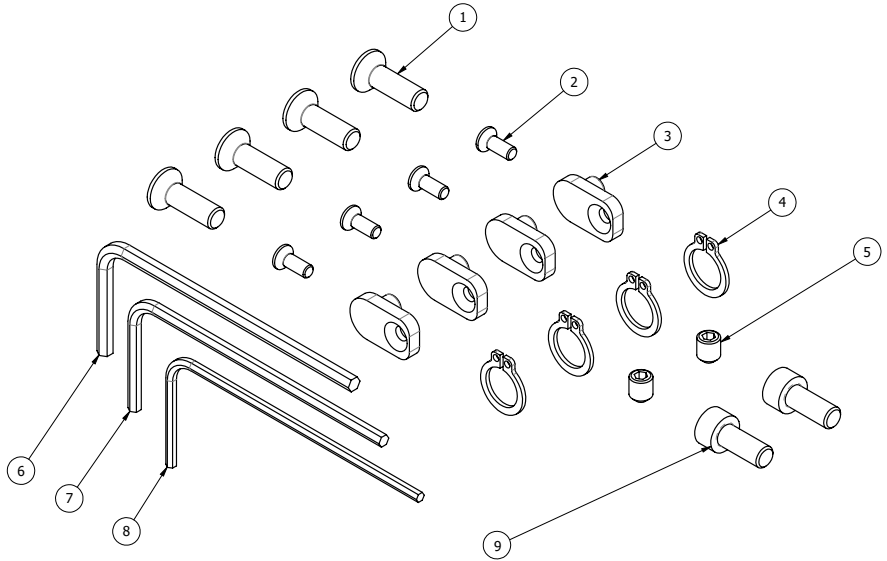


Figure 13, Exploded View, Fasteners Kit

Repair Parts List For Figure 13 – Fasteners Kit			
Item	Description	Qty	Kit Number
1	M5 x 16 CSUNK SCREW	4	1640400-01
2	M3 x 8 CSUNK SCREW	4	
3	SWi5TE JOINING PLATE	4	
4	EXTERNAL CIRCLIP	4	
5	M5 SCKT SET SCREW	2	
6	3 mm ALLEN KEY	1	
7	2.5 mm ALLEN KEY	1	
8	2 mm ALLEN KEY	1	
9	M5x12mm SCKT HEAD CPSCREW (SWi5TI only)	2	



www.enerpac.com