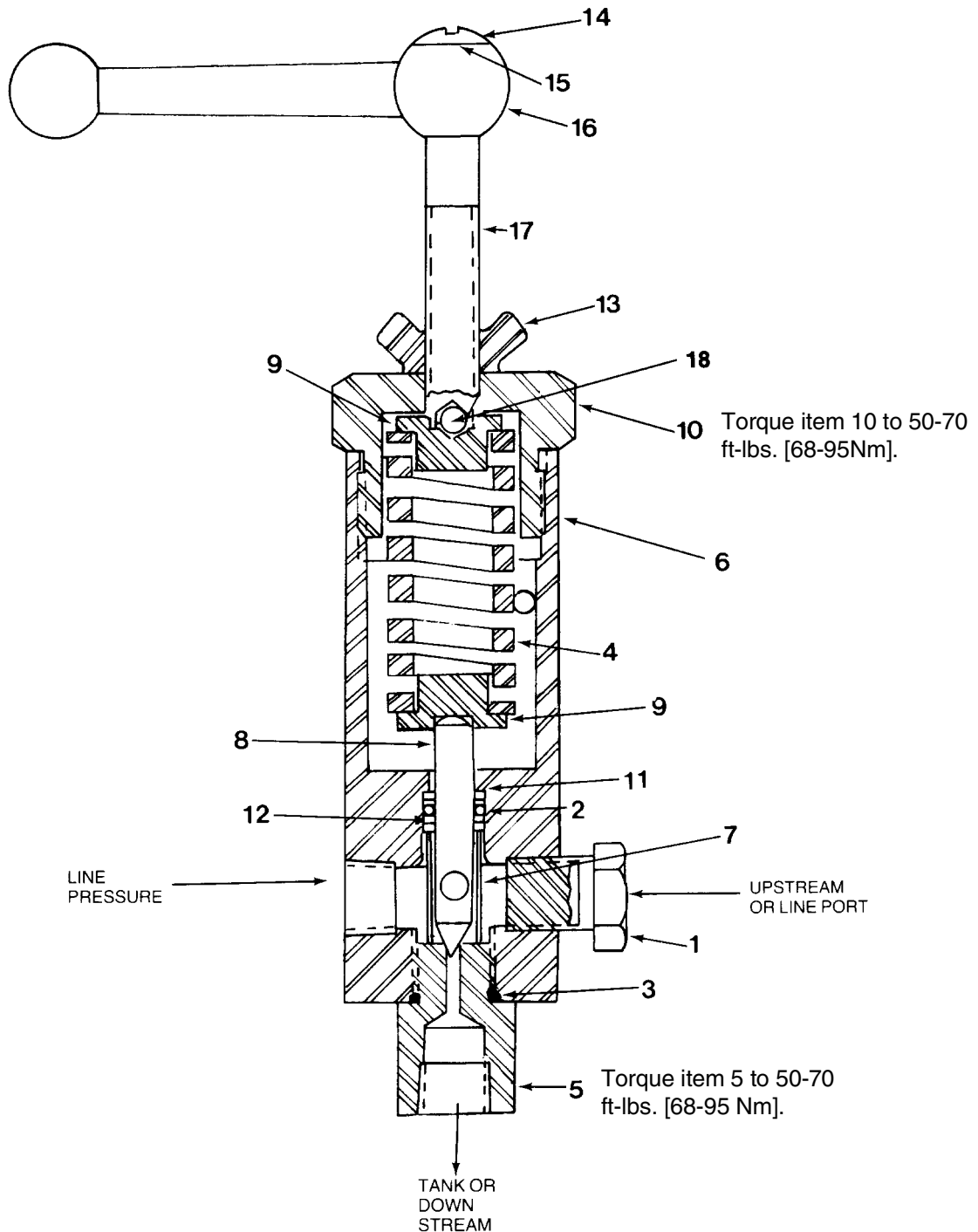


L758
Rev. C
08/97

For date codes beginning with "O".



TO PROTECT YOUR WARRANTY, USE ONLY ENERPAC HYDRAULIC OIL.

Parts List

Item Number	Part Number	Quantity	Description
1	R515245-2	1	Pressure Plug
2	★ B1006503	1	O-Ring
3	★ B1220503	1	O-Ring
4	CB470110	1	Compression Spring
5	DA2949290	1	Seat
6	CB951190	1	Valve Body
7	CB952013	1	Piston Guide
8	CB953051	1	Piston
9	CB954013	2	Spring Guide
10	CB955006	1	Plug
11	★ CB956186	2	Spacer
12	★ CB957564	2	Back-Up Ring
13	F85021	1	Wing Nut
14	P45138	1	Oval Head Machine Screw
15	P45139	1	Lock Washer
16	P6012	1	Valve Lever
17	Y200010	1	Valve Spindle
18	★ B1005016	1	Ball

★ Indicates items included in and available only as a part of Repair Kit V152K.

Australia

ENERPAC
Applied Power Australia, Ltd.
P.O. Box 261 Regents Park
Sydney, N.S.W. 2143
Tel: (61) (2) 9743 8988
Fax: (61) (2) 9743 8648

CIS

Applied Power Moscow
Leninsky Prospekt 95A
117313 Moscow, Russia
Tel: (7)(95) 936 5090
Fax: (7)(95) 936 2006

France, Switzerland, Turkey, Greece, Africa, Middle East

ENERPAC S.A.
Parc d'Activité du Moulin
de Massy
1 rue du Saule trapu, BP200
F-91882 Massy CEDEX
(Paris) France
Tel: (33) 1 60 13 68 68
Fax: (33) 1 69 20 37 50

Germany, Scandinavia, Eastern Europe, Austria, Switzerland

ENERPAC
Applied Power GmbH
P.O. Box 30 01 13
Mündelheimer Weg 51
40401 Düsseldorf 30
Germany
Tel: (49) (211) 47 14 90
Fax: (49) (211) 4714 928/940

Holland, Belgium, and Luxemburg

ENERPAC B.V.
P.O. Box 269, Storkstraat 25
3900AG Veenendaal
Holland
Tel: (31) (318) 535911
Fax: (31) (318) 525613/526645

Hong Kong

ENERPAC
Room No. 907, Workingberg
Commercial Building
41-47 Marble Road, North Point
Tel: (852) 561-6295
Fax: (852) 561-6772

India

ENERPAC
Hydraulics (India) Pvt Ltd.
203 Vardhaman Chamber
Plot #84, Sector 17
Vashi, New Bombay 400 705
India
Tel: 91-22-7631062
Fax: 91-22-7670309

Italy

ENERPAC
Applied Power Italiana S.p.A.
Via Canova, 4
20094 Corsico (Milano)
Italy
Tel: 39 2 45 82 741/2/3
Fax: 39 2 48 60 12 88

Japan

Applied Power Japan LTD
10-17 Sasame Kita-cho
Toda-City
Saitama 335,
Japan
Tel: 81 048 422 2251
Telex: J26275
Fax: 81 048 422 0596

Mexico

ENERPAC
Applied Power Mexico S.A. de C.V.
Av. Principal La Paz #100
Fracc. Industrial La Paz
42084 Pachuca. Hidalgo, Mexico
Tel: (52) 771 33700
Fax: (52) 771 83800

Singapore

Applied Power Asia Pte Ltd.
47 Jalan Pemimpin #01-02
Singapore 2057
Thomson Road P.O. Box 114
Singapore 9157
Tel: (65) 258 1677
Fax: (65) 258 2847

South Korea

ENERPAC
Applied Power Korea Ltd.
163-12, Dodang-Dong
Wonmi-gu, Buchun-Shi,
Kyunggi-Do
Korea
Tel: (82) (32) 675 0836
Fax: (82) (32) 675 3002

Spain, Portugal

ENERPAC
Applied Power International, S.A.
Calle de la Imprenta, 7
Poligono Industrial
28100 Alcobendas (Madrid)
Spain
Tel: (34) 1 661 11 25
Fax: (34) 1 661 47 89

United Kingdom, Ireland

ENERPAC Ltd. Unit 3
Colemeadow Road
North Moons Moat
Redditch, Worcester B98 9BP
England
Tel: 44 01527 598 900
Fax: 44 01527 585 500

United States, Canada, Latin America and Caribbean

ENERPAC
13000 West Silver Spring Drive
Butler, Wisconsin 53007, USA
Tel: (414) 781-6600
1-800-433-2766 (End User)
1-800-558-0530 (Distributor)
Fax: (414) 781-1049

Canada

Tel: 1-800-426-4129 (End User)
Tel: 1-800-426-2284 (Distributor)

Latin America and Caribbean

Tel: (414) 781-6600 ext. 263
Fax: (414) 781-5561



All Enerpac products are guaranteed against defects in workmanship and materials for as long as you own them. Under this guarantee, free repair or replacement will be made to your satisfaction.

For prompt service, contact your Authorized Enerpac Service Center or call toll free:

In U.S.A. 1-800-558-0530

In Canada 1-800-426-2284

PRINTED IN U.S.A.