

▼ LPL-Series, Low-height Lock Nut Cylinders



The Lowest Power Lifter



Integrated Tilt Saddles

All LPL-Series cylinders include integrated tilt saddles with maximum tilt angles up to 5°.

- Lock nut provides mechanical load holding for a safe work environment
- Integrated tilt saddle allows for up to 5 degrees of misalignment
- Extreme low-height for use in confined areas
- Side-load resistance 5-10% of maximum capacity
- Overflow port as stroke limiter to prevent plunger blow-out
- Single-acting, load-return

▼ Only the extreme low-height LPL-cylinder fits in this confined area to lift the construction. The lock nut provides positive and safe mechanical load holding over a long period of time.



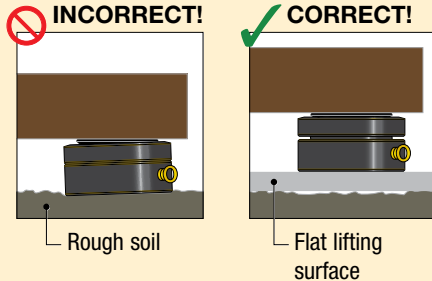
Cylinder Capacity (ton)	Stroke (in)	Model Number	Maximum Cylinder Cap. at 10,150 psi (ton)	Side-load Resistance of Maximum Capacity	Cylinder Effective Area (in ²)
60	1.97	LPL602	68	10%	13.42
100	1.97	LPL1002	113	10%	22.19
150	1.77	LPL1602	179	8%	35.18
200	1.77	LPL2002	223	8%	43.95
250	1.77	LPL2502	286	5%	56.27
400	1.77	LPL4002	450	5%	88.75
500	1.77	LPL5002	575	5%	113.25

Single Acting, Low-Height Lock Nut Cylinders



IMPORTANT!

All LPL-Series cylinders require a solid lifting surface for correct support. The use of these cylinders on surfaces such as sand, mud or dirt, may result in cylinder damage.



For more safety instructions see our 'Learning Center' on www.enerpac.com

LPL Series



Capacity:

60 - 500 ton

Stroke:

1.77 - 1.97 inches

Maximum Operating Pressure:

10,150 psi



Longer Stroke Lock Nut Cylinders

For longer stroke applications HCL-Series Lock Nut Cylinders are the perfect choice.

Page: **56**



Split-Flow Pumps

SFP-Series pumps with multiple outlets with equal oil flow. For lifting and lowering applications on multiple points these pumps are a far better alternative than using separately operated pumps.

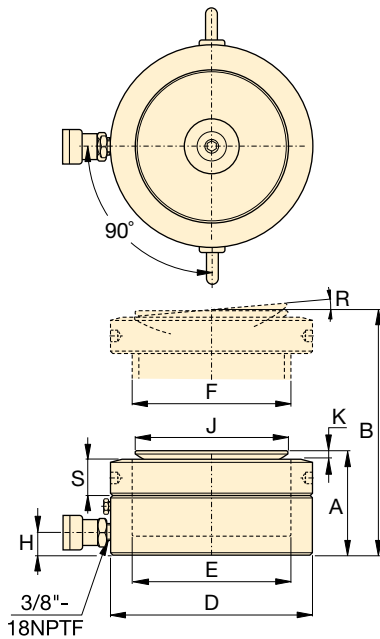
Page: **132**



Synchronous Lifting Systems

Pumps for multiple lift-point capabilities. When increased stroke accuracy is required, use the multi-functional EVO-Series lifting system.

Page: **136**



Oil Capacity	Collapsed Height	Extended Height	Outside Diameter	Cylinder Bore Diameter	Plunger Diameter	Base to Advance Port	Saddle Diameter	Saddle Protrusion from Plunger	Saddle Max. Tilt Angle	Lock Nut Height	Wt.	Model Number
(in ³)	A (in)	B (in)	D (in)	E (in)	F (mm)	H (in)	J (in)	K (in)	R (degrees)	S (in)	(lbs)	
26.4	4.94	6.91	5.51	4.13	Tr 105 x 4	0.75	3.78	0.26	5°	1.10	33	LPL602
43.7	5.39	7.36	6.81	5.31	Tr 135 x 6	0.83	4.96	0.31	5°	1.22	54	LPL1002
62.3	5.83	7.60	8.66	6.69	Tr 170 x 6	1.06	6.30	0.35	5°	1.57	94	LPL1602
77.9	6.10	7.87	9.65	7.48	Tr 190 x 6	1.18	7.09	0.39	5°	1.69	121	LPL2002
99.7	6.24	8.01	10.83	8.46	Tr 215 x 6	1.26	7.87	0.45	5°	1.69	155	LPL2502
157.2	7.01	8.78	13.78	10.63	Tr 270 x 6	1.56	9.84	0.45	4°	2.17	284	LPL4002
200.6	7.56	9.33	15.75	12.01	Tr 305 x 6	1.91	11.42	0.39	3°	2.42	404	LPL5002