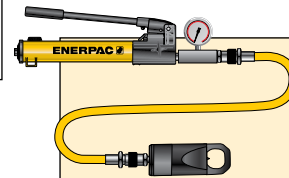


▼ Shown from left to right: NC3241, NC1019, NC1924



The Safest and Easiest Way to Remove Corroded and Frozen Nuts

- Compact and ergonomic design, easy to use
- Unique angled head allows flush access
- Two blade design (NC-D models) for time saving operation – nuts are split from two sides in one action
- Single-acting, spring return cylinder
- Heavy-duty chisels can be reground
- Nut Splitters include spare chisel, spare set screw and wrench used to secure the chisel
- A CR400 coupler is standard



Tool-Pump Kits

Hydraulic Nut Cutters are available as sets (pump, tool, gauge, adaptor and hose) for your ordering convenience.

Hydraulic Nut Cutters are available as sets (pump, tool, gauge, adaptor and hose) for your ordering convenience.

Nut Splitter Model Number	Hand Pump Model Number	Nut Splitter Set Model Number
NC1924	P392	STN1924H
NC2432	P392	STN2432H
NC3241	P392	STN3241H

▼ Enerpac hydraulic nut splitters – the safest and easiest way to remove corroded and frozen nuts



High-Pressure Hoses

Enerpac offers a complete line of high-quality hydraulic hoses. To ensure the integrity of your system, specify only genuine Enerpac hydraulic hoses.

Page: 148



GA45GC Gauge Adaptor

Protect yourself from system overloading by simply ordering one part number for a pre-assembled gauge, adaptor block and coupler.

Page: 162

Single-Acting Hydraulic Nut Splitters



Frozen or Corroded Nuts

Often nuts are difficult to remove, while loosening using tightening tools is possible, it generally requires larger equipment and is time consuming.

The use of cutting torches or hammers and chisels can cause damage to the joint components, requires significantly longer setup and operational time, and can present a potential safety risk.

Hydraulic Nut Splitters

Nut splitting with the Enerpac Hydraulic Nut Splitters is the safest method. It takes less time and avoids costly damage to joint components.

The head design fitted with heavy-duty chisels permits the splitting of nuts on a wide variety of applications. With the two blade models nuts are split from two sides in one action.

NC, STN Series



Bolt Range:

0.31 - 1.88 inches

Hexagon Nut Range:

0.50 - 2.88 inches

Capacity:

5 - 90 tons

Maximum Operating Pressure:

10,000 psi

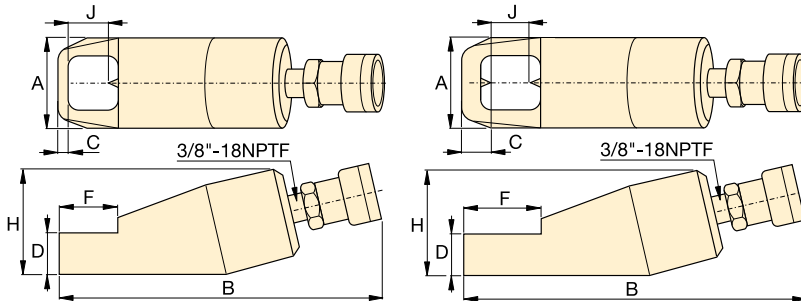
For Nut Splitter Model No.	Replacement Chisel Model Number	
	Moving	Static
NC1019	NCB1019	–
NC1924	NCB1924	–
NC2432	NCB2432	–
NC3241	NCB3241	–
NC4150	NCB4150	–
NC5060	NCB5060	–
NC6075	NCB6075	–
NC1924D	NCB1924	NCB1924D
NC2432D	NCB2432	NCB2432D
NC3241D	NCB3241	NCB3241D



IMPORTANT!

These nut splitters are only designed for **grade 8 metal nuts** which match sizes shown in the specifications chart. These are not suited for square, star, round or stainless steel nuts. Maximum allowable hardness of nuts to be split is HRC-44.

For materials and sizes not specified, contact Enerpac Technical Services.



Single Blade Models (NC)

Double Blade Models (NC-D)

	Bolt Range (in)	Hexagon Nut Range (in)	Maximum Cutting Force (ton)	Oil Capacity (in ³)	Model Number	Dimensions (in)							Weight (lbs)
						A	B	C	D	F	H	J	
	0.31-0.50	0.50-0.75	5	0.92	NC1019	1.57	6.69	0.27	0.75	1.10	1.89	0.83	1.8
	0.50-0.63	0.75-0.94	10	1.22	NC1924 *	2.17	7.52	0.32	1.02	1.57	2.44	0.98	4.4
	0.63-0.88	0.94-1.13	15	3.66	NC2432 *	2.52	8.74	0.39	1.22	2.01	2.83	1.30	6.6
	0.88-1.13	1.13-1.56	20	4.88	NC3241 *	2.95	9.61	0.67	1.42	2.60	3.46	1.69	9.7
	1.13-1.38	1.56-2.00	35	9.46	NC4150	3.70	11.34	0.83	1.77	2.91	4.13	2.13	18.0
	1.38-1.50	2.00-2.25	50	14.64	NC5060	4.17	12.52	0.91	2.13	3.54	5.04	2.36	26.0
	1.50-1.88	2.38-2.88	90	30.00	NC6075	6.14	15.47	1.02	2.83	4.33	7.13	3.15	75.1
	0.50-0.63	0.75-0.94	10	1.22	NC1924D	2.13	6.61	0.87	0.98	1.97	2.60	1.02	8.4
	0.63-0.88	0.94-1.13	15	3.66	NC2432D	2.52	10.83	0.98	1.22	2.56	3.07	1.30	11.9
	0.88-1.13	1.13-1.56	20	4.88	NC3241D	3.03	12.00	1.22	1.46	3.15	3.54	1.69	15.9

* Available as Tool-Pump set, see note on page 334.

▼ Shown from left to right: NSH1927, NSC1927



Designed to Meet the Challenges of Bolted Pipeline Flange Joints



NSC-Series Nut Splitters with Integral Hand Pump

Powered by a built-in hydraulic hand pump, the NSC-Series are a ready-to-use tool – no need for hose, separate hand pump or couplings.



Carrying Case

Nut splitters (up to NSH6575) come in a carry case for portability and easy storage.

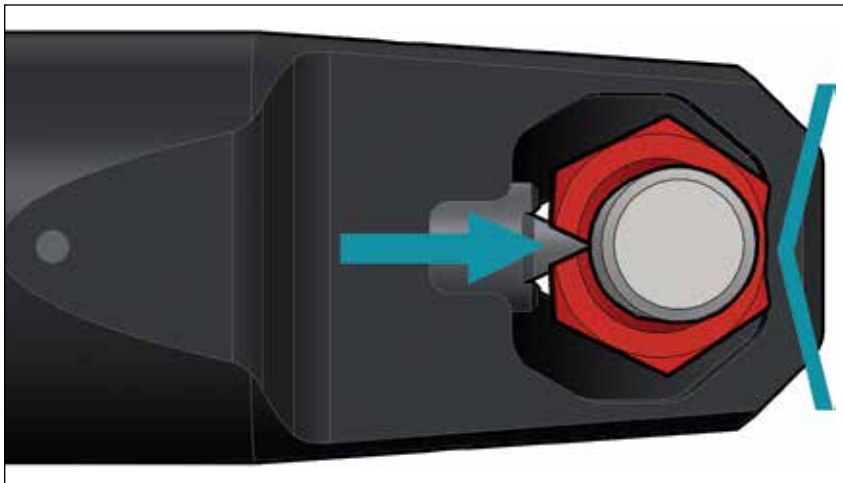


Safety Lanyard FSC1

Standard Safety Lanyard with each nut splitter. Includes steel cable with carabiners.

- NSC-Series with built-in small hand pump – useful for subsea applications and working at heights
- Quick and easy cutting tip replacement
- Drop-tested revolving anchor point and safety lanyard
- Revolving composite handle for vibration and shock isolation
- Nut Splitters include set of hexagon keys and following spare parts:
 - cutting tip
 - tip retention screw
 - spare alignment screw
- CR400 female half coupler is standard (NSH)

▼ *The sharp cutting tip and opposing convex reaction point encourages more efficient splitting by spreading the nut open rather than squashing the nut onto the stud. This makes it easier to rotate the nut for the second cut.*



Single-Acting Integral & Hydraulic Nut Splitters



Frozen or Corroded Nuts

Often nuts are difficult to remove, while loosening using tightening tools is possible, it generally requires larger equipment and is time consuming.

The use of cutting torches or hammers and chisels can cause damage to the joint components, requires significantly longer setup and operational time, and can present a potential safety risk.

Hydraulic Nut Splitters

Nut splitting with the Enerpac Hydraulic Nut Splitters is the safest method. It takes less time and avoids costly damage to joint components. The head design fitted with heavy-duty chisels permits the splitting of nuts on a wide variety of applications. With the two blade models nuts are split from two sides in one action.

NSC, NSH Series



Bolt Range:

1/2 - 1 7/8 inches

Hexagon Nut Range:

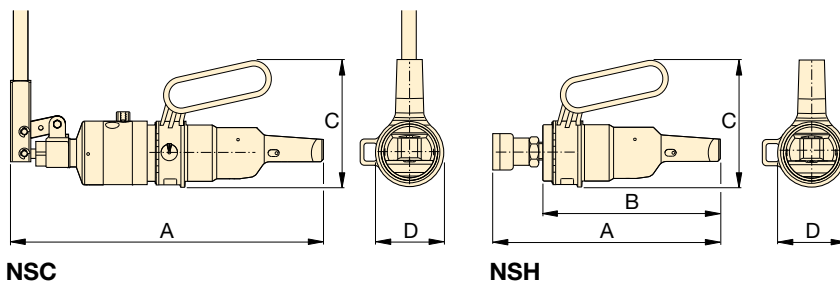
0.75 - 2.95 inches

Capacity:

12 - 50 tons

Maximum Operating Pressure:

10,000 psi (NSH-Series)



NSC

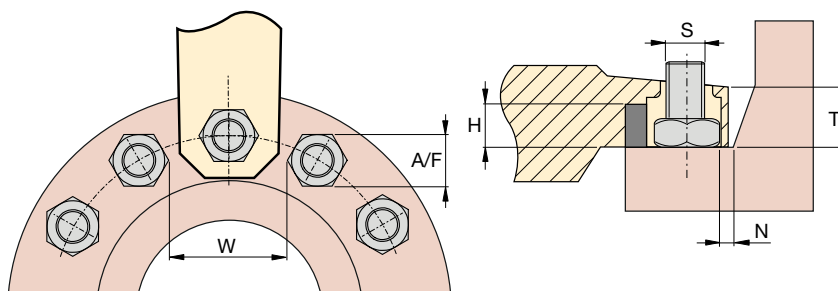
NSH



High-Pressure Hoses

Enerpac offers a complete line of high-quality hydraulic hoses. To ensure the integrity of your system, specify only genuine Enerpac hydraulic hoses.

Page: 148



Joint Separation Tools

Flange Spreaders (FSC, FSH, FSM-Series) provide quick and easy joint separation using hydraulic or mechanical force.

Page: 332

▼ NUT SPLITTER SPECIFICATIONS

Bolt Range	Hexagon Nut Range	Maximum Cutting Force	Oil Capacity	Model Number	Nut Splitter Type	Dimensions (in)							Wt. (lbs)	Cutting Tip Service Kit Model No.		
						A	B	C	D	H max.	N min.	S max.			T	W min.
1/2 - 5/8	0.75 - 1.06	12	—	NSC1927	Integral pump	13.9	—	6.0	3.2	0.71	0.45	0.96	1.04	2.11	12.8	NSH1927CTK
3/4 - 7/8	0.94 - 1.26	15	—	NSC2432		14.6	—	6.0	3.2	0.98	0.35	1.04	1.26	2.26	13.9	NSH2432CTK
1/2 - 5/8	0.75 - 1.06	12	2.8	NSH1927	Hydraulic	10.1	8.4	6.0	3.2	0.71	0.45	0.96	1.04	2.11	7.7	NSH1927CTK
3/4 - 7/8	0.94 - 1.26	15	2.8	NSH2432		10.4	8.7	6.0	3.2	0.98	0.35	1.04	1.26	2.26	8.8	NSH2432CTK
7/8 - 1 1/8	1.42 - 1.81	20	4.9	NSH3646		11.4	9.4	6.7	3.7	1.34	0.63	1.53	1.73	3.20	15.2	NSH3646CTK
1 1/4 - 1 5/8	2.00 - 2.56	36	14.0	NSH5065		14.8	12.7	8.3	7.3	1.77	0.90	1.93	2.05	4.25	24.0	NSH5065CTK
1 5/8 - 1 7/8	2.56 - 2.95	50	20.0	NSH6575		15.6	13.6	8.7	7.9	2.15	1.06	2.40	2.56	5.31	54.0	NSH6575CTK

Ordering Notes: Maximum allowable hardness to split is ASTM A194 Gr 2H. Not to be used on square nuts or stainless steel.

▼ Shown: NSH31 with NSPH3, NSH41 with NSPH4



Ex II 2G c T6

- Designed to fit standard BS/ANSI flanges
- Blade positioning scale to eliminate bolt damage
- Adjustable cutting depth
- Ergonomically designed and positioned handle
- Interchangeable power heads with cutting blade
- Single-acting spring return power head (NSPH)
- Double-acting power head (NSPH-D):
– for subsea operation
- Nut splitters include spare chisel, spare set screw and wrench used to secure the chisel
- CR400 female half coupler standard on NSPH
- CR400 + CH604 couplers standard on NSPH-D.

ATEX certified

- All NSH cutting head and NSPH power head combinations are CE - ATEX certified.

Versatile, reliable and trouble-free operation



Blade Positioning Scale

The power head can be adjusted to preset the blade cutting distance in order to prevent damage to the bolt thread as the nut is cut.

The blade positioning scale can be used with the following bolt and nut forms:

- Unified bolt threads (UN) with heavy series hexagon nuts
- Metric bolt threads (M) with standard series hexagon nuts



Steel Hand Pumps

The **P80** and **P84** two-speed hand pumps are ideal to operate nut splitters. The P84 can be used to power the double-acting tools.

Page: 88



High-Pressure Hoses

Enerpac offers a complete line of high-quality hydraulic hoses. To ensure the integrity of your system, specify only genuine Enerpac hydraulic hoses.

Page: 148

Single- and Double-Acting Hydraulic Nut Splitters



Hydraulic Nut Splitters

These Hydraulic Nut Splitters are the ideal tools for removing seized and corroded nuts, eradicating the need for unsafe grinding or flame cutting.

They are designed with a single acting spring return cylinder and boast a 360 degree rotation, lockable handle improving operator safety.

The heavy-duty blades can also be easily removed to enable replacement blades to be fitted.

Operator Safety

To improve operator safety an ergonomic, adjustable handle is available which can be easily fitted to the Nut Splitter.

This lightweight, durable accessory can prevent injuries such as trapped fingers by eliminating the need to hold the tool itself.

ATEX Certified: Ex II 2 G c T6

These Nut Splitters are tested and certified to conform to the 94/9/EC "ATEX Directive".

The explosion protection is for Equipment Group II, Equipment Category 2 (Hazardous Zone Area 1) in Gas and/or Dust atmospheres.

NSH Series



Bolt Range:

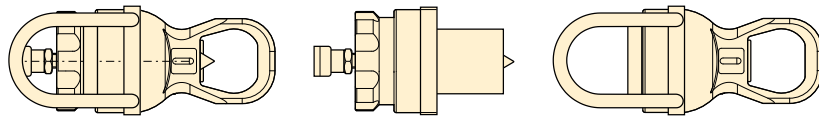
1³/₄ - 3¹/₂ inches

Hexagon Nut Range:

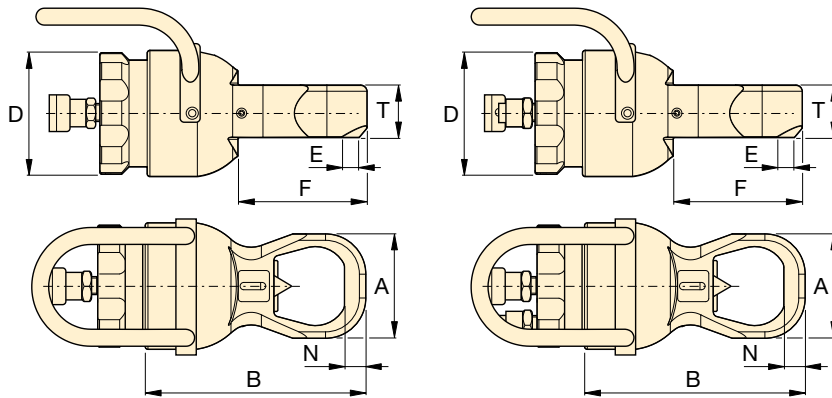
2³/₄ - 5³/₈ inches

Maximum Operating Pressure:

10,000 psi



Complete Nut Splitter = Power Head (NSPH) + Cutting Head (NSH)



NSPH + NSH

NSPH-D + NSH



Joint Separation Tools

Flange Spreaders (FSC, FSH, FSM-Series) provide quick and easy joint separation using hydraulic or mechanical force.

Page: 332

For Power Head Model No.

Cutting Tip Service Kit Model No.

NSPH3

NSPH3D

NSPH3CTK

NSPH4

NSPH4D

NSPH4CTK

▼ NUT SPLITTER SPECIFICATIONS

Bolt Range (in)	Hexagon Nut Range A/F (in)	Maximum Cutting Force (ton)	Oil Capacity (in ³)	Model Numbers Nut Splitter Components				Dimensions (in)							Weight Cutting + Power Head (lbs)	
				Cutting Head	Wt. (lbs)	Power Heads Single-acting	Double-acting	Wt. (lbs)	A	B	D	E	F	N		T
1 ³ / ₄ - 2	2 ³ / ₄ - 3 ¹ / ₈	115	33.5	NSH31	44.1	NSPH3	NSPH3D	48.5	5.2	12.1	7.5	0.3	7.4	1.1	3.2	92.6
1 ³ / ₄ - 2 ¹ / ₄	2 ³ / ₄ - 3 ¹ / ₂	115	33.5	NSH32	46.3	NSPH3	NSPH3D	48.5	5.9	12.7	7.5	0.6	7.9	1.2	3.2	94.8
1 ³ / ₄ - 2 ¹ / ₂	2 ³ / ₄ - 3 ⁷ / ₈	115	33.5	NSH33	48.5	NSPH3	NSPH3D	48.5	6.3	13.0	7.5	0.4	7.9	1.3	3.2	97.0
1 ³ / ₄ - 2 ³ / ₄	2 ³ / ₄ - 4 ¹ / ₄	115	33.5	NSH34	48.5	NSPH3	NSPH3D	48.5	6.8	13.5	7.5	0.4	8.0	1.4	3.2	97.0
2 ³ / ₄ - 3	4 ¹ / ₄ - 4 ⁵ / ₈	195	67.0	NSH41	69.9	NSPH4	NSPH4D	83.8	7.4	14.5	9.3	0.2	9.1	1.4	4.4	153.7
2 ³ / ₄ - 3 ¹ / ₂	4 ¹ / ₄ - 5 ³ / ₈	195	67.0	NSH42	95.9	NSPH4	NSPH4D	83.8	8.6	15.5	9.3	0.1	9.7	1.4	4.4	179.7

Ordering Notes: Maximum allowable hardness to split is ASTM A194 Gr 2H. Not to be used on square nuts or stainless steel.