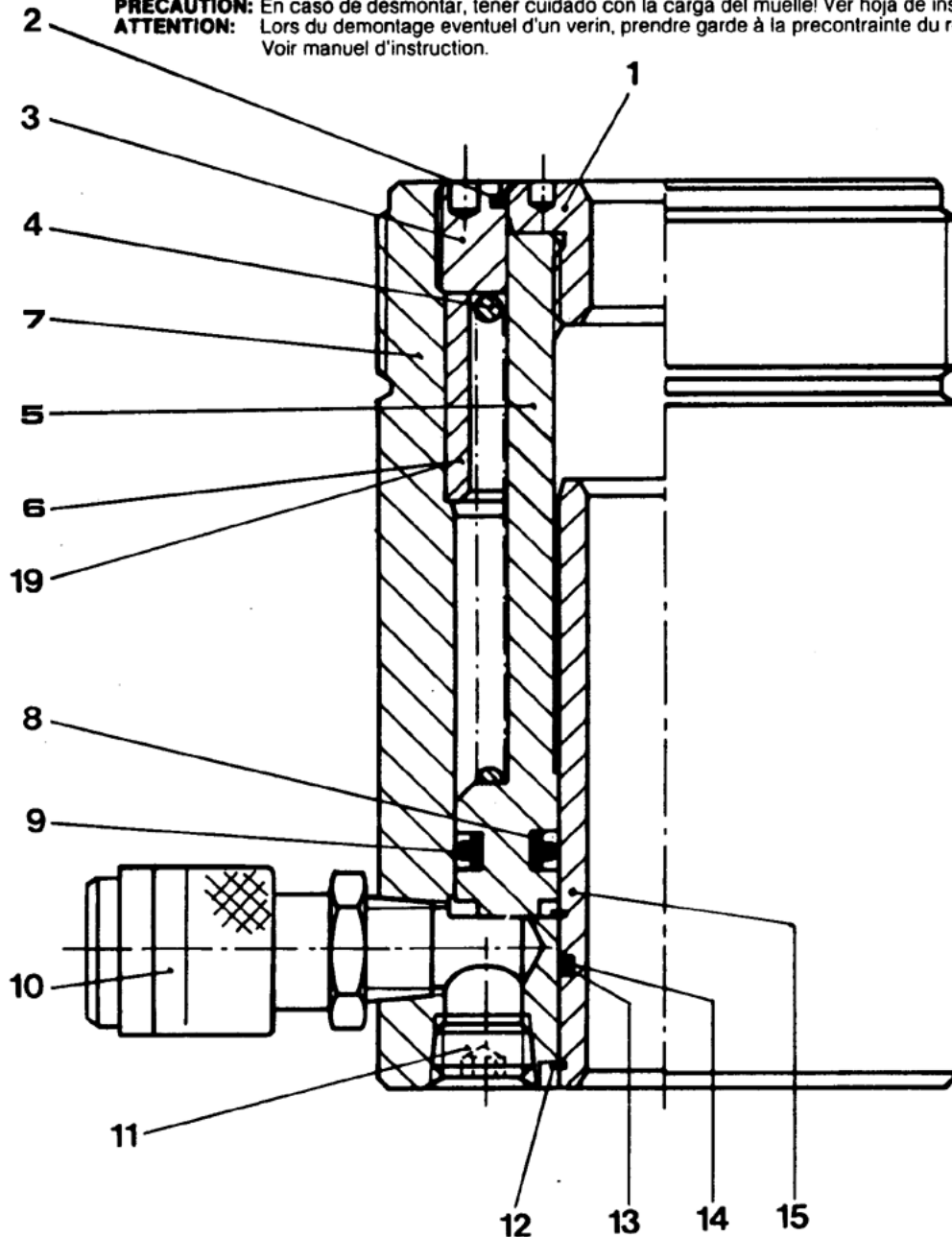


CAUTION: In case of disassembly, be aware of the springload! See Instruction Sheet.
ACHTUNG: Bei der Demontage die Federvorspannung beachten! Bitte lesen Sie die Bedienungsanleitung.
ATTENZIONE: In caso di smontaggio, controllare la forza della molla come da istruzioni!
PRECAUTION: En caso de desmontar, tener cuidado con la carga del muelle! Ver hoja de instrucciones.
ATTENTION: Lors du demontage eventuel d'un verin, prendre garde à la precontrainte du ressort!
 Voir manuel d'instruction.



TO PROTECT YOUR WARRANTY, USE ONLY **ENERPAC** HYDRAULIC OIL
 POUR PROTÉGER VOTRE GARANTIE, UTILISEZ EXCLUSIVEMENT L'HUILE HYDRAULIQUE **ENERPAC**
 UM IHRE GARANTIE ZU GEWÄHRLEISTEN, VERWENDEN SIE NUR **ENERPAC** HYDRAULIKÖL
 PER PROTEGGERE LA VOSTRA GARANZIA, USATE UNICAMENTE OLIO **ENERPAC**
 PARA PROTEGER SU GARANTIA, UTILICE EXCLUSIVAMENTE ACEITE HIDRÁULICO **ENERPAC**

No. Version	RWH-202 "B"	RCH-202 "B"	RCH-206 "B"	RWH-302 "B"	RCH-302 "B"	RCH-306 "B"	QTY	DESCRIPTION
1	CB 894.045	CB 894.045	CB 894.045	CF 698.045	CF 698.045	CF 698.045	1x	Hollow saddle
* 2	CA 304.044	CA 304.044	CA 304.044	CJ 50.044	CJ 50.044	CJ 50.044	1x	Wiperring
3	CJ 671.044	CJ 671.044	CJ 671.044	CR 671.044	CR 671.044	CR 671.044	1x	Stopping
4	CF 707.110	CF 707.110	BSS 5743 D	CH 259.110	CH 259.110	CR 514.110	1x	Spring
5	CB 883.040	CB 883.040	BSS 5746 D	CF 696.040	CF 696.040	CH 225.040	1x	Plunger
6	CJ 672.044	CJ 672.044	BSS 5744 D	CJ 674.044	CJ 674.044	CJ 675.044	1x	Stopping int.
7	CM 79.030	CM 79.030	BSS 6056 D	CL 573.030	CL 573.030	CM 82.030	1x	Cylinder
* 8	B 1325.514	B 1325.514	B 1325.514	B 1327.514	B 1327.514	B 1327.514	1x	GT-ring
* 9	B 1333.513	B 1333.513	B 1333.513	B 1338.513	B 1338.513	B 1338.513	1x	GT-ring
10	-	CR 400	CR 400	-	CR 400	CR 400	1x	Half coupler
11	A 1009.245	A 1009.245	A 1009.245	A 1009.245	A 1009.245	A 1009.245	1x	Plug
12	CCA	CCA	CCA	CCA	CCA	CCA		
	1029.044-3A	1029.044-3A	1029.044-3A	1033.044-3A	1033.044-3A	1033.044-3A	2x	Circlip
*13	B 1218.564	B 1218.564	B 1218.564	B 1222.564	B 1222.564	B 1222.564	1x	Back-up ring
*14	B 1218.803	B 1218.803	B 1218.803	B 1222.803	B 1222.803	B 1222.803	1x	O-ring
15	CM 80.013	CM 80.013	BSS 6058 D	CM 430.013	CM 430.013	CM 82.013	1x	Plungerguide
-16	CJ 657.032	-	-	CJ 657.032	-	-	1x	Reducer
-17	A 8001.271	-	-	A 8001.271	-	-	1x	Plug
-18	G 424.026	G 424.026	G 424.026	G 424.026	G 424.026	G 424.026	1x	Decal
**19	BCH 509.900	BCH 509.900	BSS 5749 D	CH 511.900	CH 511.900	CH 227.900	1x	Cyl. assy
	RCH-202-K-1	RCH-202-K-1	RCH-202-K-1	RCH-302-K-1	RCH-302-K-1	RCH-302-K-1	1x	Repair kit. Contains parts marked with *

WHEN ORDERING SPARE PARTS, ALWAYS SPECIFY THE COMPLETE ROLLSTAMPNUMBER.

POUR TOUTE COMMANDE DE PIÈCES DETACHÉES, VEUILLEZ BIEN PRÉCISER LE NUMÉRO COMPLETE.

BEI BESTELLUNG ERSATZTEILE, BITTE KOMPLETTE PRODUKTODIERUNG ANGEBEN.

QUANDO ORDINATI EVENTUALI PARTI DI RICAMBIO, VOGLIATE INDICARE IL NUMERO.

CUANDO SOLICITE REPUESTOS, ESPECIFIQUE SIEMPRE EL NUMERO COMPLETO ESTAMPADO.

** Includes parts no. 7, 12, 13, 14, 15
- Not shown

No.	DESCRIPTION	BEZEICHNUNG	DESCRIZIONE	DESCRIPCIÓN
1	Tête	Druckstück	Testina	Caberal
* 2	Joint racleur	Abstreifring	Raschiafango	Rascacete
3	Bague	Stossring	Ghiera finecorsa	Aro de cierre
4	Ressort	Feder	Molla	Muelle
5	Piston	Kolben	Pistone	Embolo
6	Bague-guide	Innen Stossring	Ghiera finecorsa	Anillo reten
7	Cylindre	Zylinder	Corpo	Cilindro
* 8	GT-Manchette	GT-Dichtung	GT-Guarnizione	Junta en "GT"
* 9	GT-Manchette	GT-Dichtung	GT-Guarnizione	Junta en "GT"
10	Raccord femelle	Kupplungshälfte	Mezzo giunto	Racor
11	Bouchon	Stopfen	Tappo	Enchufe
12	Circlips	Sicherungsring	Anello di ritegno	Anillo de retención
*13	Joint d'appui	Stützring	Antifrizione	Anillo
*14	Joint torique	"O"-Ring	"O"-ring	Junta en "O"
15	Piston de guidage	Kolbenführung	Guida pistone	Giua embolo
-16	Adaptateur	Reductionsstopfen	Tappo di riduzione	Tapon de reducción
-17	Bouchon	Schraubenstopfen	Tappo	Tapon
-18	Etiquette	Typenschild	Decalcomania	Etiqueta
**19	Cylindre complet	Zylinder komplet	Cilindro completo	Cilindro completo
	Sachet de réparation. Contient les pièces repérées *	Ersatzteilpaket. Enthält Teile bezeichnet mit *	La serie di ricambi. Contiene tutte le voci contraddistinte dall' *	Juego de reparación. Contiene partes marcadas por estrella *
	** Contient les pièces no. 5, 7, 13, 14, 15, 16 - Non représentés	** Enthält Teile no. 5, 7, 13, 14, 15, 16 - Nicht abgebildet	** Contiene le voci no. 5, 7, 13, 14, 15, 16 - Non illustrato	** Contiene partes no. 5, 7, 13, 14, 15, 16 - No indicado

Enerpac Worldwide Locations

Africa

ENERPAC Middle East FZE
P.O. Box 18004
Jebel Ali, Dubai
United Arab Emirates
Tel: +971 (0)4 8872686
Fax: +971 (0)4 8872687

Australia

ENERPAC, Applied Power Australia Ltd.
Block V Unit 3, Regents Park Estate
391 Park Road
Regents Park NSW 2143
(P.O. Box 261) Australia
Tel: +61 297 438 988
Fax: +61 297 438 648

Brazil

Power Packer do Brasil Ltda.
Rua dos Inocentes, 587
04764-050 - Sao Paulo (SP)
Tel: +55 11 5687 2211
Fax: +55 11 5686 5583
Toll Free in Brazil:
Tel: 0800 891 5770
vendasbrasil@enerpac.com

Canada

Actuant Canada Corporation
6615 Ordan Drive, Unit 14-15
Mississauga, Ontario L5T 1X2
Tel: +1 905 564 5749
Fax: +1 905 564 0305
Toll Free:
Tel: +1 800 268 4987
Fax: +1 800 461 2456

Technical Inquiries:

techservices@enerpac.com

China

Actuant China Ltd.
1F, 269 Fute N. Road
Waigaoqiao Free Trade Zone
Pudong New District
Shanghai, 200 131 China
Tel: +86 21 5866 9099
Fax: +86 21 5866 7156

India

Actuant China Ltd. (Beijing)
709A Xin No. 2
Diyang Building
Dong San Huan North Rd.
Beijing City, 100028 China
Tel: +86 10 845 36166
Fax: +86 10 845 36220

Central and Eastern Europe

ENERPAC B.V.
Storkstraat 25
P.O. Box 269, 3900 AG Veenendaal
The Netherlands
Tel: +31 318 535 936
Fax: +31 318 535 951

France

ENERPAC Une division de
ACTUANT s.a.
B.P. 200
Parc d'Activités
du Moulin de Massy
F-91882 Massy CEDEX France
Tel: +33 1 601 368 68
Fax: +33 1 692 037 50

✦ e-mail: info@enerpac.com

Germany, Austria, Switzerland, Russia and CIS (excl. Caspian Sea Countries) ENERPAC Applied Power GmbH

P.O. Box 300113
D-40401 Düsseldorf
Germany
Tel: +49 211 471 490
Fax: +49 211 471 49 28

Italy

ENERPAC S.p.A.
Via Canova 4
20094 Corsico (Milano)
Tel: +39 02 4861 111
Fax: +39 02 4860 1288

Japan

Applied Power Japan Ltd.
1-1-11, Shimomae
Toda-shi
Saitama Pref.
Japan 335-0016
Tel: +81 484 30 1055
Fax: +81 484 30 1066

The Netherlands, Belgium, Luxembourg, Sweden, Denmark, Norway, Finland

ENERPAC B.V.
Storkstraat 25
P.O. Box 269, 3900 AG Veenendaal
The Netherlands
Tel: +31 318 535 911
Fax: +31 318 525 613
+31 318 535 848

Technical Inquiries Europe:

techsupport.europe@enerpac.com

Singapore

Enerpac Asia Pte. Ltd.
25 Serangoon North Ave. 5
#03-01 Keppel Dighub
Singapore 554914
Thomson Road
P.O. Box 114
Singapore 915704
Tel: +65 64 84 5108
+65 64 84 3737
Fax: +65 64 84 5669

Technical Inquiries:

chee@actuant.com.sg

South Korea

Actuant Korea Ltd.
3Ba 717, Shihwa Industrial
Complex, Jungwang-Dong,
Shihung-Shi, Kyunggi-Do
Republic of Korea 429-450
Tel: +82 31 434 4506
Fax: +82 31 434 4507

✦ internet: www.enerpac.com

Spain, Portugal

ENERPAC
C/San José Artesano 8
Pol. Ind.
28108 Alcobendas
(Madrid) Spain
Tel: +34 91 661 11 25
Fax: +34 91 661 47 89

Middle East, Turkey, Caspian Sea, Greece

ENERPAC Middle East FZE
P.O. Box 18004
Jebel Ali, Dubai
United Arab Emirates
Tel: +971 (0)4 8872686
Fax: +971 (0)4 8872687

United Kingdom, Ireland

ENERPAC Ltd., P.O. Box 33
New Romney, TN28 8QF
United Kingdom
Tel: +44 01797 363 639
Fax: +44 01527 585 500

USA, Latin America and Caribbean

ENERPAC
P.O. Box 3241
6100 N. Baker Road
Milwaukee, WI 53209 USA
Tel: +1 262 781 6600
Fax: +1 262 783 9562

User inquiries:

+1 800 433 2766

Distributor inquiries/orders:

+1 800 558 0530

Technical Inquiries:

techservices@enerpac.com