

▼ RSL Drive Units with interchangeable RLP Hexagon Cassette and RSQ Square Drive Cassette



## Setting New Standards in Safety, Simplicity and Performance

### Safety and Performance

- Innovative design that completely encloses all moving parts and minimizes pinch points
- 30-35° rotation angle provides added productivity while avoiding "tool lock-on" which is common with some torque wrench designs

### Simplicity

- Simple robust alloy steel design with just three moving parts for reduced maintenance
- Robust handles are available for both sides and the tops of cassettes to allow for extra maneuverability
- Designed to give optimum strength-to-weight and torque-to-weight ratios
- Minimum nose radius for trouble-free tool fit

### Versatility

- Interchangeable cassette design
- Wide range of hexagon sizes available for all applications
- Reaction arm has a simple dial lock for rapid change
- For use in multiple industrial, energy, and oil and gas applications

### Accuracy

- Constant torque output provides accuracy of +/-3% across full stroke



#### RLP-Series, Low-Profile Hexagon Cassettes

For metric and imperial hexagon cassettes see pages 264-268.

Page: 264



#### RSQ-Series, Square-Drive Heads

RSQ Square Drive Heads are interchangeable with the RLP Hexagon Cassettes for the same size RSL Drive Unit.

Page: 272



#### Back-Up Spanner

To be used to stop back nut from turning during make up or break out. Two hex sizes in one tool.

Page: 245



#### Torque Wrench Pumps

Visit [enerpac.com](http://enerpac.com) for system-matched air and electric torque wrench pumps that are ideal for use with hydraulic torque wrenches.

Page: 291



#### Torque Wrench Hoses

Use Enerpac THQ700 Series hoses with RSL-Series torque wrenches to ensure the integrity of your hydraulic system.

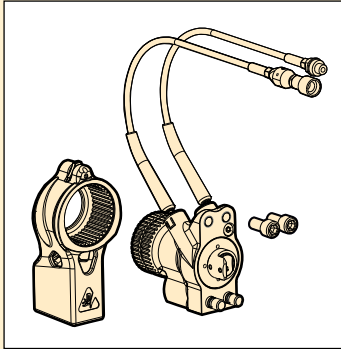
|                         |                |
|-------------------------|----------------|
| 6 feet long, 2 hoses    | <b>THQ702T</b> |
| 19.5 feet long, 2 hoses | <b>THQ706T</b> |
| 39 feet long, 2 hoses   | <b>THQ712T</b> |

# Drive Units for Hexagon & Square Drive Cassettes

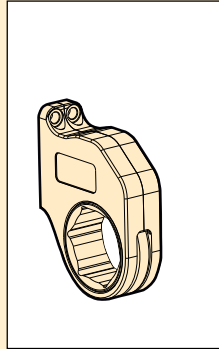


## One Drive, Two Tools

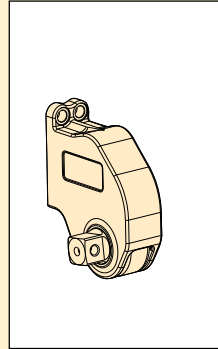
One RSL-Hydraulic Drive Unit fits RLP-Hexagon Cassette or RSQ-Square Drive Head.



RSL



RLP... / RLP...SL



RSQ

## RSL Series



Maximum Torque Output:

**1408 - 28,002 Ft-lbs**

Hexagon Range:

**7/8 - 6 1/8 inches**

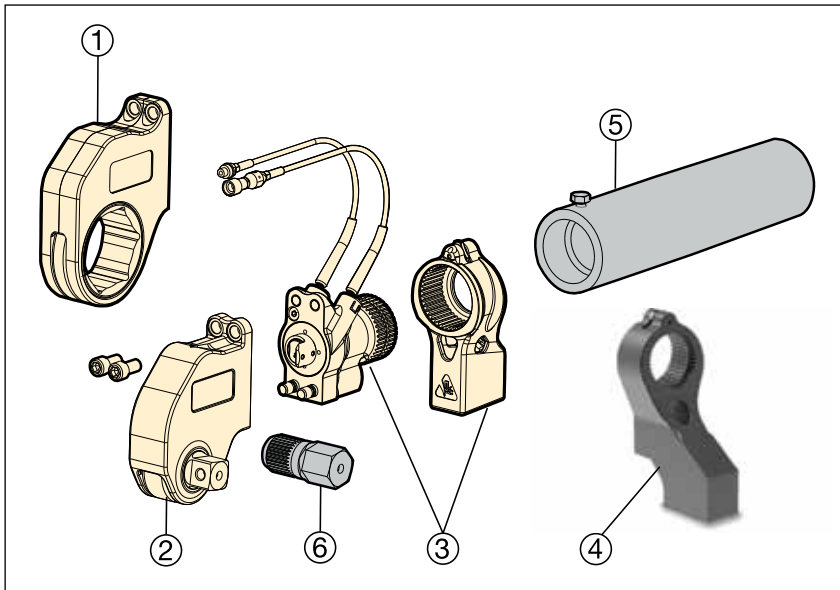
Hexagon Range:

**27 - 155 mm**

Maximum Operating Pressure:

**10,000 psi**

## ▼ TORQUE WRENCH OPTIONS AND ACCESSORIES



- ① **RLP-Hexagon Cassette** (pages 264-268)  
**RLP-SL-Slimline Hexagon Cassette** (pages 270-271)
- ② **RSQ-Square Drive Cassette** (pages 272-273)
- ③ **RSL-Drive Unit and Reaction Arm** (page 263)

### Optional Parts (page 269)

- ④ **ERA-Extended Reaction Arm**, for RSQ only
- ⑤ **ERT-Extended Reaction Tube**, for RLP only

### Optional Parts (only available per request)

- ⑥ **Hexagon Bit**

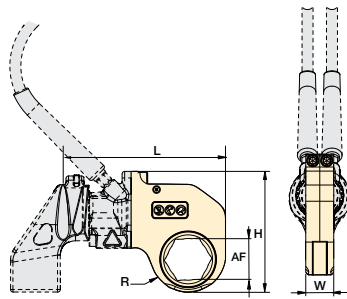
## ▼ SELECTION CHART

| Hexagon Cassette Range (A/F)<br>(see pages 264 - 268 for sizes and model numbers) |          | Maximum Torque Output at 10,000 psi |        | Drive Unit Model Number | Minimum Torque Output at 1000 psi |      |      |
|---|----------|-------------------------------------|--------|-------------------------|-----------------------------------|------|------|
| (inch)  | (mm)     | (Ft.lbs)                            | (Nm)   |                         | (Ft.lbs)                          | (Nm) |      |
| 7/8 - 2 3/8   | 27 - 60  | 1408                                | 1909   | <b>RSL1500</b>          | 141                               | 191  | 3.4  |
| 1 5/16 - 2 15/16  | 33 - 75  | 3080                                | 4176   | <b>RSL3000</b>          | 308                               | 417  | 5.6  |
| 1 11/16 - 3 1/8   | 46 - 80  | 5303                                | 7190   | <b>RSL5000</b>          | 530                               | 719  | 8.9  |
| 2 3/8 - 3 1/8   | 60 - 80  | 7862                                | 10,659 | <b>RSL8000</b>          | 786                               | 1066 | 10.6 |
| 2 7/16 - 4 5/8  | 62 - 110 | 11,154                              | 15,123 | <b>RSL11000</b>         | 1115                              | 1512 | 11.6 |
| 2 15/16 - 4 5/8   | 75 - 115 | 18,843                              | 25,547 | <b>RSL19000</b>         | 1884                              | 2554 | 20.0 |
| 3 1/8 - 6 1/8   | 80 - 155 | 28,002                              | 37,965 | <b>RSL28000</b>         | 2800                              | 3796 | 22.0 |



## Bolting Integrity Software

Enerpac Bolting Integrity Software Solutions play a key role in implementing and managing an Integrity Program for bolted connections. The software offers Tool selection, Bolt Load calculations and Tool pressure settings, as well as, a combined Application Data Sheet and Joint Completion Report. Custom Joint information can also be entered.



Hexagon Range:  
**7/8 - 6 1/8 inches**

Hexagon Range:  
**27 - 155 mm**

Maximum Operating Pressure:  
**10,000 psi**

**RSL  
Series**



▼ SELECTION CHART

| Drive Unit Model Number | Hexagon Size A/F |         | Hexagon Cassette Model Number | Maximum Torque Output |      | Dimensions (in) |      |      |      | Wt. (lbs) | Dimensions (mm) |       |       |       | Wt. (kg) |
|-------------------------|------------------|---------|-------------------------------|-----------------------|------|-----------------|------|------|------|-----------|-----------------|-------|-------|-------|----------|
|                         | (in)             | (mm)    |                               | (ft-lbs)              | (Nm) | R               | L    | W    | H    |           | R               | L     | W     | H     |          |
| RSL1500                 | 7/8              | -       | RLP1014                       | 320                   | 434  | 0.79            | 6.00 | 1.25 | 4.33 | 2.2       | 20,1            | 152,4 | 31,8  | 110,0 | 1,0      |
|                         | 1 1/16           | 27      | RLP1101                       | 640                   | 868  | 0.95            | 6.05 | 1.25 | 4.50 | 2.2       | 24,1            | 153,7 | 31,8  | 114,3 | 1,0      |
|                         | 1 1/8            | -       | RLP1102                       | 640                   | 868  | 1.03            | 6.12 | 1.25 | 4.57 | 2.3       | 26,2            | 155,4 | 31,8  | 116,1 | 1,0      |
|                         | 1 3/16           | 30      | RLP1103                       | 640                   | 868  | 1.03            | 6.12 | 1.25 | 4.57 | 2.3       | 26,2            | 155,4 | 31,8  | 116,1 | 1,0      |
|                         | 1 1/4            | 32      | RLP1104                       | 640                   | 868  | 1.03            | 6.12 | 1.25 | 4.57 | 2.3       | 26,2            | 155,4 | 31,8  | 116,1 | 1,0      |
|                         | 1 5/16           | 33      | RLP1105                       | 900                   | 1220 | 1.15            | 6.24 | 1.25 | 4.69 | 2.4       | 29,2            | 158,5 | 31,8  | 119,1 | 1,1      |
|                         | 1 3/8            | 35      | RLP1106                       | 900                   | 1220 | 1.15            | 6.24 | 1.25 | 4.69 | 2.4       | 29,2            | 158,5 | 31,8  | 119,1 | 1,1      |
|                         | 1 7/16           | 36      | RLP1107                       | 900                   | 1220 | 1.15            | 6.24 | 1.25 | 4.69 | 2.4       | 29,2            | 158,5 | 31,8  | 119,1 | 1,1      |
|                         | 1 1/2            | 38      | RLP1108                       | 1408                  | 1909 | 1.31            | 6.41 | 1.25 | 4.86 | 2.7       | 33,3            | 162,8 | 31,8  | 123,4 | 1,2      |
|                         | 1 9/16           | -       | RLP1109                       | 1408                  | 1909 | 1.31            | 6.41 | 1.25 | 4.86 | 2.7       | 33,3            | 162,8 | 31,8  | 123,4 | 1,2      |
|                         | 1 5/8            | 41      | RLP1110                       | 1408                  | 1909 | 1.31            | 6.41 | 1.25 | 4.86 | 2.7       | 33,3            | 162,8 | 31,8  | 123,4 | 1,2      |
|                         | 1 11/16          | -       | RLP1111                       | 1408                  | 1909 | 1.40            | 6.49 | 1.25 | 4.94 | 2.7       | 35,6            | 164,8 | 31,8  | 125,5 | 1,2      |
|                         | 1 3/4            | -       | RLP1112                       | 1408                  | 1909 | 1.40            | 6.49 | 1.25 | 4.94 | 2.7       | 35,6            | 164,8 | 31,8  | 125,5 | 1,2      |
|                         | 1 13/16          | 46      | RLP1113                       | 1408                  | 1909 | 1.40            | 6.49 | 1.25 | 4.94 | 2.7       | 35,6            | 164,8 | 31,8  | 125,5 | 1,2      |
|                         | 1 7/8            | -       | RLP1114                       | 1408                  | 1909 | 1.48            | 6.58 | 1.25 | 5.03 | 2.7       | 37,6            | 167,1 | 31,8  | 127,8 | 1,2      |
|                         | 1 15/16          | -       | RLP1115                       | 1408                  | 1909 | 1.48            | 6.58 | 1.25 | 5.03 | 2.7       | 37,6            | 167,1 | 31,8  | 127,8 | 1,2      |
|                         | 2                | 50      | RLP1200                       | 1408                  | 1909 | 1.48            | 6.58 | 1.25 | 5.03 | 2.7       | 37,6            | 167,1 | 31,8  | 127,8 | 1,2      |
|                         | 2 1/16           | -       | RLP1201                       | 1408                  | 1909 | 1.58            | 6.68 | 1.25 | 5.13 | 2.7       | 40,1            | 169,7 | 31,8  | 130,3 | 1,2      |
|                         | 2 1/8            | -       | RLP1202                       | 1408                  | 1909 | 1.58            | 6.68 | 1.25 | 5.13 | 2.7       | 40,1            | 169,7 | 31,8  | 130,3 | 1,2      |
|                         | 2 3/16           | 55      | RLP1203                       | 1408                  | 1909 | 1.58            | 6.68 | 1.25 | 5.13 | 2.7       | 40,1            | 169,7 | 31,8  | 130,3 | 1,2      |
| 2 1/4                   | -                | RLP1204 | 1408                          | 1909                  | 1.70 | 6.79            | 1.25 | 5.24 | 2.8  | 43,2      | 172,5           | 31,8  | 133,1 | 1,3   |          |
| 2 5/16                  | -                | RLP1205 | 1408                          | 1909                  | 1.70 | 6.79            | 1.25 | 5.24 | 2.8  | 43,2      | 172,5           | 31,8  | 133,1 | 1,3   |          |
| 2 3/8                   | 60               | RLP1206 | 1408                          | 1909                  | 1.70 | 6.79            | 1.25 | 5.24 | 2.8  | 43,2      | 172,5           | 31,8  | 133,1 | 1,3   |          |
| RSL3000                 | 1 5/16           | 33      | RLP3105                       | 900                   | 1220 | 1.18            | 7.62 | 1.38 | 5.49 | 3.5       | 30,0            | 193,5 | 35,1  | 139,4 | 1,6      |
|                         | 1 3/8            | 35      | RLP3106                       | 900                   | 1220 | 1.18            | 7.62 | 1.38 | 5.49 | 3.5       | 30,0            | 193,5 | 35,1  | 139,4 | 1,6      |
|                         | 1 7/16           | 36      | RLP3107                       | 900                   | 1220 | 1.18            | 7.62 | 1.38 | 5.49 | 3.5       | 30,0            | 193,5 | 35,1  | 139,4 | 1,6      |
|                         | 1 1/2            | 38      | RLP3108                       | 1200                  | 1627 | 1.32            | 7.77 | 1.38 | 5.63 | 3.9       | 33,5            | 197,4 | 35,1  | 143,0 | 1,8      |
|                         | 1 9/16           | -       | RLP3109                       | 1200                  | 1627 | 1.32            | 7.77 | 1.38 | 5.63 | 3.9       | 33,5            | 197,4 | 35,1  | 143,0 | 1,8      |
|                         | 1 5/8            | 41      | RLP3110                       | 1200                  | 1627 | 1.32            | 7.77 | 1.38 | 5.63 | 3.9       | 33,5            | 197,4 | 35,1  | 143,0 | 1,8      |
|                         | 1 11/16          | -       | RLP3111                       | 1900                  | 2576 | 1.47            | 7.87 | 1.38 | 5.78 | 4.0       | 37,3            | 199,9 | 35,1  | 146,8 | 1,8      |
|                         | 1 3/4            | -       | RLP3112                       | 1900                  | 2576 | 1.47            | 7.87 | 1.38 | 5.78 | 4.0       | 37,3            | 199,9 | 35,1  | 146,8 | 1,8      |
|                         | 1 13/16          | 46      | RLP3113                       | 1900                  | 2576 | 1.47            | 7.87 | 1.38 | 5.78 | 4.0       | 37,3            | 199,9 | 35,1  | 146,8 | 1,8      |
|                         | 1 7/8            | -       | RLP3114                       | 2600                  | 3526 | 1.60            | 8.04 | 1.38 | 5.92 | 4.5       | 40,6            | 204,2 | 35,1  | 150,4 | 2,0      |
|                         | 1 15/16          | -       | RLP3115                       | 2600                  | 3526 | 1.60            | 8.04 | 1.38 | 5.92 | 4.5       | 40,6            | 204,2 | 35,1  | 150,4 | 2,0      |
|                         | 2                | 50      | RLP3200                       | 2600                  | 3526 | 1.60            | 8.04 | 1.38 | 5.92 | 4.5       | 40,6            | 204,2 | 35,1  | 150,4 | 2,0      |
|                         | 2 1/16           | -       | RLP3201                       | 3080                  | 4176 | 1.76            | 8.16 | 1.38 | 6.08 | 4.7       | 44,7            | 207,3 | 35,1  | 154,4 | 2,1      |
|                         | 2 1/8            | -       | RLP3202                       | 3080                  | 4176 | 1.76            | 8.16 | 1.38 | 6.08 | 4.7       | 44,7            | 207,3 | 35,1  | 154,4 | 2,1      |
|                         | 2 3/16           | 55      | RLP3203                       | 3080                  | 4176 | 1.76            | 8.16 | 1.38 | 6.08 | 4.7       | 44,7            | 207,3 | 35,1  | 154,4 | 2,1      |
|                         | 2 1/4            | -       | RLP3204                       | 3080                  | 4176 | 1.84            | 8.25 | 1.38 | 6.15 | 4.8       | 46,7            | 209,6 | 35,1  | 156,2 | 2,2      |
|                         | 2 5/16           | -       | RLP3205                       | 3080                  | 4176 | 1.84            | 8.25 | 1.38 | 6.15 | 4.8       | 46,7            | 209,6 | 35,1  | 156,2 | 2,2      |
|                         | 2 3/8            | 60      | RLP3206                       | 3080                  | 4176 | 1.84            | 8.25 | 1.38 | 6.15 | 4.8       | 46,7            | 209,6 | 35,1  | 156,2 | 2,2      |
|                         | 2 7/16           | 62      | RLP3207                       | 3080                  | 4176 | 1.95            | 8.14 | 1.38 | 6.26 | 4.6       | 49,5            | 206,8 | 35,1  | 159,0 | 2,1      |
|                         | 2 1/2            | 63      | RLP3208                       | 3080                  | 4176 | 1.95            | 8.14 | 1.38 | 6.26 | 4.6       | 49,5            | 206,8 | 35,1  | 159,0 | 2,1      |
|                         | 2 9/16           | 65      | RLP3209                       | 3080                  | 4176 | 1.95            | 8.14 | 1.38 | 6.26 | 4.6       | 49,5            | 206,8 | 35,1  | 159,0 | 2,1      |
|                         | 2 5/8            | -       | RLP3210                       | 3080                  | 4176 | 2.04            | 8.23 | 1.38 | 6.36 | 4.4       | 51,8            | 209,0 | 35,1  | 161,5 | 2,0      |
|                         | 2 11/16          | -       | RLP3211                       | 3080                  | 4176 | 2.04            | 8.23 | 1.38 | 6.36 | 4.4       | 51,8            | 209,0 | 35,1  | 161,5 | 2,0      |
|                         | 2 3/4            | 70      | RLP3212                       | 3080                  | 4176 | 2.04            | 8.23 | 1.38 | 6.36 | 4.4       | 51,8            | 209,0 | 35,1  | 161,5 | 2,0      |
|                         | 2 13/16          | -       | RLP3213                       | 3080                  | 4176 | 2.16            | 8.34 | 1.38 | 6.54 | 4.7       | 54,9            | 211,8 | 35,1  | 166,1 | 2,1      |
| 2 7/8                   | -                | RLP3214 | 3080                          | 4176                  | 2.16 | 8.34            | 1.38 | 6.54 | 4.7  | 54,9      | 211,8           | 35,1  | 166,1 | 2,1   |          |
| 2 15/16                 | 75               | RLP3215 | 3080                          | 4176                  | 2.16 | 8.34            | 1.38 | 6.54 | 4.7  | 54,9      | 211,8           | 35,1  | 166,1 | 2,1   |          |

# Hexagon Cassettes for RSL-Series



## Enerpac's Bolting Integrity Software Solutions

play a key role in implementing and managing an Integrity Program for bolted connections. Our Bolting Software Suite includes **BoltUp** (free, online calculator providing reliable, repeatable bolt loads), **Informate** (bolt load calculation software for huge range of flanged joints and clamped connections), and **Integrity Data Management System/iDMS** (flexible data management and activity-planning system for use on assets featuring bolted connections).

Contact Enerpac for more information.

Page: 416

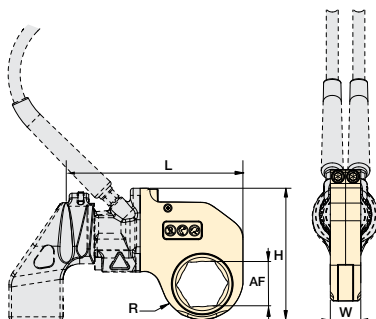


## Slimline Hexagon Cassettes

For accessing narrow spaces RLP...SL Stepped-Width

Hexagon Cassettes are available. Slimline cassettes use same drive unit as standard RLP-cassettes.

270



## RSL Series



Hexagon Range:

**7/8 - 6 1/8 inches**

Hexagon Range:

**27 - 155 mm**

Maximum Operating Pressure:

**10,000 psi**

### SELECTION CHART

| Drive Unit Model Number | Hexagon Size A/F |         | Hexagon Cassette Model Number | Maximum Torque Output |        | Dimensions (in) |      |      |      | Wt. (lbs) | Dimensions (mm) |       |       |       | Wt. (kg) |
|-------------------------|------------------|---------|-------------------------------|-----------------------|--------|-----------------|------|------|------|-----------|-----------------|-------|-------|-------|----------|
|                         | (in)             | (mm)    |                               | (ft-lbs)              | (Nm)   | R               | L    | W    | H    |           | R               | L     | W     | H     |          |
| RSL5000                 | 1 1/16           | -       | RLP5111                       | 2600                  | 3526   | 1.61            | 9.08 | 1.75 | 6.52 | 6.6       | 40,9            | 230,6 | 44,5  | 165,6 | 3,0      |
|                         | 1 3/4            | -       | RLP5112                       | 2600                  | 3526   | 1.61            | 9.08 | 1.75 | 6.52 | 6.6       | 40,9            | 230,6 | 44,5  | 165,6 | 3,0      |
|                         | 1 3/16           | 46      | RLP5113                       | 2600                  | 3526   | 1.61            | 9.08 | 1.75 | 6.52 | 6.6       | 40,9            | 230,6 | 44,5  | 165,6 | 3,0      |
|                         | 1 7/8            | -       | RLP5114                       | 2600                  | 3526   | 1.61            | 9.08 | 1.75 | 6.52 | 6.6       | 40,9            | 230,6 | 44,5  | 165,6 | 3,0      |
|                         | 1 5/16           | -       | RLP5115                       | 2600                  | 3526   | 1.61            | 9.08 | 1.75 | 6.52 | 6.6       | 40,9            | 230,6 | 44,5  | 165,6 | 3,0      |
|                         | 2                | 50      | RLP5200                       | 2600                  | 3526   | 1.61            | 9.08 | 1.75 | 6.52 | 6.6       | 40,9            | 230,6 | 44,5  | 165,6 | 3,0      |
|                         | 2 1/16           | -       | RLP5201                       | 3500                  | 4746   | 1.71            | 9.18 | 1.75 | 6.62 | 6.5       | 43,4            | 233,2 | 44,5  | 168,1 | 2,9      |
|                         | 2 1/8            | -       | RLP5202                       | 3500                  | 4746   | 1.71            | 9.18 | 1.75 | 6.62 | 6.5       | 43,4            | 233,2 | 44,5  | 168,1 | 2,9      |
|                         | 2 3/16           | 55      | RLP5203                       | 3500                  | 4746   | 1.71            | 9.18 | 1.75 | 6.62 | 6.5       | 43,4            | 233,2 | 44,5  | 168,1 | 2,9      |
|                         | 2 1/4            | -       | RLP5204                       | 4500                  | 6102   | 1.87            | 9.34 | 1.75 | 6.78 | 7.0       | 47,5            | 237,2 | 44,5  | 172,2 | 3,2      |
|                         | 2 5/16           | -       | RLP5205                       | 4500                  | 6102   | 1.87            | 9.34 | 1.75 | 6.78 | 7.0       | 47,5            | 237,2 | 44,5  | 172,2 | 3,2      |
|                         | 2 3/8            | 60      | RLP5206                       | 4500                  | 6102   | 1.87            | 9.34 | 1.75 | 6.78 | 7.0       | 47,5            | 237,2 | 44,5  | 172,2 | 3,2      |
|                         | 2 7/16           | 62      | RLP5207                       | 5303                  | 7191   | 2.01            | 9.48 | 1.75 | 6.92 | 7.0       | 51,1            | 240,8 | 44,5  | 175,8 | 3,2      |
|                         | 2 1/2            | 63      | RLP5208                       | 5303                  | 7191   | 2.01            | 9.48 | 1.75 | 6.92 | 7.0       | 51,1            | 240,8 | 44,5  | 175,8 | 3,2      |
|                         | 2 9/16           | 65      | RLP5209                       | 5303                  | 7191   | 2.01            | 9.48 | 1.75 | 6.92 | 7.0       | 51,1            | 240,8 | 44,5  | 175,8 | 3,2      |
|                         | 2 5/8            | -       | RLP5210                       | 5303                  | 7191   | 2.16            | 9.63 | 1.75 | 7.07 | 7.5       | 54,9            | 244,6 | 44,5  | 179,6 | 3,4      |
|                         | 2 1 1/16         | -       | RLP5211                       | 5303                  | 7191   | 2.16            | 9.63 | 1.75 | 7.07 | 7.5       | 54,9            | 244,6 | 44,5  | 179,6 | 3,4      |
|                         | 2 3/4            | 70      | RLP5212                       | 5303                  | 7191   | 2.16            | 9.63 | 1.75 | 7.07 | 7.5       | 54,9            | 244,6 | 44,5  | 179,6 | 3,4      |
|                         | 2 13/16          | -       | RLP5213                       | 5303                  | 7191   | 2.24            | 9.71 | 1.75 | 7.15 | 7.5       | 56,9            | 246,6 | 44,5  | 181,6 | 3,4      |
|                         | 2 7/8            | -       | RLP5214                       | 5303                  | 7191   | 2.24            | 9.71 | 1.75 | 7.15 | 7.5       | 56,9            | 246,6 | 44,5  | 181,6 | 3,4      |
| 2 15/16                 | 75               | RLP5215 | 5303                          | 7191                  | 2.24   | 9.71            | 1.75 | 7.15 | 7.5  | 56,9      | 246,6           | 44,5  | 181,6 | 3,4   |          |
| 3                       | -                | RLP5300 | 5303                          | 7191                  | 2.26   | 9.73            | 1.75 | 7.17 | 7.2  | 57,4      | 247,1           | 44,5  | 182,1 | 3,3   |          |
| 3 1/16                  | -                | RLP5301 | 5303                          | 7191                  | 2.26   | 9.73            | 1.75 | 7.17 | 7.2  | 57,4      | 247,1           | 44,5  | 182,1 | 3,3   |          |
| 3 1/8                   | 80               | RLP5302 | 5303                          | 7191                  | 2.26   | 9.73            | 1.75 | 7.17 | 7.2  | 57,4      | 247,1           | 44,5  | 182,1 | 3,3   |          |
| RSL8000                 | 2 3/8            | 60      | RLP8206                       | 4500                  | 6102   | 1.87            | 9.53 | 2.25 | 7.00 | 8.9       | 47,5            | 242,1 | 57,2  | 177,8 | 4,0      |
|                         | 2 7/16           | 62      | RLP8207                       | 5800                  | 7865   | 2.01            | 9.67 | 2.25 | 7.13 | 9.0       | 51,1            | 245,6 | 57,2  | 181,1 | 4,1      |
|                         | 2 1/2            | 63      | RLP8208                       | 5800                  | 7865   | 2.01            | 9.67 | 2.25 | 7.13 | 9.0       | 51,1            | 245,6 | 57,2  | 181,1 | 4,1      |
|                         | 2 9/16           | 65      | RLP8209                       | 5800                  | 7865   | 2.01            | 9.67 | 2.25 | 7.13 | 9.0       | 51,1            | 245,6 | 57,2  | 181,1 | 4,1      |
|                         | 2 5/8            | -       | RLP8210                       | 7862                  | 10.661 | 2.16            | 9.82 | 2.25 | 7.28 | 9.6       | 54,9            | 249,4 | 57,2  | 184,9 | 4,4      |
|                         | 2 1 1/16         | -       | RLP8211                       | 7862                  | 10.661 | 2.16            | 9.82 | 2.25 | 7.28 | 9.6       | 54,9            | 249,4 | 57,2  | 184,9 | 4,4      |
|                         | 2 3/4            | 70      | RLP8212                       | 7862                  | 10.661 | 2.16            | 9.82 | 2.25 | 7.28 | 9.6       | 54,9            | 249,4 | 57,2  | 184,9 | 4,4      |
|                         | 2 13/16          | -       | RLP8213                       | 7862                  | 10.661 | 2.24            | 9.90 | 2.25 | 7.38 | 9.6       | 56,9            | 251,5 | 57,2  | 187,5 | 4,4      |
|                         | 2 7/8            | -       | RLP8214                       | 7862                  | 10.661 | 2.24            | 9.90 | 2.25 | 7.38 | 9.6       | 56,9            | 251,5 | 57,2  | 187,5 | 4,4      |
|                         | 2 15/16          | 75      | RLP8215                       | 7862                  | 10.661 | 2.24            | 9.90 | 2.25 | 7.38 | 9.6       | 56,9            | 251,5 | 57,2  | 187,5 | 4,4      |
|                         | 3                | -       | RLP8300                       | 7862                  | 10.661 | 2.26            | 9.92 | 2.25 | 7.39 | 9.3       | 57,4            | 252,0 | 57,2  | 187,7 | 4,2      |
|                         | 3 1/16           | -       | RLP8301                       | 7862                  | 10.661 | 2.26            | 9.92 | 2.25 | 7.39 | 9.3       | 57,4            | 252,0 | 57,2  | 187,7 | 4,2      |
|                         | 3 1/8            | 80      | RLP8302                       | 7862                  | 10.661 | 2.26            | 9.92 | 2.25 | 7.39 | 9.3       | 57,4            | 252,0 | 57,2  | 187,7 | 4,2      |

## RSL Series



Hexagon Range:

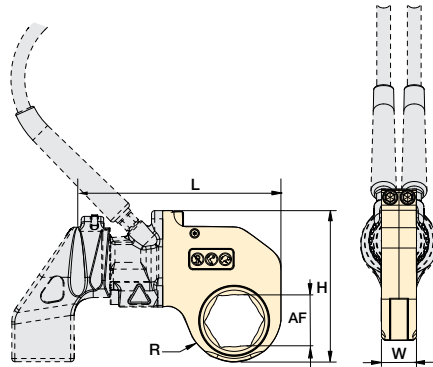
**7/8 - 6 1/8 inches**

Hexagon Range:

**27 - 155 mm**

Maximum Operating Pressure:

**10,000 psi**



### ▼ SELECTION CHART

| Drive Unit Model Number | Hexagon Size A/F |          | Hexagon Cassette Model Number | Maximum Torque Output |        | Dimensions (in) |       |      |      | Wt.   | Dimensions (mm) |       |       |       | Wt.  |
|-------------------------|------------------|----------|-------------------------------|-----------------------|--------|-----------------|-------|------|------|-------|-----------------|-------|-------|-------|------|
|                         | (in)             | (mm)     |                               | (ft-lbs)              | (Nm)   | R               | L     | W    | H    | (lbs) | R               | L     | W     | H     | (kg) |
| RSL11000                | 2 7/16           | 62       | RLP11207                      | 5800                  | 7865   | 1.98            | 10.00 | 2.50 | 8.03 | 14.2  | 50,3            | 254,0 | 63,5  | 204,0 | 6,4  |
|                         | 2 1/2            | -        | RLP11208                      | 5800                  | 7865   | 1.98            | 10.00 | 2.50 | 8.03 | 14.2  | 50,3            | 254,0 | 63,5  | 204,0 | 6,4  |
|                         | 2 9/16           | 65       | RLP11209                      | 5800                  | 7865   | 1.98            | 10.00 | 2.50 | 8.03 | 14.2  | 50,3            | 254,0 | 63,5  | 204,0 | 6,4  |
|                         | 2 5/8            | -        | RLP11210                      | 7300                  | 9899   | 2.19            | 11.20 | 2.50 | 8.23 | 14.8  | 55,6            | 284,5 | 63,5  | 209,0 | 6,7  |
|                         | 2 11/16          | -        | RLP11211                      | 7300                  | 9899   | 2.19            | 11.20 | 2.50 | 8.23 | 14.8  | 55,6            | 284,5 | 63,5  | 209,0 | 6,7  |
|                         | 2 3/4            | 70       | RLP11212                      | 7300                  | 9899   | 2.19            | 11.20 | 2.50 | 8.23 | 14.8  | 55,6            | 284,5 | 63,5  | 209,0 | 6,7  |
|                         | 2 13/16          | -        | RLP11213                      | 9000                  | 12.204 | 2.29            | 11.31 | 2.50 | 8.34 | 14.8  | 58,2            | 287,3 | 63,5  | 211,8 | 6,7  |
|                         | 2 7/8            | -        | RLP11214                      | 9000                  | 12.204 | 2.29            | 11.31 | 2.50 | 8.34 | 14.8  | 58,2            | 287,3 | 63,5  | 211,8 | 6,7  |
|                         | 2 15/16          | 75       | RLP11215                      | 9000                  | 12.204 | 2.29            | 11.31 | 2.50 | 8.34 | 14.8  | 58,2            | 287,3 | 63,5  | 211,8 | 6,7  |
|                         | 3                | -        | RLP11300                      | 11,154                | 15.125 | 2.43            | 11.44 | 2.50 | 8.47 | 15.2  | 61,7            | 290,6 | 63,5  | 215,1 | 6,9  |
|                         | 3 1/16           | -        | RLP11301                      | 11,154                | 15.125 | 2.43            | 11.44 | 2.50 | 8.47 | 15.2  | 61,7            | 290,6 | 63,5  | 215,1 | 6,9  |
|                         | 3 1/8            | 80       | RLP11302                      | 11,154                | 15.125 | 2.43            | 11.44 | 2.50 | 8.47 | 15.2  | 61,7            | 290,6 | 63,5  | 215,1 | 6,9  |
|                         | 3 3/16           | -        | RLP11303                      | 11,154                | 15.125 | 2.60            | 11.71 | 2.50 | 8.64 | 16.6  | 66,0            | 297,4 | 63,5  | 219,5 | 7,5  |
|                         | -                | 85       | RLP11085M                     | 11,154                | 15.125 | 2.60            | 11.71 | 2.50 | 8.64 | 16.6  | 66,0            | 297,4 | 63,5  | 219,5 | 7,5  |
|                         | 3 1/4            | -        | RLP11304                      | 11,154                | 15.125 | 2.60            | 11.71 | 2.50 | 8.64 | 16.6  | 66,0            | 297,4 | 63,5  | 219,5 | 7,5  |
|                         | 3 5/16           | -        | RLP11305                      | 11,154                | 15.125 | 2.60            | 11.71 | 2.50 | 8.64 | 16.6  | 66,0            | 297,4 | 63,5  | 219,5 | 7,5  |
|                         | 3 3/8            | -        | RLP11306                      | 11,154                | 15.125 | 2.60            | 11.71 | 2.50 | 8.64 | 16.6  | 66,0            | 297,4 | 63,5  | 219,5 | 7,5  |
|                         | 3 7/16           | -        | RLP11307                      | 11,154                | 15.125 | 2.60            | 11.71 | 2.50 | 8.64 | 16.6  | 66,0            | 297,4 | 63,5  | 219,5 | 7,5  |
|                         | 3 1/2            | -        | RLP11308                      | 11,154                | 15.125 | 2.60            | 11.71 | 2.50 | 8.64 | 16.6  | 66,0            | 297,4 | 63,5  | 219,5 | 7,5  |
|                         | -                | 90       | RLP11090M                     | 11,154                | 15.125 | 2.88            | 11.89 | 2.50 | 8.92 | 17.2  | 73,2            | 302,0 | 63,5  | 226,6 | 7,8  |
|                         | 3 9/16           | -        | RLP11309                      | 11,154                | 15.125 | 2.88            | 11.89 | 2.50 | 8.92 | 17.2  | 73,2            | 302,0 | 63,5  | 226,6 | 7,8  |
|                         | 3 5/8            | -        | RLP11310                      | 11,154                | 15.125 | 2.88            | 11.89 | 2.50 | 8.92 | 17.2  | 73,2            | 302,0 | 63,5  | 226,6 | 7,8  |
|                         | 3 11/16          | -        | RLP11311                      | 11,154                | 15.125 | 2.88            | 11.89 | 2.50 | 8.92 | 17.2  | 73,2            | 302,0 | 63,5  | 226,6 | 7,8  |
|                         | 3 3/4            | 95       | RLP11312                      | 11,154                | 15.125 | 2.88            | 11.89 | 2.50 | 8.92 | 17.2  | 73,2            | 302,0 | 63,5  | 226,6 | 7,8  |
|                         | 3 13/16          | -        | RLP11313                      | 11,154                | 15.125 | 2.88            | 11.89 | 2.50 | 8.92 | 17.2  | 73,2            | 302,0 | 63,5  | 226,6 | 7,8  |
|                         | 3 7/8            | -        | RLP11314                      | 11,154                | 15.125 | 2.88            | 11.89 | 2.50 | 8.92 | 17.2  | 73,2            | 302,0 | 63,5  | 226,6 | 7,8  |
|                         | 3 15/16          | 100      | RLP11315                      | 11,154                | 15.125 | 2.98            | 12.00 | 2.50 | 9.03 | 16.4  | 75,7            | 304,8 | 63,5  | 229,4 | 7,4  |
|                         | 4                | -        | RLP11400                      | 11,154                | 15.125 | 2.98            | 12.00 | 2.50 | 9.03 | 16.4  | 75,7            | 304,8 | 63,5  | 229,4 | 7,4  |
|                         | 4 1/16           | -        | RLP11401                      | 11,154                | 15.125 | 2.98            | 12.00 | 2.50 | 9.03 | 16.4  | 75,7            | 304,8 | 63,5  | 229,4 | 7,4  |
|                         | 4 1/8            | 105      | RLP11402                      | 11,154                | 15.125 | 2.98            | 12.00 | 2.50 | 9.03 | 16.4  | 75,7            | 304,8 | 63,5  | 229,4 | 7,4  |
|                         | 4 1/4            | -        | RLP11404                      | 11,154                | 15.125 | 2.98            | 12.00 | 2.50 | 9.03 | 16.4  | 75,7            | 304,8 | 63,5  | 229,4 | 7,4  |
|                         | 4 5/16           | 110      | RLP11405                      | 11,154                | 15.125 | 3.25            | 12.27 | 2.50 | 9.30 | 17.6  | 82,6            | 311,7 | 63,5  | 236,2 | 8,0  |
| 4 1/2                   | -                | RLP11408 | 11,154                        | 15.125                | 3.25   | 12.27           | 2.50  | 9.30 | 17.6 | 82,6  | 311,7           | 63,5  | 236,2 | 8,0   |      |
| 4 5/8                   | -                | RLP11410 | 11,154                        | 15.125                | 3.25   | 12.27           | 2.50  | 9.30 | 17.6 | 82,6  | 311,7           | 63,5  | 236,2 | 8,0   |      |

# Hexagon Cassettes for RSL-Series

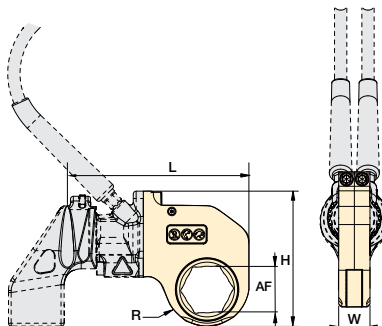


**Enerpac's Bolting Integrity Software Solutions** play a key role in implementing and managing an Integrity Program for bolted

connections. Our Bolting Software Suite includes **BoltUp** (free, online calculator providing reliable, repeatable bolt loads), **Informate** (bolt load calculation software for huge range of flanged joints and clamped connections), and **Integrity Data Management System/iDMS** (flexible data management and activity-planning system for use on assets featuring bolted connections).

Contact Enerpac for more information.

Page: 416



**RSL Series**



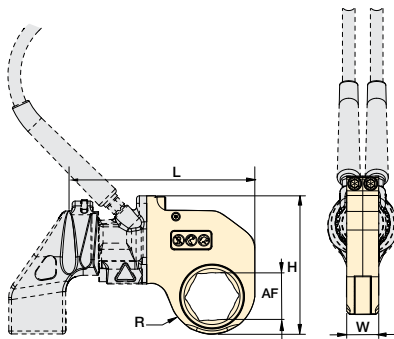
Hexagon Range:  
**7/8 - 6 1/8 inches**

Hexagon Range:  
**27 - 155 mm**

Maximum Operating Pressure:  
**10,000 psi**

## ▼ SELECTION CHART

| Drive Unit Model Number       | Hexagon Size A/F                |          | Hexagon Cassette Model Number | Maximum Torque Output |        | Dimensions (in) |       |       |       | Wt. (lbs) | Dimensions (mm) |       |       |       | Wt. (kg) |
|-------------------------------|---------------------------------|----------|-------------------------------|-----------------------|--------|-----------------|-------|-------|-------|-----------|-----------------|-------|-------|-------|----------|
|                               | (in)                            | (mm)     |                               | (ft-lbs)              | (Nm)   | R               | L     | W     | H     |           | R               | L     | W     | H     |          |
| RSL19000                      | 2 <sup>15</sup> / <sub>16</sub> | 75       | RLP19215                      | 11,000                | 14.916 | 2.45            | 12.72 | 2.75  | 9.44  | 21.5      | 62,2            | 323,1 | 69,9  | 239,8 | 9,8      |
|                               | 3                               | —        | RLP19300                      | 11,000                | 14.916 | 2.45            | 12.72 | 2.75  | 9.44  | 21.5      | 62,2            | 323,1 | 69,9  | 239,8 | 9,8      |
|                               | 3 <sup>1</sup> / <sub>16</sub>  | —        | RLP19301                      | 11,000                | 14.916 | 2.45            | 12.72 | 2.75  | 9.44  | 21.5      | 62,2            | 323,1 | 69,9  | 239,8 | 9,8      |
|                               | 3 <sup>1</sup> / <sub>8</sub>   | 80       | RLP19302                      | 11,000                | 14.916 | 2.45            | 12.72 | 2.75  | 9.44  | 21.5      | 62,2            | 323,1 | 69,9  | 239,8 | 9,8      |
|                               | 3 <sup>3</sup> / <sub>16</sub>  | —        | RLP19303                      | 16,000                | 21.696 | 2.77            | 13.04 | 2.75  | 9.76  | 22.6      | 70,4            | 331,2 | 69,9  | 247,9 | 10,3     |
|                               | —                               | 85       | RLP19085M                     | 16,000                | 21.696 | 2.77            | 13.04 | 2.75  | 9.76  | 22.6      | 70,4            | 331,2 | 69,9  | 247,9 | 10,3     |
|                               | 3 <sup>1</sup> / <sub>4</sub>   | —        | RLP19304                      | 16,000                | 21.696 | 2.77            | 13.04 | 2.75  | 9.76  | 22.6      | 70,4            | 331,2 | 69,9  | 247,9 | 10,3     |
|                               | 3 <sup>5</sup> / <sub>16</sub>  | —        | RLP19305                      | 16,000                | 21.696 | 2.77            | 13.04 | 2.75  | 9.76  | 22.6      | 70,4            | 331,2 | 69,9  | 247,9 | 10,3     |
|                               | 3 <sup>3</sup> / <sub>8</sub>   | —        | RLP19306                      | 16,000                | 21.696 | 2.77            | 13.04 | 2.75  | 9.76  | 22.6      | 70,4            | 331,2 | 69,9  | 247,9 | 10,3     |
|                               | 3 <sup>7</sup> / <sub>16</sub>  | —        | RLP19307                      | 16,000                | 21.696 | 2.77            | 13.04 | 2.75  | 9.76  | 22.6      | 70,4            | 331,2 | 69,9  | 247,9 | 10,3     |
|                               | 3 <sup>1</sup> / <sub>2</sub>   | —        | RLP19308                      | 16,000                | 21.696 | 2.77            | 13.04 | 2.75  | 9.76  | 22.6      | 70,4            | 331,2 | 69,9  | 247,9 | 10,3     |
|                               | —                               | 90       | RLP19090M                     | 18,843                | 25.551 | 2.95            | 13.22 | 2.75  | 9.94  | 23.8      | 74,9            | 335,8 | 69,9  | 252,5 | 10,8     |
|                               | 3 <sup>9</sup> / <sub>16</sub>  | —        | RLP19309                      | 18,843                | 25.551 | 2.95            | 13.22 | 2.75  | 9.94  | 23.8      | 74,9            | 335,8 | 69,9  | 252,5 | 10,8     |
|                               | 3 <sup>5</sup> / <sub>8</sub>   | —        | RLP19310                      | 18,843                | 25.551 | 2.95            | 13.22 | 2.75  | 9.94  | 23.8      | 74,9            | 335,8 | 69,9  | 252,5 | 10,8     |
|                               | 3 <sup>11</sup> / <sub>16</sub> | —        | RLP19311                      | 18,843                | 25.551 | 2.95            | 13.22 | 2.75  | 9.94  | 23.8      | 74,9            | 335,8 | 69,9  | 252,5 | 10,8     |
|                               | 3 <sup>3</sup> / <sub>4</sub>   | 95       | RLP19312                      | 18,843                | 25.551 | 2.95            | 13.22 | 2.75  | 9.94  | 23.8      | 74,9            | 335,8 | 69,9  | 252,5 | 10,8     |
|                               | 3 <sup>13</sup> / <sub>16</sub> | —        | RLP19313                      | 18,843                | 25.551 | 2.95            | 13.22 | 2.75  | 9.94  | 23.8      | 74,9            | 335,8 | 69,9  | 252,5 | 10,8     |
|                               | 3 <sup>7</sup> / <sub>8</sub>   | —        | RLP19314                      | 18,843                | 25.551 | 2.95            | 13.22 | 2.75  | 9.94  | 23.8      | 74,9            | 335,8 | 69,9  | 252,5 | 10,8     |
|                               | 3 <sup>15</sup> / <sub>16</sub> | 100      | RLP19315                      | 18,843                | 25.551 | 3.30            | 13.57 | 2.75  | 10.28 | 25.3      | 83,8            | 344,7 | 69,9  | 261,1 | 11,5     |
|                               | 4                               | —        | RLP19400                      | 18,843                | 25.551 | 3.30            | 13.57 | 2.75  | 10.28 | 25.3      | 83,8            | 344,7 | 69,9  | 261,1 | 11,5     |
|                               | 4 <sup>1</sup> / <sub>16</sub>  | —        | RLP19401                      | 18,843                | 25.551 | 3.30            | 13.57 | 2.75  | 10.28 | 25.3      | 83,8            | 344,7 | 69,9  | 261,1 | 11,5     |
|                               | 4 <sup>1</sup> / <sub>8</sub>   | 105      | RLP19402                      | 18,843                | 25.551 | 3.30            | 13.57 | 2.75  | 10.28 | 25.3      | 83,8            | 344,7 | 69,9  | 261,1 | 11,5     |
|                               | 4 <sup>3</sup> / <sub>16</sub>  | —        | RLP19403                      | 18,843                | 25.551 | 3.30            | 13.57 | 2.75  | 10.28 | 25.3      | 83,8            | 344,7 | 69,9  | 261,1 | 11,5     |
|                               | 4 <sup>1</sup> / <sub>4</sub>   | —        | RLP19404                      | 18,843                | 25.551 | 3.30            | 13.57 | 2.75  | 10.28 | 25.3      | 83,8            | 344,7 | 69,9  | 261,1 | 11,5     |
|                               | 4 <sup>5</sup> / <sub>16</sub>  | 110      | RLP19405                      | 18,843                | 25.551 | 3.44            | 13.71 | 2.75  | 10.43 | 25.6      | 87,4            | 348,2 | 69,9  | 264,9 | 11,6     |
|                               | 4 <sup>3</sup> / <sub>8</sub>   | —        | RLP19406                      | 18,843                | 25.551 | 3.44            | 13.71 | 2.75  | 10.43 | 25.6      | 87,4            | 348,2 | 69,9  | 264,9 | 11,6     |
|                               | 4 <sup>7</sup> / <sub>16</sub>  | —        | RLP19407                      | 18,843                | 25.551 | 3.44            | 13.71 | 2.75  | 10.43 | 25.6      | 87,4            | 348,2 | 69,9  | 264,9 | 11,6     |
|                               | 4 <sup>1</sup> / <sub>2</sub>   | —        | RLP19408                      | 18,843                | 25.551 | 3.44            | 13.71 | 2.75  | 10.43 | 25.6      | 87,4            | 348,2 | 69,9  | 264,9 | 11,6     |
|                               | —                               | 115      | RLP19115M                     | 18,843                | 25.551 | 3.44            | 13.71 | 2.75  | 10.43 | 25.6      | 87,4            | 348,2 | 69,9  | 264,9 | 11,6     |
|                               | 4 <sup>9</sup> / <sub>16</sub>  | —        | RLP19409                      | 18,843                | 25.551 | 3.44            | 13.71 | 2.75  | 10.43 | 25.6      | 87,4            | 348,2 | 69,9  | 264,9 | 11,6     |
| 4 <sup>5</sup> / <sub>8</sub> | —                               | RLP19410 | 18,843                        | 25.551                | 3.44   | 13.71           | 2.75  | 10.43 | 25.6  | 87,4      | 348,2           | 69,9  | 264,9 | 11,6  |          |



Hexagon Range:  
**7/8 - 6 1/8 inches**

Hexagon Range:  
**27 - 155 mm**

Maximum Operating Pressure:  
**10,000 psi**

**RSL  
Series**



▼ SELECTION CHART

| Drive Unit Model Number | Hexagon Size A/F |          | Hexagon Cassette Model Number | Maximum Torque Output |        | Dimensions (in) |       |       |       | Wt. (lbs) | Dimensions (mm) |       |       |       | Wt. (kg) |      |
|-------------------------|------------------|----------|-------------------------------|-----------------------|--------|-----------------|-------|-------|-------|-----------|-----------------|-------|-------|-------|----------|------|
|                         | (in)             | (mm)     |                               | (ft-lbs)              | (Nm)   | R               | L     | W     | H     |           | R               | L     | W     | H     |          |      |
| RSL28000                | 3 1/8            | 80       | RLP28302                      | 16,000                | 21.696 | 2.56            | 14.36 | 3.00  | 10.54 | 27.6      | 65,0            | 364,7 | 76,2  | 267,7 | 12,5     |      |
|                         | 3 3/16           | -        | RLP28303                      | 16,000                | 21.696 | 2.56            | 14.36 | 3.00  | 10.54 | 27.6      | 65,0            | 364,7 | 76,2  | 267,7 | 12,5     |      |
|                         | -                | 85       | RLP28085M                     | 16,000                | 21.696 | 2.56            | 14.36 | 3.00  | 10.54 | 27.6      | 65,0            | 364,7 | 76,2  | 267,7 | 12,5     |      |
|                         | 3 1/4            | -        | RLP28304                      | 16,000                | 21.696 | 2.56            | 14.36 | 3.00  | 10.54 | 27.6      | 65,0            | 364,7 | 76,2  | 267,7 | 12,5     |      |
|                         | 3 5/16           | -        | RLP28305                      | 16,000                | 21.696 | 2.56            | 14.36 | 3.00  | 10.54 | 27.6      | 65,0            | 364,7 | 76,2  | 267,7 | 12,5     |      |
|                         | 3 3/8            | -        | RLP28306                      | 16,000                | 21.696 | 2.56            | 14.36 | 3.00  | 10.54 | 27.6      | 65,0            | 364,7 | 76,2  | 267,7 | 12,5     |      |
|                         | 3 7/16           | -        | RLP28307                      | 16,000                | 21.696 | 2.56            | 14.36 | 3.00  | 10.54 | 27.6      | 65,0            | 364,7 | 76,2  | 267,7 | 12,5     |      |
|                         | 3 1/2            | -        | RLP28308                      | 16,000                | 21.696 | 2.56            | 14.36 | 3.00  | 10.54 | 27.6      | 65,0            | 364,7 | 76,2  | 267,7 | 12,5     |      |
|                         | -                | 90       | RLP28090M                     | 22,000                | 29.832 | 2.92            | 14.36 | 3.00  | 10.77 | 28.8      | 28.8            | 74,2  | 364,7 | 76,2  | 273,6    | 13,1 |
|                         | 3 9/16           | -        | RLP28309                      | 22,000                | 29.832 | 2.92            | 14.36 | 3.00  | 10.77 | 28.8      | 28.8            | 74,2  | 364,7 | 76,2  | 273,6    | 13,1 |
|                         | 3 5/8            | -        | RLP28310                      | 22,000                | 29.832 | 2.92            | 14.36 | 3.00  | 10.77 | 28.8      | 28.8            | 74,2  | 364,7 | 76,2  | 273,6    | 13,1 |
|                         | 3 11/16          | -        | RLP28311                      | 22,000                | 29.832 | 2.92            | 14.36 | 3.00  | 10.77 | 28.8      | 28.8            | 74,2  | 364,7 | 76,2  | 273,6    | 13,1 |
|                         | 3 3/4            | 95       | RLP28312                      | 22,000                | 29.832 | 2.92            | 14.36 | 3.00  | 10.77 | 28.8      | 28.8            | 74,2  | 364,7 | 76,2  | 273,6    | 13,1 |
|                         | 3 13/16          | -        | RLP28313                      | 22,000                | 29.832 | 2.92            | 14.36 | 3.00  | 10.77 | 28.8      | 28.8            | 74,2  | 364,7 | 76,2  | 273,6    | 13,1 |
|                         | 3 7/8            | -        | RLP28314                      | 22,000                | 29.832 | 2.92            | 14.36 | 3.00  | 10.77 | 28.8      | 28.8            | 74,2  | 364,7 | 76,2  | 273,6    | 13,1 |
|                         | 3 15/16          | 100      | RLP28315                      | 28,002                | 37.971 | 3.29            | 14.47 | 3.00  | 11.14 | 31.7      | 31.7            | 83,6  | 367,5 | 76,2  | 283,0    | 14,4 |
|                         | 4                | -        | RLP28400                      | 28,002                | 37.971 | 3.29            | 14.47 | 3.00  | 11.14 | 31.7      | 31.7            | 83,6  | 367,5 | 76,2  | 283,0    | 14,4 |
|                         | 4 1/16           | -        | RLP28401                      | 28,002                | 37.971 | 3.29            | 14.47 | 3.00  | 11.14 | 31.7      | 31.7            | 83,6  | 367,5 | 76,2  | 283,0    | 14,4 |
|                         | 4 1/8            | 105      | RLP28402                      | 28,002                | 37.971 | 3.29            | 14.47 | 3.00  | 11.14 | 31.7      | 31.7            | 83,6  | 367,5 | 76,2  | 283,0    | 14,4 |
|                         | 4 3/16           | -        | RLP28403                      | 28,002                | 37.971 | 3.29            | 14.47 | 3.00  | 11.14 | 31.7      | 31.7            | 83,6  | 367,5 | 76,2  | 283,0    | 14,4 |
|                         | 4 1/4            | -        | RLP28404                      | 28,002                | 37.971 | 3.29            | 14.47 | 3.00  | 11.14 | 31.7      | 31.7            | 83,6  | 367,5 | 76,2  | 283,0    | 14,4 |
|                         | 4 5/16           | 110      | RLP28405                      | 28,002                | 37.971 | 3.43            | 14.61 | 3.00  | 11.28 | 31.5      | 31.5            | 87,1  | 371,1 | 76,2  | 286,5    | 14,3 |
|                         | 4 3/8            | -        | RLP28406                      | 28,002                | 37.971 | 3.43            | 14.61 | 3.00  | 11.28 | 31.5      | 31.5            | 87,1  | 371,1 | 76,2  | 286,5    | 14,3 |
|                         | 4 7/16           | -        | RLP28407                      | 28,002                | 37.971 | 3.43            | 14.61 | 3.00  | 11.28 | 31.5      | 31.5            | 87,1  | 371,1 | 76,2  | 286,5    | 14,3 |
|                         | 4 1/2            | -        | RLP28408                      | 28,002                | 37.971 | 3.43            | 14.61 | 3.00  | 11.28 | 31.5      | 31.5            | 87,1  | 371,1 | 76,2  | 286,5    | 14,3 |
|                         | -                | 115      | RLP28115M                     | 28,002                | 37.971 | 3.43            | 14.61 | 3.00  | 11.28 | 31.5      | 31.5            | 87,1  | 371,1 | 76,2  | 286,5    | 14,3 |
|                         | 4 9/16           | -        | RLP28409                      | 28,002                | 37.971 | 3.43            | 14.61 | 3.00  | 11.28 | 31.5      | 31.5            | 87,1  | 371,1 | 76,2  | 286,5    | 14,3 |
|                         | 4 5/8            | -        | RLP28410                      | 28,002                | 37.971 | 3.43            | 14.61 | 3.00  | 11.28 | 31.5      | 31.5            | 87,1  | 371,1 | 76,2  | 286,5    | 14,3 |
|                         | 4 3/4            | 120      | RLP28412                      | 28,002                | 37.971 | 3.65            | 14.83 | 3.00  | 11.50 | 33.5      | 33.5            | 92,7  | 376,7 | 76,2  | 292,1    | 15,2 |
|                         | -                | 123      | RLP28123M                     | 28,002                | 37.971 | 3.65            | 14.83 | 3.00  | 11.50 | 33.5      | 33.5            | 92,7  | 376,7 | 76,2  | 292,1    | 15,2 |
|                         | 4 7/8            | -        | RLP28414                      | 28,002                | 37.971 | 3.65            | 14.83 | 3.00  | 11.50 | 33.5      | 33.5            | 92,7  | 376,7 | 76,2  | 292,1    | 15,2 |
|                         | 5                | -        | RLP28500                      | 28,002                | 37.971 | 3.65            | 14.83 | 3.00  | 11.50 | 33.5      | 33.5            | 92,7  | 376,7 | 76,2  | 292,1    | 15,2 |
|                         | 5 1/8            | 130      | RLP28502                      | 28,002                | 37.971 | 3.79            | 14.97 | 3.00  | 11.64 | 33.2      | 33.2            | 96,3  | 380,2 | 76,2  | 295,7    | 15,1 |
|                         | 5 3/16           | -        | RLP28503                      | 28,002                | 37.971 | 3.79            | 14.97 | 3.00  | 11.64 | 33.2      | 33.2            | 96,3  | 380,2 | 76,2  | 295,7    | 15,1 |
|                         | 5 1/4            | -        | RLP28504                      | 28,002                | 37.971 | 3.79            | 14.97 | 3.00  | 11.64 | 33.2      | 33.2            | 96,3  | 380,2 | 76,2  | 295,7    | 15,1 |
|                         | 5 5/8            | 135      | RLP28506                      | 28,002                | 37.971 | 3.79            | 14.97 | 3.00  | 11.64 | 33.2      | 33.2            | 96,3  | 380,2 | 76,2  | 295,7    | 15,1 |
|                         | 5 1/2            | 140      | RLP28508                      | 28,002                | 37.971 | 4.05            | 15.23 | 3.00  | 11.90 | 33.5      | 33.5            | 102,9 | 386,8 | 76,2  | 302,3    | 15,2 |
|                         | 5 9/16           | -        | RLP28509                      | 28,002                | 37.971 | 4.05            | 15.23 | 3.00  | 11.90 | 33.5      | 33.5            | 102,9 | 386,8 | 76,2  | 302,3    | 15,2 |
|                         | 5 3/8            | -        | RLP28510                      | 28,002                | 37.971 | 4.05            | 15.23 | 3.00  | 11.90 | 33.5      | 33.5            | 102,9 | 386,8 | 76,2  | 302,3    | 15,2 |
|                         | 5 3/4            | 145      | RLP28512                      | 28,002                | 37.971 | 4.05            | 15.23 | 3.00  | 11.90 | 33.5      | 33.5            | 102,9 | 386,8 | 76,2  | 302,3    | 15,2 |
| 5 7/8                   | 150              | RLP28514 | 28,002                        | 37.971                | 4.22   | 15.48           | 3.00  | 12.15 | 34.5  | 34.5      | 107,2           | 393,2 | 76,2  | 308,6 | 15,6     |      |
| 6                       | -                | RLP28600 | 28,002                        | 37.971                | 4.22   | 15.48           | 3.00  | 12.15 | 34.5  | 34.5      | 107,2           | 393,2 | 76,2  | 308,6 | 15,6     |      |
| 6 1/8                   | 155              | RLP28602 | 28,002                        | 37.971                | 4.22   | 15.48           | 3.00  | 12.15 | 34.5  | 34.5      | 107,2           | 393,2 | 76,2  | 308,6 | 15,6     |      |

▼ TWMP503



## TWMP503, Torque Wrench Moly Paste

- Enerpac 503 Moly Paste reduces friction on threaded fasteners – bolts, nuts and studs
- The low and uniform friction coefficient of 0.06 (torque coefficient, K, of 0.11) creates reliable assembly conditions
- This lubricant stays in place through heat, load and vibration to ensure trouble-free disassembly from -20° F to 750° F (-29° C to 400° C)
- 4 lbs. (1,8 kg) container

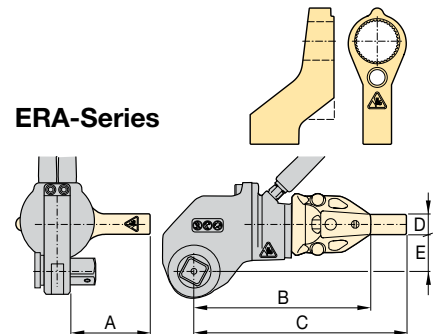
for  
**RSL Series**



## ERA-Series, Extended Reaction Arms

| For Torque Wrench Model No. | Model Number | Dimensions (in) |       |       |      |      | (lbs) |
|-----------------------------|--------------|-----------------|-------|-------|------|------|-------|
|                             |              | A               | B     | C     | D    | E    |       |
| RSL1500                     | ERA15114     | 3.42            | 5.71  | 7.68  | 1.14 | 1.42 | 1.98  |
|                             | ERA15228     | 4.45            | 7.13  | 9.06  | 1.14 | 1.42 | 3.97  |
|                             | ERA15342     | 5.47            | 8.90  | 10.87 | 1.14 | 1.42 | 5.95  |
|                             | ERA15456     | 6.46            | 9.29  | 11.26 | 1.14 | 1.42 | 7.94  |
|                             | ERA15570     | 7.44            | 11.30 | 13.27 | 1.14 | 1.42 | 9.92  |
| RSL3000                     | ERA30114     | 4.13            | 7.68  | 10.12 | 1.34 | 1.61 | 5.95  |
|                             | ERA30228     | 5.16            | 9.09  | 11.54 | 1.34 | 1.61 | 7.94  |
|                             | ERA30342     | 6.14            | 10.47 | 12.91 | 1.34 | 1.61 | 9.92  |
|                             | ERA30456     | 7.13            | 11.89 | 14.66 | 1.34 | 1.61 | 11.90 |
| RSL5000                     | ERA50114     | 5.16            | 8.19  | 11.18 | 1.73 | 1.89 | 9.04  |
|                             | ERA50228     | 6.14            | 9.57  | 12.60 | 1.73 | 1.89 | 11.02 |
|                             | ERA50342     | 7.13            | 10.98 | 13.98 | 1.73 | 1.89 | 13.01 |
|                             | ERA50456     | 8.15            | 12.37 | 15.39 | 1.73 | 1.89 | 15.00 |
| RSL11000                    | ERA110114    | 4.92            | 8.62  | 11.65 | 2.01 | 2.32 | 13.89 |
|                             | ERA110228    | 5.91            | 10.04 | 13.06 | 2.01 | 2.32 | 16.09 |
|                             | ERA110342    | 6.93            | 11.46 | 14.45 | 2.01 | 2.32 | 18.08 |
|                             | ERA110456    | 7.91            | 12.83 | 15.83 | 2.01 | 2.32 | 20.06 |
| RSL28000                    | ERA280228    | 6.73            | 13.19 | 16.18 | 2.24 | 3.50 | 24.91 |
|                             | ERA280342    | 7.76            | 14.57 | 17.60 | 2.24 | 3.50 | 30.00 |

- Only to be used on RSL-drive units with RSQ-square drive wrenches
- Used in place of standard reaction arm
- Lightweight interchangeable design
- Full torque rated

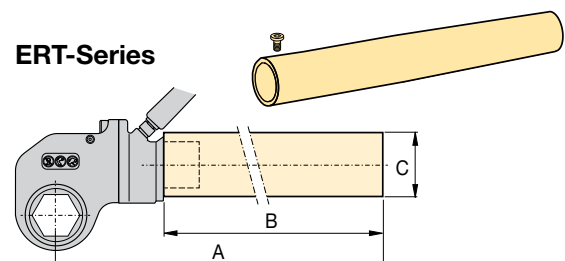


NOTE: Extended Reaction Arms for RSL8000 and RSL19000 are available on request.

## ERT-Series, Extended Reaction Tubes

| For Torque Wrench Model No. | Model Number | Dimensions (in) |       |      | Wt. (lbs) |
|-----------------------------|--------------|-----------------|-------|------|-----------|
|                             |              | A               | B     | Ø C  |           |
| RSL1500                     | ERT152       | 6.18            | 2.01  | 2.24 | 1.98      |
|                             | ERT156       | 10.20           | 5.98  | 2.24 | 3.53      |
|                             | ERT159       | 13.19           | 9.02  | 2.24 | 5.51      |
|                             | ERT1512      | 16.18           | 12.01 | 2.24 | 7.50      |
|                             | ERT1524      | 28.19           | 24.02 | 2.24 | 14.78     |
| RSL3000                     | ERT3012      | 16.89           | 12.01 | 2.76 | 6.61      |
|                             | ERT3024      | 28.90           | 24.02 | 2.76 | 13.01     |
| RSL5000                     | ERT5012      | 17.76           | 12.01 | 3.50 | 12.35     |
|                             | ERT5024      | 29.76           | 24.02 | 3.50 | 24.91     |
| RSL11000                    | ERT1106      | 12.99           | 5.98  | 3.74 | 4.63      |
|                             | ERT11012     | 19.02           | 12.01 | 3.74 | 9.04      |
|                             | ERT11018     | 25.00           | 17.99 | 3.74 | 13.45     |
|                             | ERT11024     | 30.98           | 24.02 | 3.74 | 18.52     |
| RSL19000                    | ERT19024     | 31.50           | 24.02 | 5    | 36.82     |
| RSL28000                    | ERT2806      | 13.82           | 5.98  | 5    | 7.94      |
|                             | ERT28012     | 19.80           | 12.01 | 5    | 16.09     |
|                             | ERT28018     | 25.79           | 17.99 | 5    | 24.03     |
|                             | ERT28024     | 31.81           | 24.02 | 5    | 36.60     |

- Only to be used on RSL-drive units with RLP-hexagon cassettes
- Used in place of standard reaction arm
- One-piece steel design, durable and simple
- Increases tool fit in restricted access areas
- Full torque rated



NOTE: Extended Reaction Tubes for RSL8000 are available on request.



▼ Shown: RSL drive unit with interchangeable RLP—SL slimline cassette



## Setting New Standards in Simplicity, Versatility and Accuracy



### Torque Wrench Pumps

Visit [enerpac.com](http://enerpac.com) for system matched air and electric torque wrench pumps that are ideal for use with hydraulic torque wrenches.

Page: 291



### Options and Accessories

Optional extended reaction arms and tubes are common accessories available for maximum versatility. Please contact your Enerpac representative to help you select the optimum solution for your application.

Page: 269



### Back-Up Spanner

To be used to stop back nut from turning during make up or break out. Two hex sizes in one tool.

| Hexagon Sizes (A/F)   |           | Back-Up Spanner Model Number |
|---|-----------|------------------------------|
| (in)  | (mm)      |                              |
| 1 <sup>1</sup> / <sub>16</sub> - 1 <sup>1</sup> / <sub>4</sub>  | 27 - 32   | <b>BUS01</b>                 |
| 1 <sup>7</sup> / <sub>16</sub> - 1 <sup>5</sup> / <sub>8</sub>  | 36 - 41   | <b>BUS02</b>                 |
| 1 <sup>13</sup> / <sub>16</sub> - 2                             | 46 - 50   | <b>BUS03</b>                 |
| 2 <sup>3</sup> / <sub>16</sub> - 2 <sup>3</sup> / <sub>8</sub>  | 55 - 60   | <b>BUS04</b>                 |
| 2 <sup>9</sup> / <sub>16</sub> - 2 <sup>3</sup> / <sub>4</sub>  | 65 - 70   | <b>BUS05</b>                 |
| 2 <sup>15</sup> / <sub>16</sub> - 3 <sup>1</sup> / <sub>8</sub> | 75 - 80   | <b>BUS06</b>                 |
| 3 <sup>1</sup> / <sub>2</sub> - 3 <sup>7</sup> / <sub>8</sub>   | –         | <b>BUS07</b>                 |
| 4 <sup>1</sup> / <sub>4</sub> - 4 <sup>5</sup> / <sub>8</sub>   | –         | <b>BUS08</b>                 |
| –   | 85 - 90   | <b>BUS09</b>                 |
| 3 <sup>3</sup> / <sub>4</sub> - 3 <sup>15</sup> / <sub>16</sub> | 95 - 100  | <b>BUS10</b>                 |
| 4 <sup>1</sup> / <sub>8</sub> - 4 <sup>15</sup> / <sub>16</sub> | 105 - 110 | <b>BUS11</b>                 |
| –   | 115 - 120 | <b>BUS12</b>                 |

Page: 245

### Simplicity

- Minimum nose radius for trouble-free tool fit which makes it uniquely equipped to access tight spaces, such as Blowout Preventers (BOPs)
- Simple robust alloy steel design with three moving parts for reduced maintenance
- Proven to perform even in the harshest environments
- Reaction arm has a simple dial lock for rapid change
- Designed to give optimum strength-to-weight and torque- to-weight ratios

### Versatility

- Interchangeable cassette design
- Drive unit / hexagon cassette combination for limited height in line solutions
- Wide range of hexagon sizes available for all applications

### Accuracy

- Constant torque output provides accuracy of +/-3% across full stroke

### Ease of Use

- Few moving parts are easily accessible for quick field maintenance
- Innovative design that completely encloses all moving parts and minimizes pinch points

# Slimline Stepped-Width Hexagon Cassettes



## Slimline Stepped-Width Hexagon Cassettes

Accessing narrow spaces, typically found on BOP stacks, normally requires significantly reducing the width of the torque wrench. For the tool operator, this has always meant vastly reduced tool durability, and/or reduced torque output.

By using the highest-grade materials and perfecting the geometry, the RSL Slimline cassettes are able to provide greater torque, get into tighter spaces, and vastly outperform the competition in product durability.

## RSL Series



Hexagon Range:

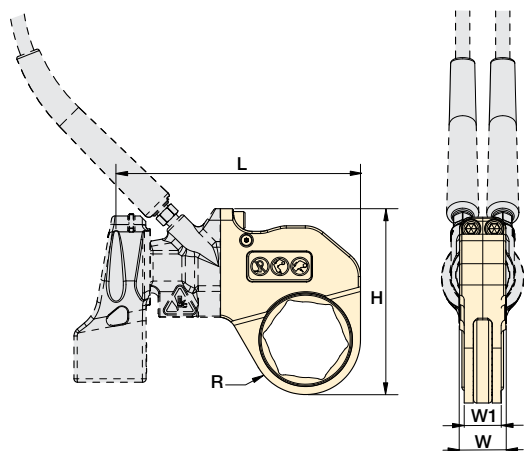
**1 1/4 - 3 3/16 inches**

Hexagon Range:

**32 - 80 mm**

Maximum Operating Pressure:

**10,000 psi**



### Select the Right Torque

Choose your Enerpac Torque Wrench using the untightening rule of thumb: Loosening torque equals about 250% of tightening torque.

### ▼ SELECTION CHART

| Drive Unit Model Number | Hexagon Size A/F |      | Hexagon Cassette Model Number | Maximum Torque Output |      | Dimensions (in) |      |      |      |      | Wt. (lbs) | Dimensions (mm) |       |      |      |       | Wt. (kg) |
|-------------------------|------------------|------|-------------------------------|-----------------------|------|-----------------|------|------|------|------|-----------|-----------------|-------|------|------|-------|----------|
|                         | (in)             | (mm) |                               | (ft-lbs)              | (Nm) | R               | L    | W    | W1   | H    |           | R               | L     | W    | W1   | H     |          |
| RSL1500                 | 1 1/4            | 32   | RLP1104SL                     | 375                   | 509  | 1.03            | 6.12 | 1.25 | 1.00 | 4.57 | 2.2       | 26,2            | 155,4 | 31,8 | 25,4 | 116,1 | 1,0      |
|                         | 1 7/16           | 36   | RLP1107SL                     | 658                   | 892  | 1.15            | 6.24 | 1.25 | 1.00 | 4.69 | 2.3       | 29,2            | 158,5 | 31,8 | 25,4 | 119,1 | 1,0      |
|                         | 1 5/8            | 41   | RLP1110SL                     | 831                   | 1127 | 1.31            | 6.41 | 1.25 | 1.00 | 4.86 | 2.7       | 33,3            | 162,8 | 31,8 | 25,4 | 123,4 | 1,2      |
|                         | 1 13/16          | 46   | RLP1113SL                     | 831                   | 1127 | 1.40            | 6.49 | 1.25 | 1.00 | 4.94 | 2.7       | 35,6            | 164,8 | 31,8 | 25,4 | 125,5 | 1,2      |
|                         | 2                | 50   | RLP1200SL                     | 831                   | 1127 | 1.48            | 6.58 | 1.25 | 1.00 | 5.03 | 2.7       | 37,6            | 167,1 | 31,8 | 25,4 | 127,8 | 1,2      |
| RSL3000                 | 2                | 50   | RLP3200SL                     | 1354                  | 1836 | 1.60            | 8.04 | 1.38 | 1.13 | 5.92 | 4.5       | 40,6            | 204,2 | 35,1 | 28,7 | 150,4 | 2,0      |
|                         | 2 3/16           | 55   | RLP3203SL                     | 1604                  | 2175 | 1.76            | 8.16 | 1.38 | 1.13 | 6.08 | 4.7       | 44,7            | 207,3 | 35,1 | 28,7 | 154,4 | 2,1      |
|                         | 2 3/8            | 60   | RLP3206SL                     | 1604                  | 2175 | 1.84            | 8.25 | 1.38 | 1.13 | 6.15 | 4.8       | 46,7            | 209,6 | 35,1 | 28,7 | 156,2 | 2,2      |
|                         | 2 9/16           | 65   | RLP3209SL                     | 1604                  | 2175 | 1.95            | 8.14 | 1.38 | 1.13 | 6.26 | 4.6       | 49,5            | 206,8 | 35,1 | 28,7 | 159,0 | 2,1      |
|                         | 2 3/4            | 70   | RLP3212SL                     | 1604                  | 2175 | 2.04            | 8.23 | 1.38 | 1.13 | 6.36 | 4.4       | 51,8            | 209,0 | 35,1 | 28,7 | 161,5 | 2,0      |
| RSL5000                 | 2 15/16          | 75   | RLP3215SL                     | 1604                  | 2175 | 2.16            | 8.34 | 1.38 | 1.13 | 6.54 | 4.7       | 54,9            | 211,8 | 35,1 | 28,7 | 166,1 | 2,1      |
|                         | 2 3/4            | 70   | RLP5212SL                     | 4173                  | 5659 | 2.16            | 9.63 | 1.75 | 1.62 | 7.07 | 7.5       | 54,9            | 244,6 | 44,5 | 41,1 | 179,6 | 3,4      |
| RSL8000                 | 3 1/8            | 80   | RLP5302SL                     | 4173                  | 5659 | 2.26            | 9.73 | 1.75 | 1.62 | 7.17 | 7.2       | 57,4            | 247,1 | 44,5 | 41,1 | 182,1 | 3,3      |
|                         | 2 3/16           | 55   | RLP8203SL                     | 2487                  | 3372 | 1.71            | 9.53 | 2.25 | 2.00 | 6.84 | 8.5       | 43,4            | 242,1 | 57,2 | 50,8 | 173,7 | 3,9      |
|                         | 2 3/8            | 60   | RLP8206SL                     | 3198                  | 4336 | 1.87            | 9.67 | 2.25 | 2.00 | 7.00 | 8.9       | 47,5            | 245,6 | 57,2 | 50,8 | 177,8 | 4,0      |
|                         | 2 9/16           | 65   | RLP8209SL                     | 4122                  | 5589 | 2.01            | 9.67 | 2.25 | 2.00 | 7.13 | 9.0       | 51,1            | 245,6 | 57,2 | 50,8 | 181,1 | 4,1      |
|                         | 2 3/4            | 70   | RLP8212SL                     | 5587                  | 7576 | 2.16            | 9.82 | 2.25 | 2.00 | 7.28 | 9.6       | 54,9            | 249,4 | 57,2 | 50,8 | 184,9 | 4,4      |
|                         | 2 15/16          | 75   | RLP8215SL                     | 5587                  | 7576 | 2.24            | 9.90 | 2.25 | 2.00 | 7.36 | 9.6       | 56,9            | 251,5 | 57,2 | 50,8 | 186,9 | 4,4      |
| RSL8000                 | 3 1/8            | 80   | RLP8302SL                     | 5587                  | 7576 | 2.26            | 9.92 | 2.25 | 2.00 | 7.39 | 9.3       | 57,4            | 252,0 | 57,2 | 50,8 | 187,7 | 4,2      |
|                         | 3 3/16           | -    | RLP8303SL                     | 4740                  | 6427 | 2.26            | 9.92 | 2.25 | 2.00 | 7.39 | 9.3       | 57,4            | 252,0 | 57,2 | 50,8 | 187,7 | 4,2      |

▼ RSL drive unit with interchangeable RSQ square drive cassette



## Setting New Standards in Safety, Simplicity and Performance



### Torque Wrench Options and Accessories

Optional accessories are available for maximum versatility. Please contact your Enerpac representative to help you select the optimum solution for your application.



### Select the Right Torque

Choose your Enerpac Torque Wrench using the untightening rule of thumb: Loosening torque equals about 250% of tightening torque.

Page: 412



### BSH-Series Sockets

Heavy-Duty Impact Sockets for power driven torquing equipment.

Page: 244



### Back-Up Spanners

Hands free tool to be used to stop back nut from turning during make up or break out.

Page: 245



### Torque Wrench Hoses

Series hoses with RSL-Series torque wrenches to ensure the integrity of your hydraulic system.

|                         |         |
|-------------------------|---------|
| 6 feet long, 2 hoses    | THQ702T |
| 19.5 feet long, 2 hoses | THQ706T |
| 39 feet long, 2 hoses   | THQ712T |

### Safety and Performance

- Innovative design that completely encloses all moving parts and minimizes pinch points
- 30–35° of operating stroke provides added productivity while avoiding “tool lock on” which is common with some torque wrench designs

### Simplicity

- Simple robust design with just three moving parts for reduced maintenance
- Robust handles are available which mount on both sides and the tops of cassettes to allow for extra maneuverability
- Pull-type square drive release for quickly reversing the square drive for tightening or loosening

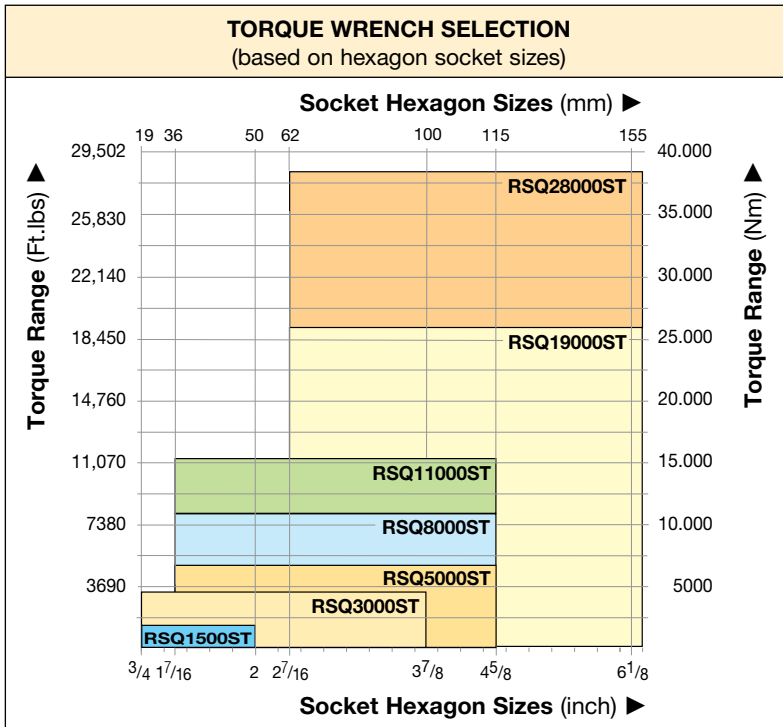
### Versatility

- Square Drive Sets available with interchangeable Hexagon Cassettes
- Power head / square drive combination for flexible use with standard impact quality sockets
- Reaction arm has a simple dial lock for rapid change

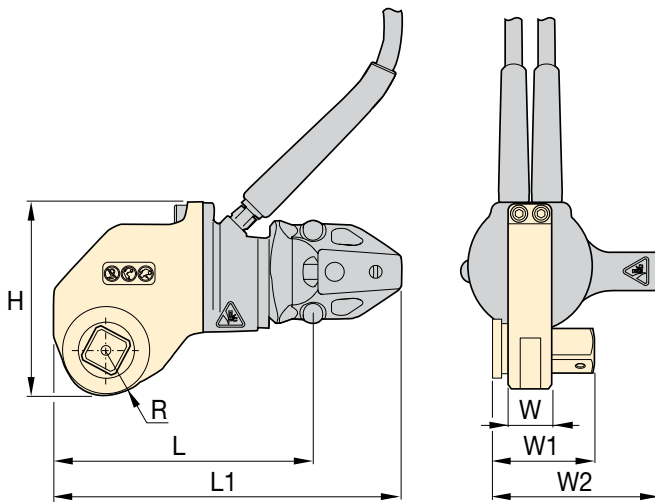
### Accuracy

- Constant torque output provides accuracy of +/-3% across full stroke

# RSL-Series, Square Drive Torque Wrenches



See page 244 for BSH-Sockets.



## SELECTION CHART

| Maximum Torque Output |       | Square Drive Size (in) | Square Drive Head Model Numbers <sup>1)</sup> | Square Drive Torque Wrench Set Model Numbers <sup>2)</sup> | Dimensions (in) |      |       |       |       |       |      | Weight (lbs)                 |              |                   |
|-----------------------|-------|------------------------|---|--|-----------------|------|-------|-------|-------|-------|------|------------------------------|--------------|-------------------|
| (ft.-lbs)             | (Nm)  |                        |   |  | W               | W1   | W2    | H     | L     | L1    | R    | Drive Unit (no reaction arm) | Reaction Arm | Square Drive Head |
| 1408                  | 1909  | 3/4                    | RSQ1500                                       | RSQ1500ST  | 1.25            | 2.30 | 3.98  | 4.48  | 6.29  | 7.45  | 0.94 | 3.4                          | 1.0          | 2.8               |
| 3080                  | 4176  | 1                      | RSQ3000                                       | RSQ3000ST  | 1.50            | 2.88 | 4.89  | 5.57  | 7.67  | 10.30 | 1.25 | 5.6                          | 2.2          | 5.2               |
| 5303                  | 7190  | 1 1/2                  | RSQ5000                                       | RSQ5000ST  | 1.75            | 3.71 | 6.31  | 6.42  | 9.27  | 11.67 | 1.52 | 8.9                          | 4.0          | 9.1               |
| 7862                  | 10659 | 1 1/2                  | RSQ8000                                       | RSQ8000ST  | 2.40            | 4.14 | 6.30  | 6.65  | 9.47  | 11.78 | 1.52 | 10.6                         | 4.3          | 11.6              |
| 11154                 | 15123 | 1 1/2                  | RSQ11000                                      | RSQ11000ST   | 2.50            | 4.63 | 6.70  | 7.93  | 11.20 | 12.40 | 1.88 | 11.6                         | 6.6          | 18.4              |
| 18843                 | 25547 | 2 1/2                  | RSQ19000                                      | RSQ19000ST   | 3.25            | 6.38 | 10.42 | 9.48  | 13.46 | 18.97 | 2.50 | 20.0                         | 15.7         | 28.9              |
| 28002                 | 37965 | 2 1/2                  | RSQ28000                                      | RSQ28000ST   | 3.50            | 6.54 | 8.93  | 10.35 | 14.09 | 21.07 | 2.50 | 22.0                         | 11.1         | 39.3              |

<sup>1)</sup> When ordering an RSQ Square Drive Head the RSL Drive Unit must be ordered separately.x

<sup>2)</sup> An RSQ....ST Torque Wrench Set includes a RSQ Square Drive Head, RSL Drive Unit with short Whip Hoses, and Reaction Arm

## RSL Series



Maximum Torque Output:

**1408 - 28,002 ft.lbs**

Maximum Torque Output:

**1909 - 37,965 Nm**

Square Drive Range:

**3/4 - 2 1/2 inches**

Maximum Operating Pressure:

**10,000 psi**



### Safe T™ Torque Lock

The Safe T™ Torque Lock is suitable for all bolted applications from 140 ft-lbs to 11,175 ft-lbs. using a heavy-duty impact socket.

The patented mechanical locking system creates a hands-free torque wrench solution suitable for Enerpac only square drive tools.

Suitable for:

RSQ3000, RSQ5000, RSQ11000

Page: 246



### Torque Wrench Pumps

Visit [enerpac.com](http://enerpac.com) for system matched air and electric torque wrench pumps that are ideal for use with hydraulic torque wrenches.

Page: 291