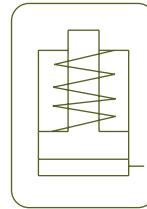


ALUMINIUM SINGLE ACTING CYLINDERS, SPRING RETURN

- ✓ Lightweight, general purpose cylinders from 30 to 140 ton, stroke up to 300 mm.
- ✓ Made from high strength aluminium alloy.
- ✓ Solid piston, spring return.
- ✓ All aluminium parts are treated to improve resistance and extend working life.
- ✓ 40% weight reduction when compared with steel equivalent.
- ✓ Fitted with steel base plate and saddle for wear resistance.
- ✓ Not suitable for high-cycle applications.



The body, stop ring and piston of the cylinder are hard anodized to strengthen the working area and extend its working life.

The lighter weight of aluminium makes them especially suitable for use in sites of difficult access.

It is highly recommended to place the cylinder on a flat area to avoid any damage to the base.

S/A ALUMINIUM CYLINDERS



Type	SAM
Capacity	30 - 140 ton
Stroke	50 - 300 mm
Max. pressure	700 bar

SAM CYLINDERS

SAH
Lightweight Aluminium
Hollow Piston Cylinders



P.18

DDA
Double Acting Aluminium Cylinders



P.48

WA
Aluminium Hand Pumps



P.68



HBM / HBE
Powerpacks



P.72

Z12107
Air Hydraulic Pumps

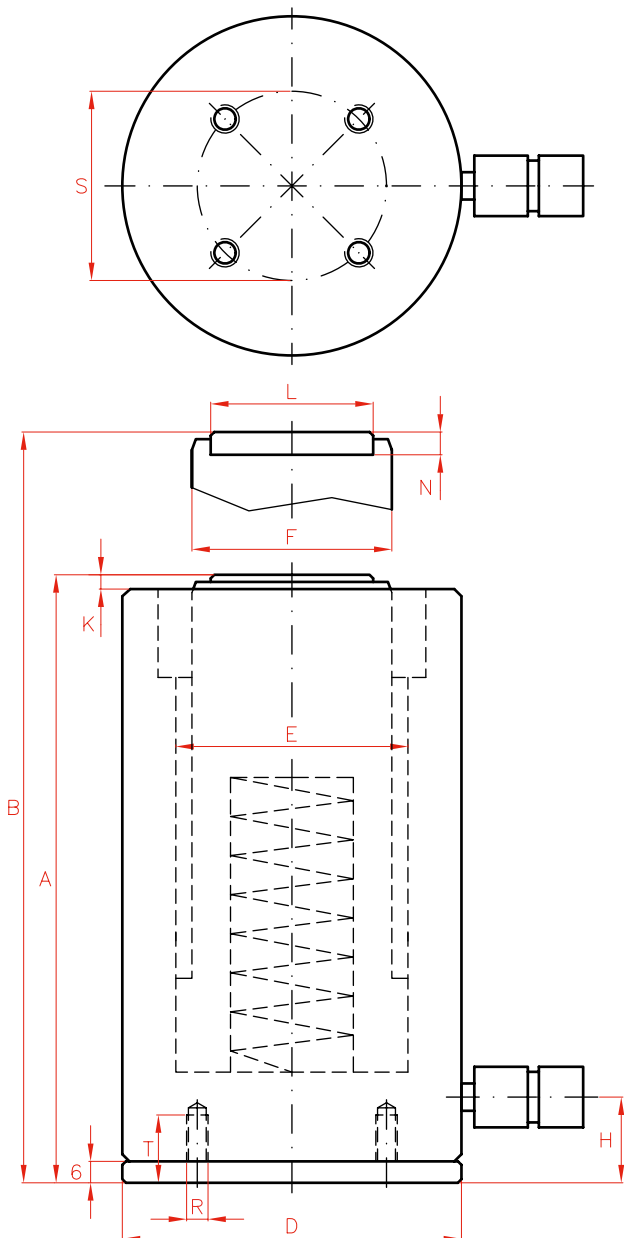


P.70

W
Single Acting Hand Pumps



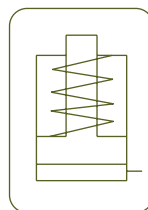
P.66



Capacity		Stroke	Model	Oil Cap.	A
ton	kN	mm	LARZEP	cm ³	mm
30	303	50	SAM03005	221	172
		100	SAM03010	442	222
		150	SAM03015	663	272
		200	SAM03020	883	322
		250	SAM03025	1.104	372
		300	SAM03030	1.325	422
50	487	50	SAM05005	354	180
		100	SAM05010	709	230
		150	SAM05015	1.063	280
		200	SAM05020	1.417	330
		250	SAM05025	1.772	380
		300	SAM05030	2.126	430
100	911	50	SAM10005	663	210
		100	SAM10010	1.326	260
		150	SAM10015	1.989	310
		200	SAM10020	2.652	360
		250	SAM10025	3.315	410
		300	SAM10030	3.982	460
140	1.380	50	SAM14005	1.005	225
		100	SAM14010	2.010	275
		150	SAM14015	3.016	325
		200	SAM14020	4.021	375
		250	SAM14025	5.026	425



S/A ALUMINIUM CYLINDERS



Type **SAM**

Capacity **30 - 140 ton**

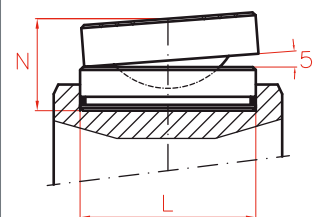
Stroke **50 - 300 mm**

Max. pressure **700 bar**

SAM CYLINDERS

OPTIONAL TILTING SADDLES

Model	L	N	Weight
LARZEP	mm	mm	kg
AZ0401	45	36	0,4
AZ0402	61	39	0,8
AZ0404	88	47	2,2



P.90

	B	D	E	F	H	K	L	N	R	S	T	Area	Weight	Model	With tilting saddle	
	mm	mm	mm	mm	mm	mm	mm	mm		mm	mm	cm ²	kg	LARZEP	A	Model
	222	105	75	60	24	6	45	11	M6	85	19	44	4,8	SAM03005	197	AZ0401
	322	105	75	60	24	6	45	11	M6	85	19	44	5,4	SAM03010	247	AZ0401
	422	105	75	60	24	6	45	11	M6	85	19	44	6,4	SAM03015	297	AZ0401
	522	105	75	60	24	6	45	11	M6	85	19	44	7,4	SAM03020	347	AZ0401
	622	105	75	60	24	6	45	11	M6	85	19	44	8,4	SAM03025	397	AZ0401
	722	105	75	60	24	6	45	11	M6	85	19	44	9,3	SAM03030	447	AZ0401
	230	135	95	80	26	7	61	12	M6	115	19	71	8,0	SAM05005	207	AZ0402
	330	135	95	80	26	7	61	12	M6	115	19	71	9,5	SAM05010	257	AZ0402
	430	135	95	80	26	7	61	12	M6	115	19	71	11,0	SAM05015	307	AZ0402
	530	135	95	80	26	7	61	12	M6	115	19	71	11,5	SAM05020	357	AZ0402
	630	135	95	80	26	7	61	12	M6	115	19	71	13,0	SAM05025	407	AZ0402
	730	135	95	80	26	7	61	12	M6	115	19	71	14,5	SAM05030	457	AZ0402
	260	180	130	110	32	5	88	14	M6	160	19	133	16,0	SAM10005	243	AZ0404
	360	180	130	110	32	5	88	14	M6	160	19	133	19,0	SAM10010	293	AZ0404
	460	180	130	110	32	5	88	14	M6	160	19	133	22,0	SAM10015	343	AZ0404
	560	180	130	110	32	5	88	14	M6	160	19	133	25,0	SAM10020	393	AZ0404
	660	180	130	110	32	5	88	14	M6	160	19	133	28,0	SAM10025	443	AZ0404
	760	180	130	110	32	5	88	14	M6	160	19	133	31,0	SAM10030	493	AZ0404
	275	225	160	140	43	6	88	14	M6	200	19	201	24,0	SAM14005	258	AZ0404
	375	225	160	140	43	6	88	14	M6	200	19	201	29,0	SAM14010	308	AZ0404
	475	225	160	140	43	6	88	14	M6	200	19	201	34,0	SAM14015	358	AZ0404
	575	225	160	140	43	6	88	14	M6	200	19	201	39,0	SAM14020	408	AZ0404
	675	225	160	140	43	6	88	14	M6	200	19	201	44,0	SAM14025	458	AZ0404