

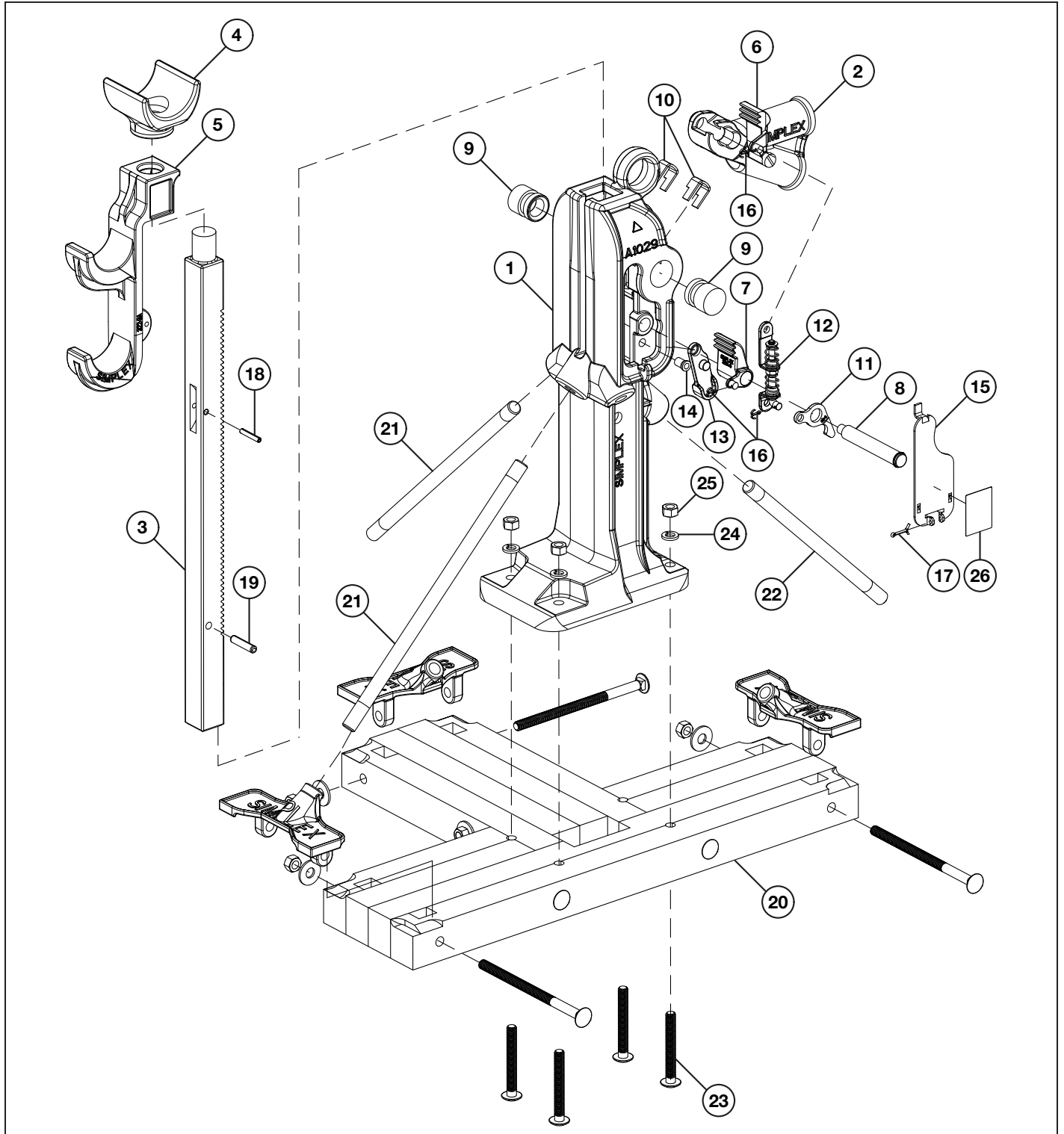


# Repair Parts Sheet

## Reel Jack CRA1029L and CRA1029R

TD099 Rev. C 03/2019

Simplex recommends that all kit components be installed to insure optimum performance of the repaired product.



Repair Parts List			
Item No.	Part Number	Qty.	Description
	CRA1029L / CRA1029R		
1	N/A	1	Housing - Not Serviceable
2	90586	1	Lever Socket (Dbl. Rounded)
3	90974	1	Rack Bar
4	90618	1	Cap
5	90615	1	Shoe
6	90588	1	Lifting Pawl
7	90589	1	Retaining Pawl
8	90273	1	Retaining Pawl Pin Assembly
9	★	2	Trunnion Bearing
10	★	2	Trunnion Bearing Key
11	90275	1	Spring Link Lever
12	★	1	Spring Link Complete
13	90970	1	Reversing Lever
14	90440	1	Reversing Lever Rivet
15	41482	1	Side Plate
16	★	3	Cotter Pin
17	93781	1	Side Plate Cotter Pin
18	93826	1	Spirol Pin Heavy 0.25 x 1.50
19	93828	1	Spirol Pin Heavy 0.375 x 1.75
20	86815	1	Base W/ Bolts Left or Right
21	90621	2	Long Brace
22	90622	1	Short Brace
23	93767	4	Carriage Bolt
24	93946	4	Lockwasher
25	93855	4	Hex Nut
26	★	1	Capacity and Instruction Label

★ - Indicates parts included in 40562 Repair Kit  
Replacement Decals available in CRSERIESDK Kit  
N/A - Not Available.



N86 W12500 Westbrook Crossing  
Menomonee Falls, WI 53051  
Phone - USA Only: 1 (800) 323-9114  
Phone - Inside/Outside USA: 1 (262) 293-1575  
Fax: 1 (262) 597-1127  
[www.tksimplex.com](http://www.tksimplex.com)