

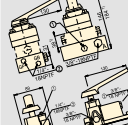


Directional Control Valves

Energac hydraulic valves are available in a wide variety of models and configurations.

Whatever your requirements... directional control, flow control, or pressure control... you can be sure that Energac has the correct valve to match your application exactly.

Designed and manufactured for safe operation up to 700 bar, the range of Energac valves allows for direct pump mounting, remote mounting, manual or solenoid actuation, and in-line installation, giving you flexible solutions to control your hydraulic system.

Valve Type	Series		Page
Pump Mounted Manual and Solenoid Directional Control Valves	VM VE		122 ▶
Remote Mounted Manual Directional Control Valves	VC		124 ▶
Valve Dimensions	VM VE VC		125 ▶



Pressure & Flow Control Valves

For more hydraulic system control with pressure relief valves, shut-off valves, check valves and sequence valves see our "System Components".

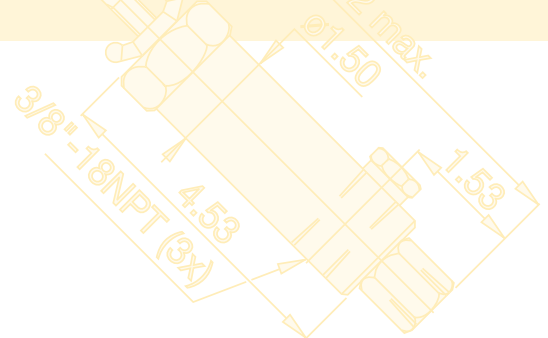
Page: 144



Valving Help

See Basic System Set-Up and Valve Information in our 'Yellow Pages'.

Page: 395



Pump Mounted Directional Control Valves

VM VE Series




Maximum Flow Capacity:

17 l/min

Maximum Operating Pressure:

700 bar

Model Number	Hydraulic Symbol	Schematic Flowpath			 (kg)
		Advance	Neutral	Retract	
VM22					2,5
VM32					2,5
VM33					3,0
VM33VAC					3,5
VM43					3,1
VM33L					4,8
VM43L					4,9
VE32					3,9
VE32D					3,9
VE33VAC					10,0
VE33					9,3
VE43					9,3



Assisted Return Pumps with Venturi Valve Technology

To improve productivity and plunger retraction, Enerpac offers valve configurations designed to

accelerate your cylinder retraction speeds, ZU4 and ZE-Series pumps feature **Venturi Valve Technology** to facilitate the faster return of single-acting gravity and spring return cylinders.

See valve type in ZU4 and ZE-pump ordering matrix on pages 100 and 106.

Venturi Valve Retrofit Kits

For field installation on existing ZU4, ZE and ZA-Series pumps, Retrofit Kits are available for manual and solenoid operated valves.

For valve model	For valve operation	Retrofit Kit Model Nr.
VM33, VM33L	Manual	VM33RVK
VE33	Solenoid	VUV5



Spring Centred Valve Kits

VM and VC-Series manual 3-position valves can be easily converted into spring centred valves. With these retro-fit kits the

handle will automatically move into the neutral valve position when released.

For valve model	Model Number
VM33, VM43	VMC3343K
VM33L, VM43L	VMC3343KL
VC3, VC15, VC4, VC20	VMC34K
VC3L, VC15L, VC4L, VC20L	VMC34KL

Pump Mounted Directional Control Valves

VM VE Series




Maximum Flow Capacity:

17 l/min

Maximum Operating Pressure:

700 bar

Model Number	Hydraulic Symbol	Schematic Flowpath			 (kg)
		Advance	Neutral	Retract	
VM22					2,5
VM32					2,5
VM33					3,0
VM33VAC					3,5
VM43					3,1
VM33L					4,8
VM43L					4,9
VE32					3,9
VE32D					3,9
VE33VAC					10,0
VE33					9,3
VE43					9,3



Assisted Return Pumps with Venturi Valve Technology

To improve productivity and plunger retraction, Enerpac offers valve configurations designed to

accelerate your cylinder retraction speeds, ZU4 and ZE-Series pumps feature **Venturi Valve Technology** to facilitate the faster return of single-acting gravity and spring return cylinders.

See valve type in ZU4 and ZE-pump ordering matrix on pages 100 and 106.

Venturi Valve Retrofit Kits

For field installation on existing ZU4, ZE and ZA-Series pumps, Retrofit Kits are available for manual and solenoid operated valves.

For valve model	For valve operation	Retrofit Kit Model Nr.
VM33, VM33L	Manual	VM33RVK
VE33	Solenoid	VUV5



Spring Centred Valve Kits

VM and VC-Series manual 3-position valves can be easily converted into spring centred valves. With these retro-fit kits the

handle will automatically move into the neutral valve position when released.

For valve model	Model Number
VM33, VM43	VMC3343K
VM33L, VM43L	VMC3343KL
VC3, VC15, VC4, VC20	VMC34K
VC3L, VC15L, VC4L, VC20L	VMC34KL

▼ Shown from left to right: VC20, VC4L



Remote Control of Single and Double-Acting Cylinders and Tools



Locking Valves

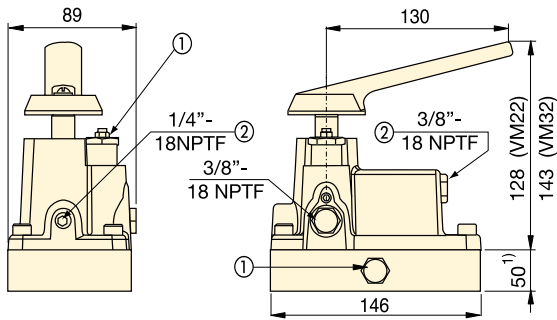
For applications that require positive load holding, VC-Series valves are available with a pilot-operated check valve. This option provides hydraulic locking of the load until the valve is shifted into the retract position.

- Advance/Hold/Retract operation for use with single-acting or double-acting cylinders and tools
- Return line kit included with remote valves.

Valve Operation	Used with Cylinder	Valve Type	Model Number	Hydraulic Symbol	Schematic Flowpath			(kg)
					Advance	Hold	Retract	
Manual	Single-Acting	3-Way, 3-Position, Tandem Center	VC3					2,9
Manual	Single-Acting	3-Way, 3-Position, Tandem Center, Locking	VC3L					4,7
Manual	Single-Acting	3-Way, 3-Position, Closed Center	VC15					2,9
Manual	Single-Acting	3-Way, 3-Position, Closed Center, Locking	VC15L					4,7
Manual	Double-Acting	4-Way, 3-Position, Tandem Center	VC4					2,9
Manual	Double-Acting	4-Way, 3-Position, Tandem Center, Locking	VC4L					4,7
Manual	Double-Acting	4-Way, 3-Position, Closed Center	VC20					2,9
Manual	Double-Acting	4-Way, 3-Position, Closed Center, Locking	VC20L					4,7

Directional Control Valves Dimensions

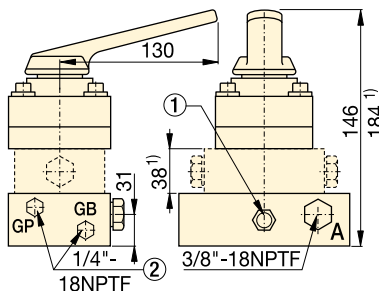
Pump Mounted Directional Control Valves



VM22, VM32

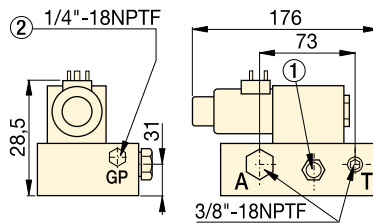
¹⁾ VM22 only

- ① User Adjustable Relief Valve
- ② Auxiliary Port

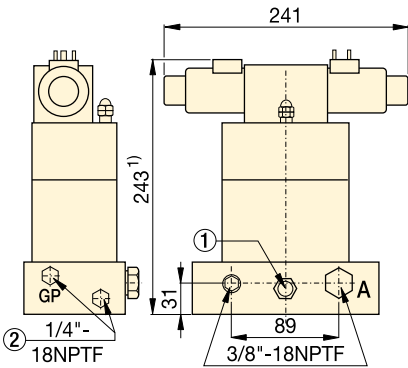


VM33, VM33L, VM33VAC, VM43, VM43L

¹⁾ VM33VAC, VM33L and VM43L only

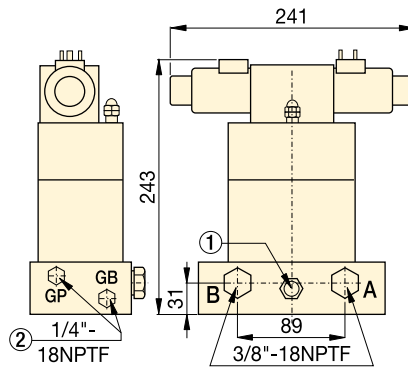


VE32D



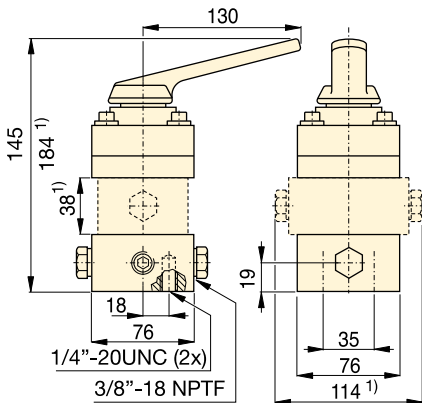
VE33, VE33VAC

¹⁾ VE33VAC is 38 mm higher: 281 mm



VE43

Remote Manual Directional Control Valves



VC3, VC3L, VC15, VC15L

VC4, VC4L, VC20, VC20L

¹⁾ VC3L, VC15L, VC4L and VC20L only

VM VE VC Series



Maximum Flow Capacity:

17 l/min

Maximum Operating Pressure:

700 bar



Spring Centred Valve Kits

VM and VC-Series manual 3-position valves can be easily converted into spring centred valves. With these retro-fit kits the

handle will automatically move into the neutral valve position when released.

For valve models	Model Number
VM33, VM43	VMC3343K
VM33L, VM43L	VMC3343KL
VC3, VC15, VC4, VC20	VMC34K
VC3L, VC15L, VC4L, VC20L	VMC34KL



Gauges

Minimize the risk of overloading and ensure long, dependable service from your equipment. Refer to the System Components

Section for a full range of gauges.

Page: **127**



Fittings

For additional fittings see the fitting page of the System Components section in this catalogue.

Page: **133**



Valving Help

See Basic System Set-Up and Valve Information in our 'Yellow Pages'.

Page: **406**