

HYDRAULIC HAND PUMPS



W Single acting



X Double acting

- ✓ **W** series pumps are for use with **Single Acting** cylinders.
- ✓ **X** series pumps are fitted with 4-way 3 position valve for use with **Double Acting** cylinders.
- ✓ The pump range includes single and two speed models.
- ✓ Two speed models provide rapid cylinder advance until contact is made with the load.
- ✓ Hydraulic port on all models is 3/8"-NPTF female.
- ✓ W and X series pumps are fitted with internal safety valves to prevent overpressure.
- ✓ W26507 and X26507 have a rectangular tank.
- ✓ WP21007 and XP21007 models are foot pedal operated.

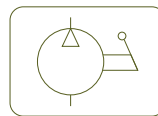


WP21007 pump, foot pedal operated.



W26507, X26507 pumps.



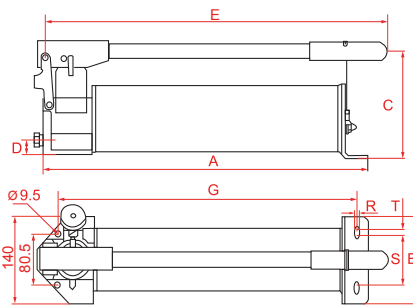
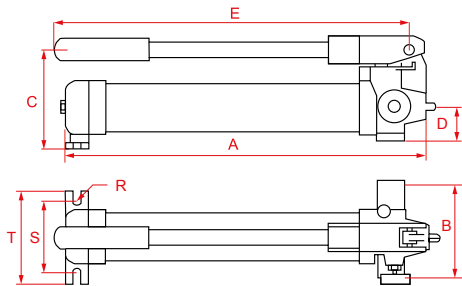


Type	W - X
Capacity	0,28 - 6,5 litres
Max. pressure	700 bar

SINGLE ACTING W

W20307 / W10607 / W20807 / W11407 / W21807

W22607 / W24507

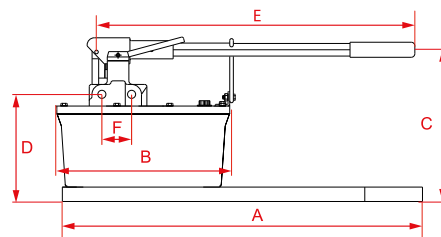
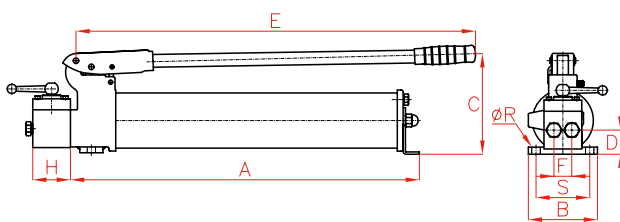


DOUBLE ACTING X

X22607 / X24507

SINGLE / DOUBLE ACTING W - X

W26507 / X26507



SINGLE ACTING

Model	Speeds	Usable oil	Handle effort	Oil displacement / stroke (cm ³)		Pressure rating (bar)		A	B	C	D	E	G	R	S	T	Weight	Model
LARZEP	No.	cm ³	kg	1 st Stage	2 nd Stage	1 st Stage	2 nd Stage	mm	mm	mm	mm	mm	mm	mm	mm	mm	kg	LARZEP
W20307	2	280	40	7	1,0	20	700	331	138	124	44	380	-	7	38	66	5,5	W20307
W10607	1	640	43	-	3,2	-	700	557	137	144	55	608	-	-	-	90	7,3	W10607
W20807	2	640	45	13	2,8	17	700	563	137	144	55	608	-	-	-	90	8,2	W20807
WP21007	2	1.000	43	12	2,0	50	700	550	176	445*	52	540	-	9,0	185,0	176	9,0	WP21007
W11407	1	1.400	43	-	3,2	-	700	526	137	174	55	608	-	-	-	106	10,9	W11407
W21807	2	1.800	49	13	2,8	21	700	548	147	174	23	558	-	10,5	82,0	140	11,3	W21807
W22607	2	2.600	41	46	4,0	28	700	656	140	186	41	680	616	10,5	80,5	10	12,7	W22607
W24507	2	4.450	43	46	4,0	28	700	574	146	189	41	643	528	10,5	80,5	10	18,1	W24507
W26507	2	6.500	37	126	4,9	28	700	635	312	233	191	640	-	-	-	-	20,0	W26507

* with the pedal completely open.

DOUBLE ACTING

Model	Speeds	Usable oil	Handle effort	Oil displacement / stroke (cm ³)		Pressure rating (bar)		A	B	C	D	E	F	H	R	S	Weight	Model
LARZEP	No.	cm ³	kg	1 st Stage	2 nd Stage	1 st Stage	2 nd Stage	mm	mm	mm	mm	mm	mm	mm	mm	mm	kg	LARZEP
XP21007	2	1.000	43	12,0	2,0	50	700	550	176	445*	52	540	-	-	9,0	185	9,0	XP21007
X22607	2	2.600	41	46,0	4,0	27	700	654	140	186	54	680	-	125	9,5	80,5	14,3	X22607
X24507	2	4.450	43	46	4,0	27	700	570	150	189	41	643	110	130	10,5	99,5	19,6	X24507
X26507	2	6.500	37	126,0	4,9	28	700	635	312	233	193	644	70	-	-	-	20,8	X26507